



(Moving) Cute acrobat puppies : Assembly Instructions

© Canon Inc. © Hideharu Naitoh & G&P



CREATIVE PARK

<http://www.canon.com/c-park/>

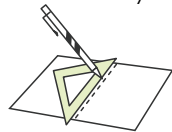


View of completed model

* When you move the lever under the frame, 6 puppies will show you cute acrobat stunts.

Assembly Instructions : Ten A4 sheets (No. 1 to No. 10)

* Build the model by carefully reading the Assembly Instructions , in the parts sheet page order.



*Hint: Trace along the folds with a ruler and an exhausted pen (no ink) to get a sharper, easier fold.

Assembly Instructions



Mountain fold(dotted line)
Make a mountain fold.



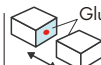
Valley fold(dashed and dotted line)
Make a valley fold.



Scissors line(solid line)
Cut along the line.



Cut in line(solid line)
Cut along the line.



Glue
The glue spot(colored dot) shows where to apply the glue.



Glue spot(Red dot)
Glue parts with the same number together.



Glue spot(Green dot)
Glue within the same part.



Glue spot(Blue dot)
Glue to the rear of the other part.

Tools and materials



Scissors, set square, glue(We recommend stick glue), pencil, used ballpoint pen, toothpicks, tweezers, (useful for handling small parts)

Assembly tip



Before gluing, crease the paper along mountain fold and valley fold lines and make sure rounded sections are nice and stiff.

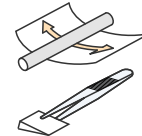
Caution



Glue, scissors and other tools may be dangerous to young children so be sure to keep them out of the reach of young children.

Before starting assembly : Writing the number of each section on its back side before cutting out the sections is highly recommended. (* This way, you can be sure which section is which even after cutting out the sections.)

- Indicates where sections should be glued together.
- Indicates where to insert sections. Do not glue the sections together.
- Indicates the order for assembling parts.



Round bar : Use to give parts a curved surface.

Tweezers : Useful in working with fine parts.

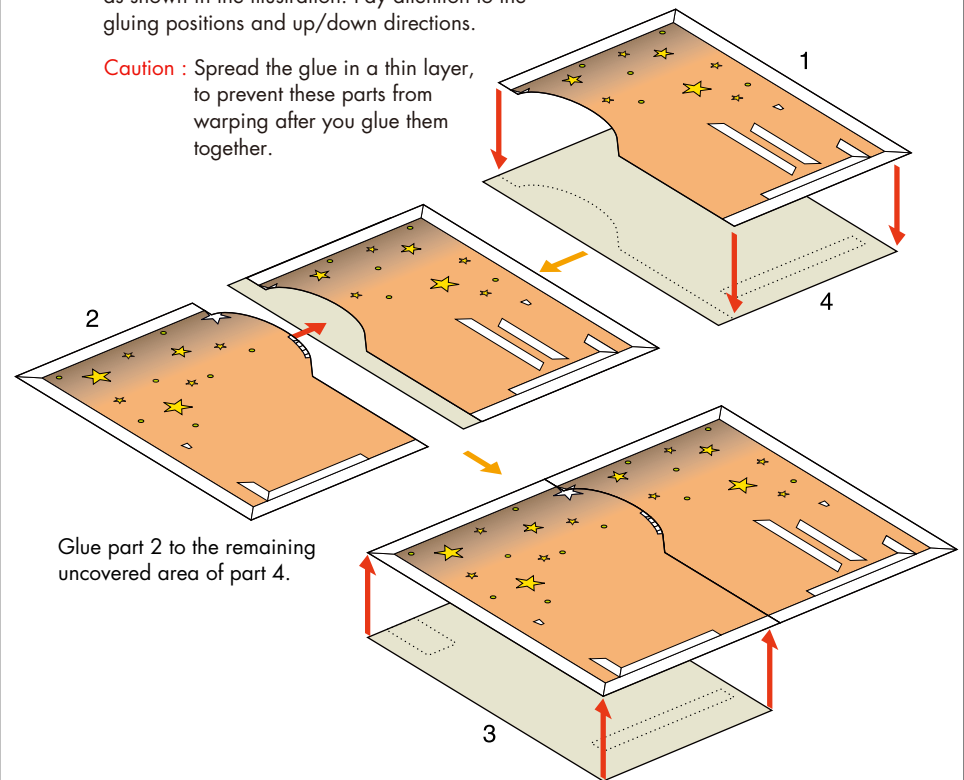


Be sure to build this model carefully.



Glue the entire rear sides of Part 1 and Part 4 as shown in the illustration. Pay attention to the gluing positions and up/down directions.

Caution : Spread the glue in a thin layer, to prevent these parts from warping after you glue them together.



Glue part 2 to the remaining uncovered area of part 4.

Glue the rear sides of part 2 and part 3 to each other, lining these parts up.

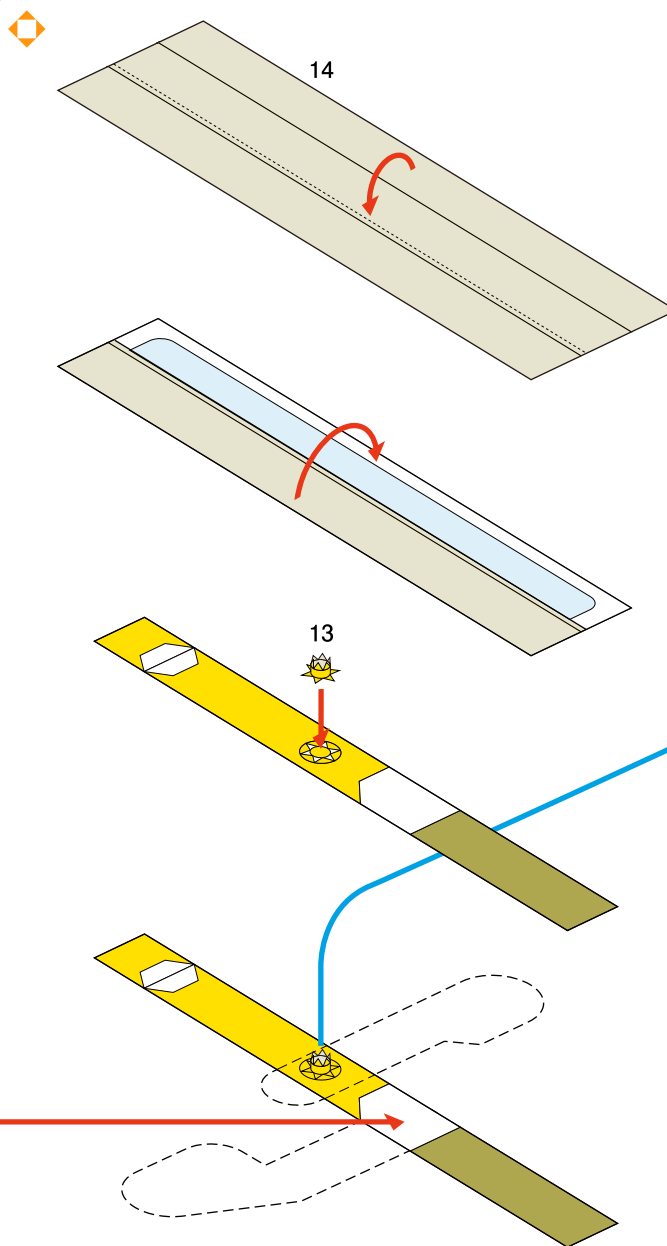
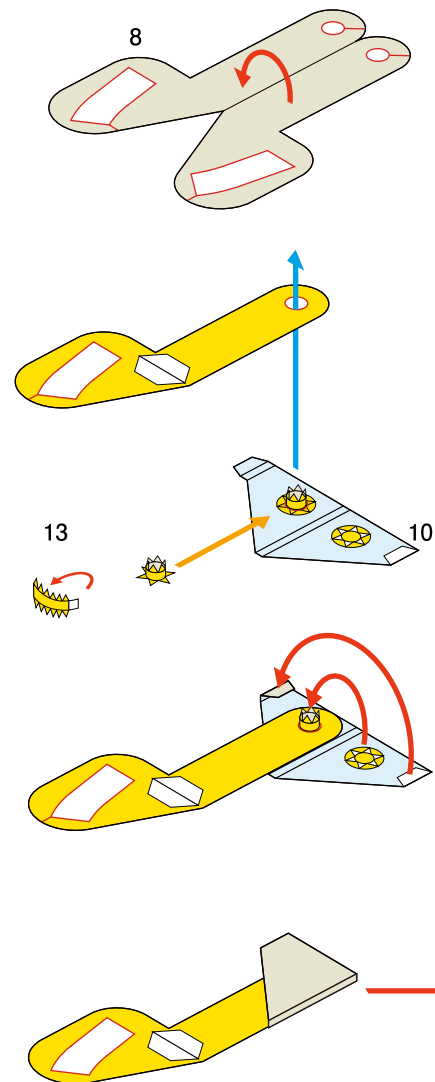


(Moving) Cute acrobat puppies : Assembly Instructions

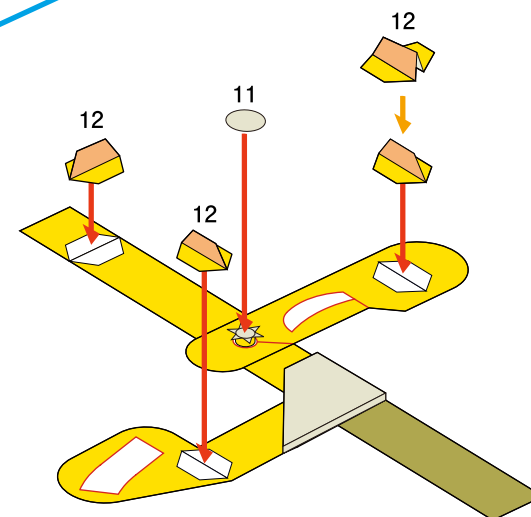
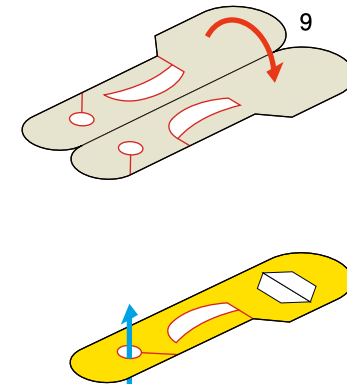
© Canon Inc. © Hideharu Naitoh & G&P

Canon

Caution : Spread glue in a thin, even layer before gluing surfaces together.



Caution : Cut the holes in Part 9 smoothly with no ragged edges.

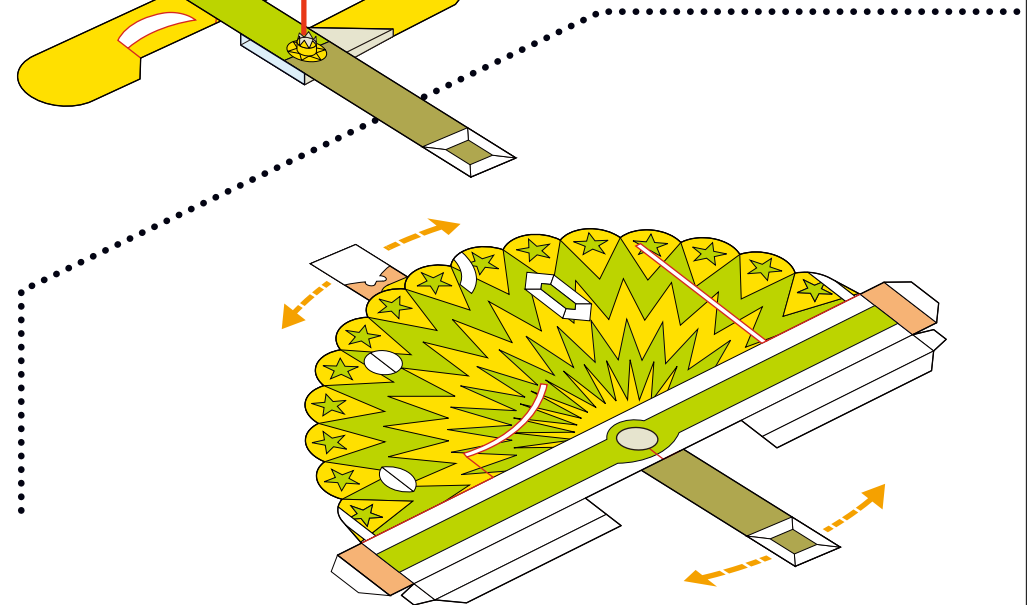
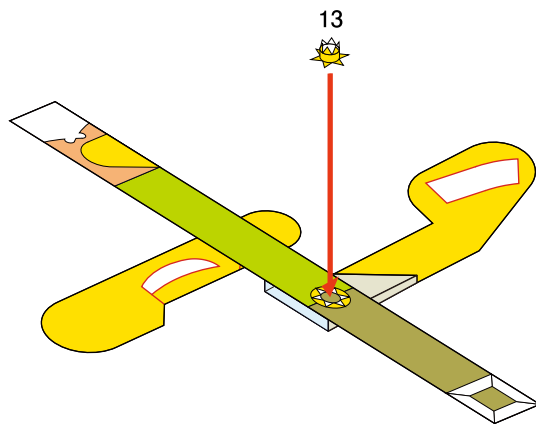
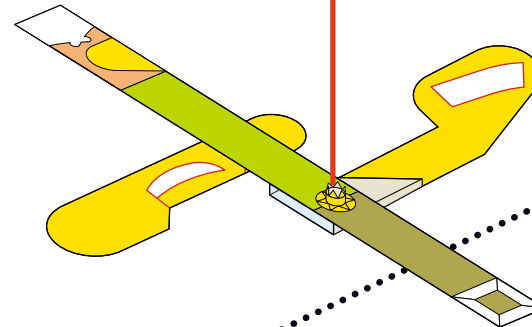
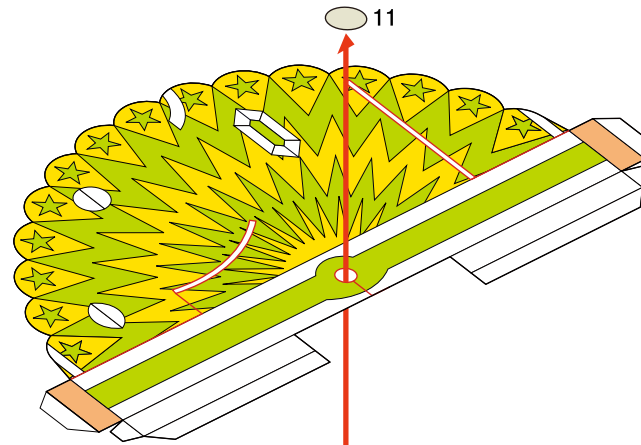
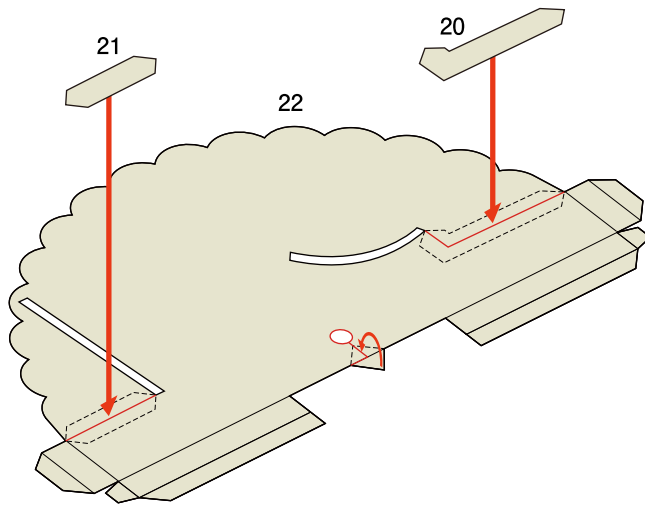




(Moving) Cute acrobat puppies : Assembly Instructions

© Canon Inc. © Hideharu Naitoh & G&P

Canon



Move the lever left and right to check the movement.



(Moving) Cute acrobat puppies : Assembly Instructions

19

Make two sets.

18

Flip to the surface and open the Parts 18 and 19 as shown in the illustration.

Parts 18 and 19

Insert Parts 18 and 19 into the holes on Parts 8 and 22 from the rear side.

Insert Parts 18 and 19 into the holes on Parts 9 and 22 from the rear side.

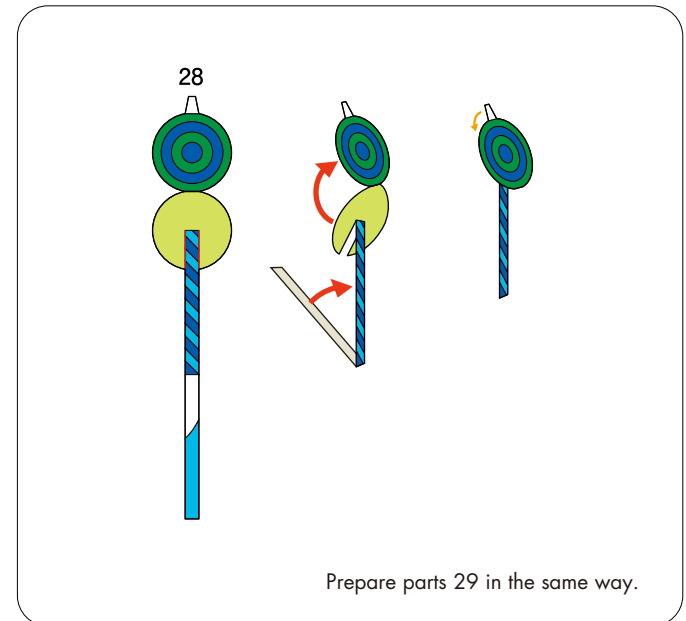
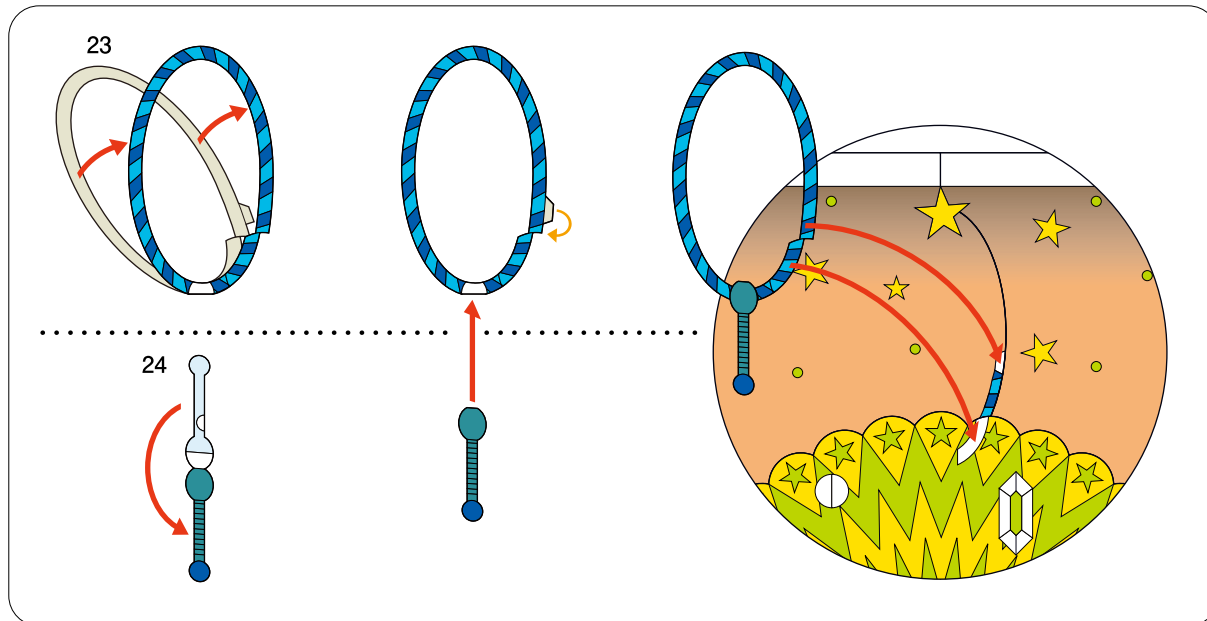
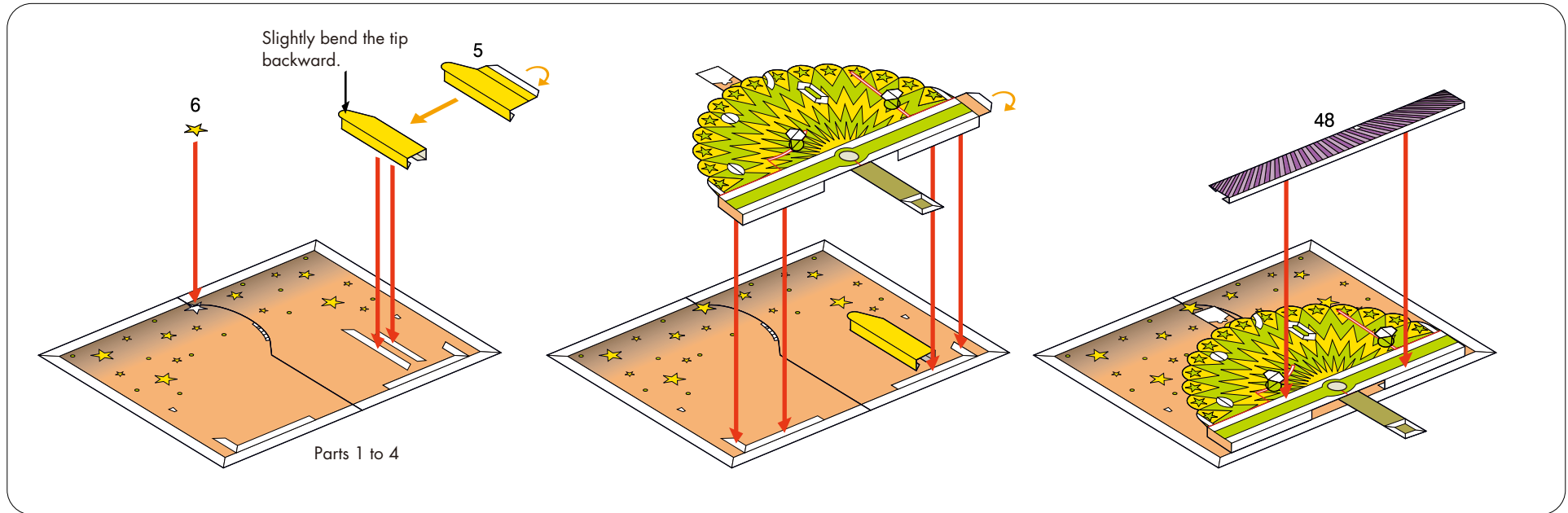
Slowly move the lever to left and right to check the overall actions.



(Moving) Cute acrobat puppies : Assembly Instructions

© Canon Inc. © Hideharu Naitoh & G&P

Canon

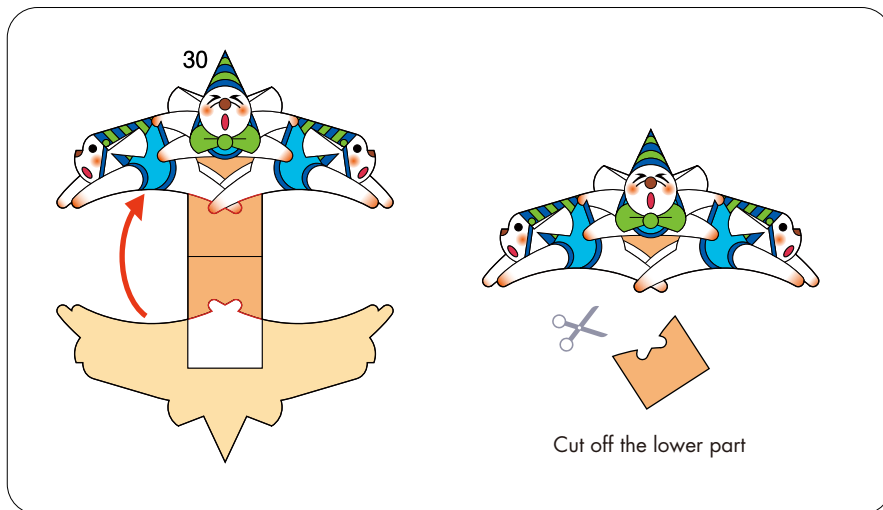
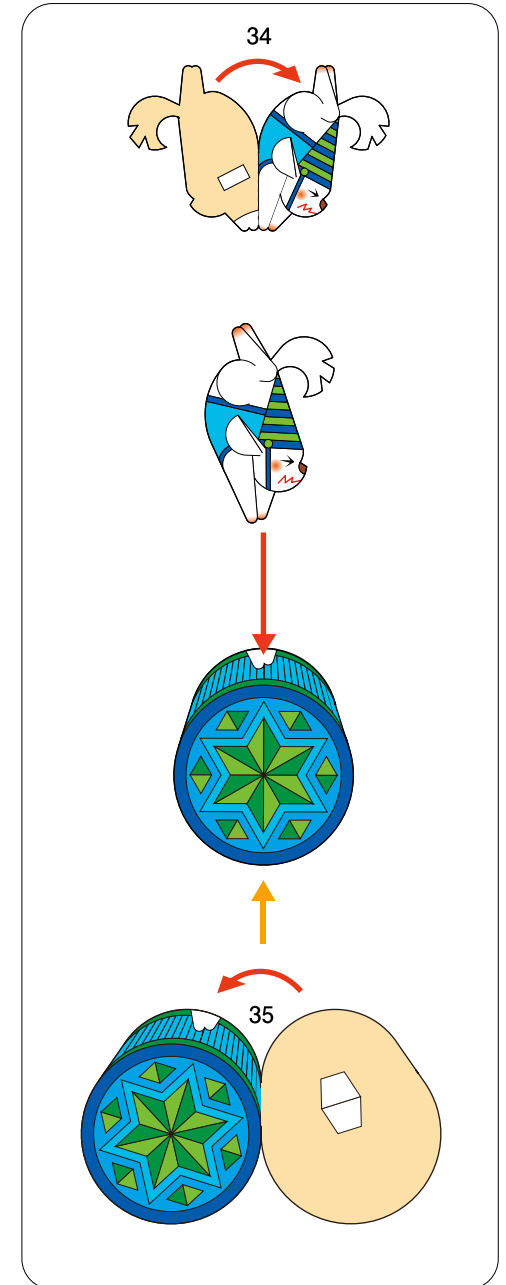
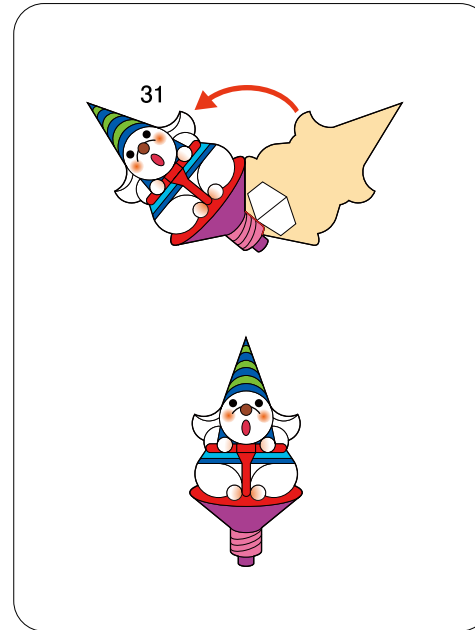
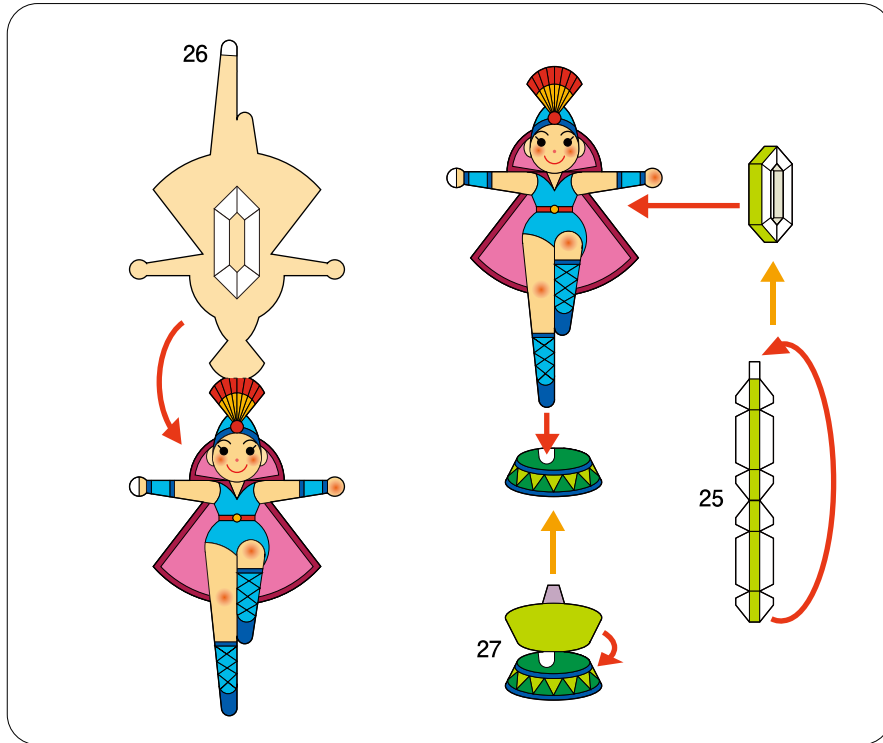




(Moving) Cute acrobat puppies : Assembly Instructions

© Canon Inc. © Hideharu Naitoh & G&P

Canon

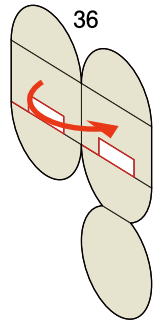




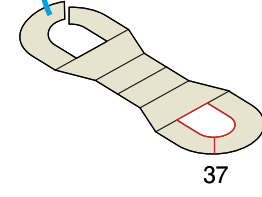
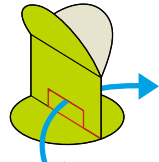
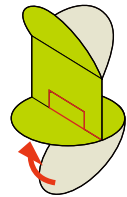
(Moving) Cute acrobat puppies : Assembly Instructions

© Canon Inc. © Hideharu Naitoh & G&P

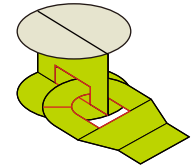
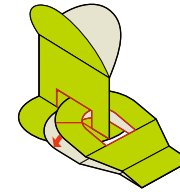
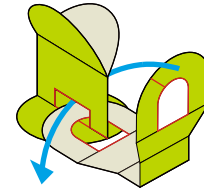
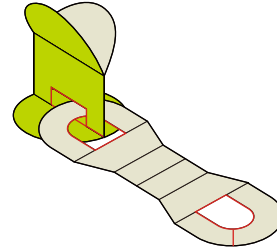
Canon



36



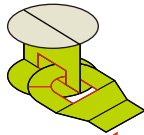
37



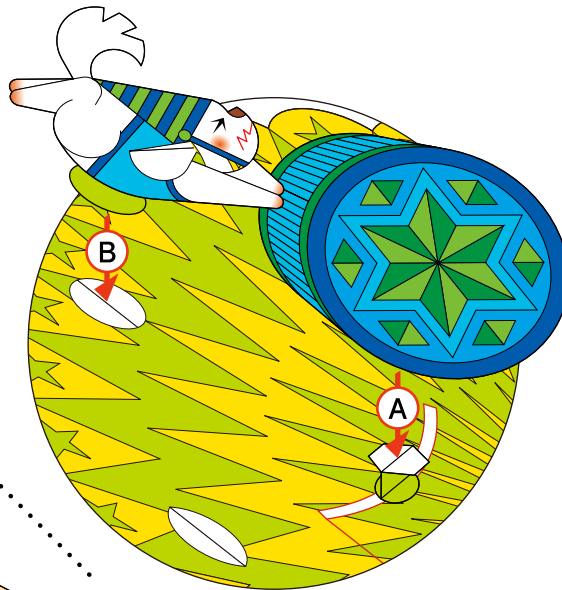
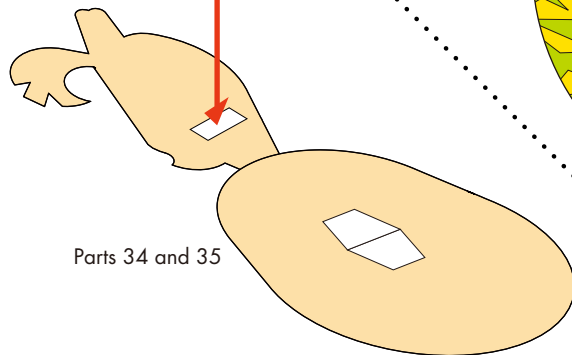
Caution : Before gluing, check the direction of the Part 37.



Parts 36 and 37

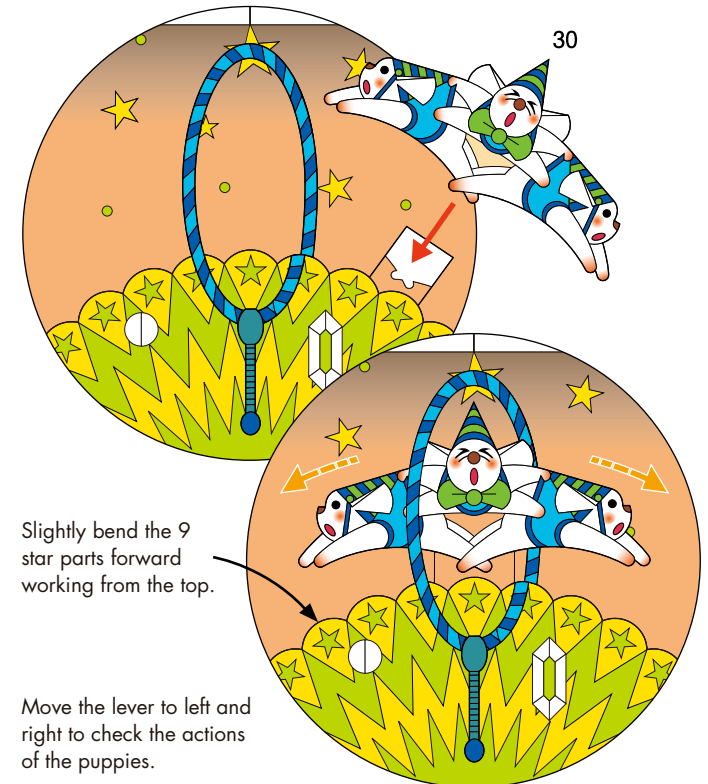


Parts 34 and 35



Glue part A first. Then glue the part B.

Caution : Make sure the gluing parts do not shift.



30

Slightly bend the 9 star parts forward working from the top.

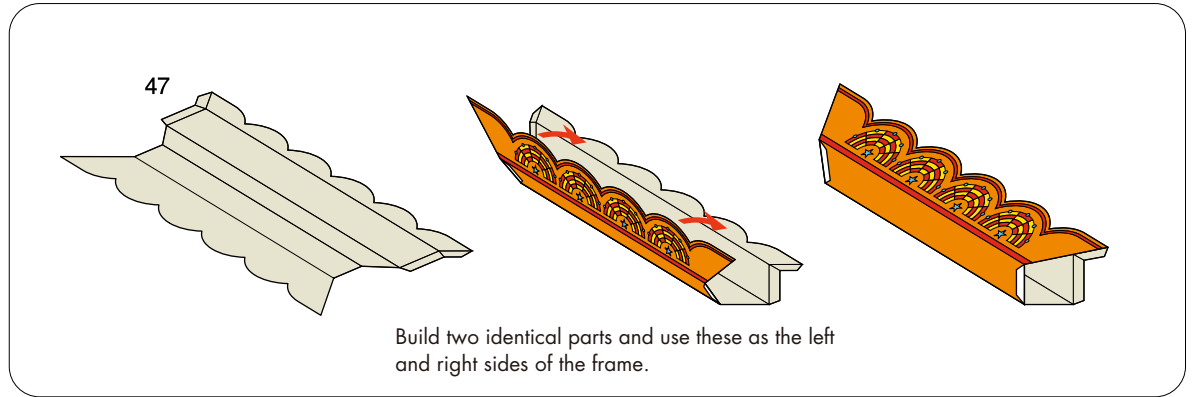
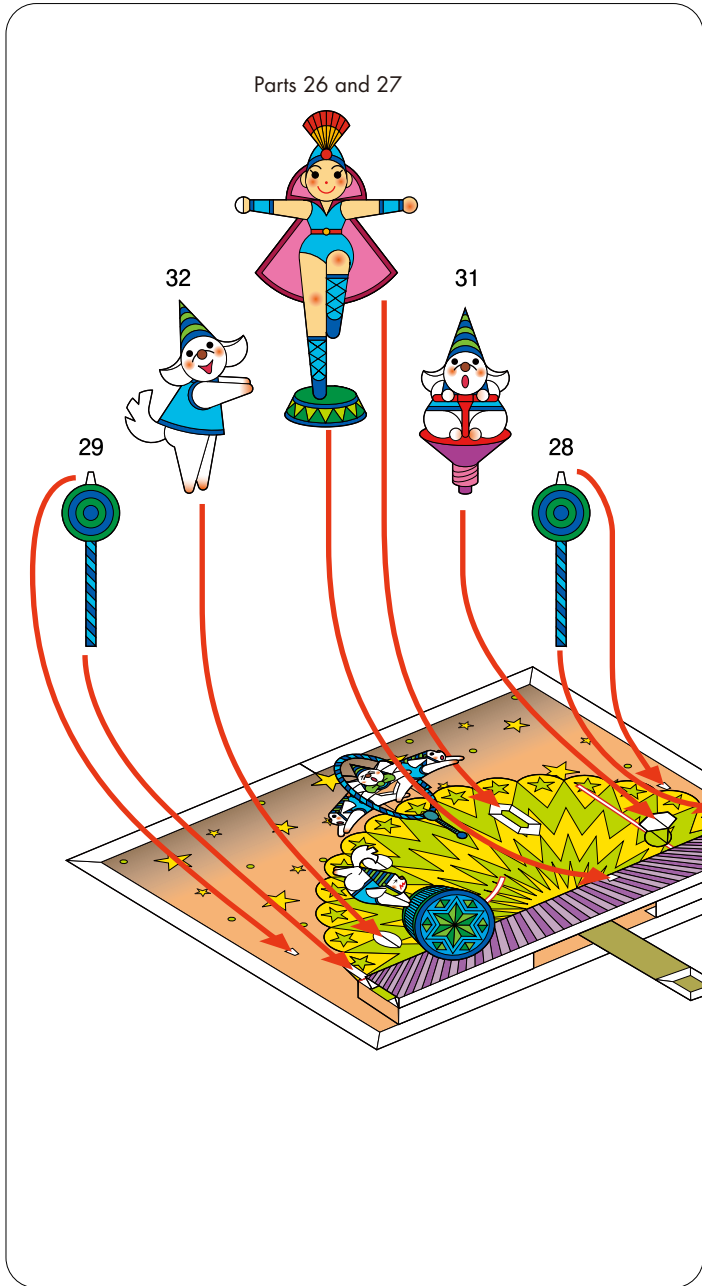
Move the lever to left and right to check the actions of the puppies.



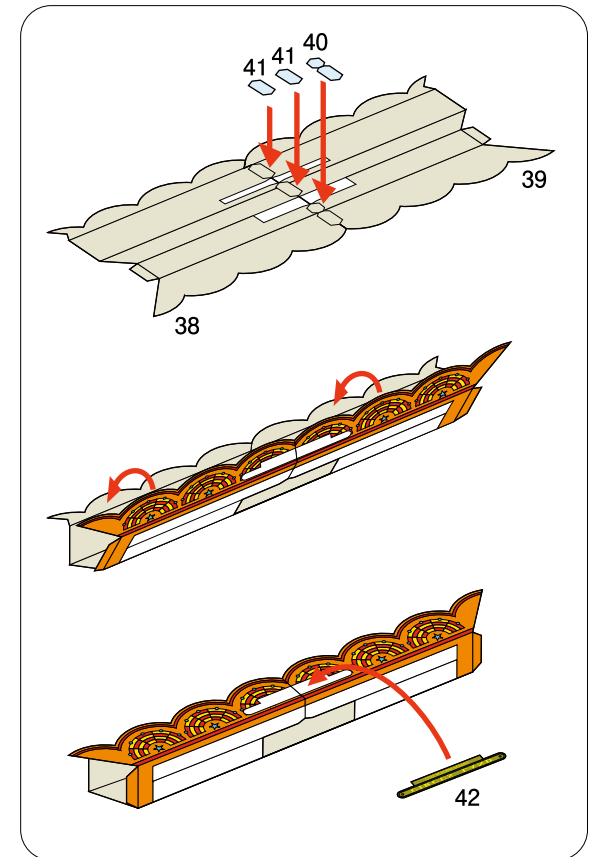
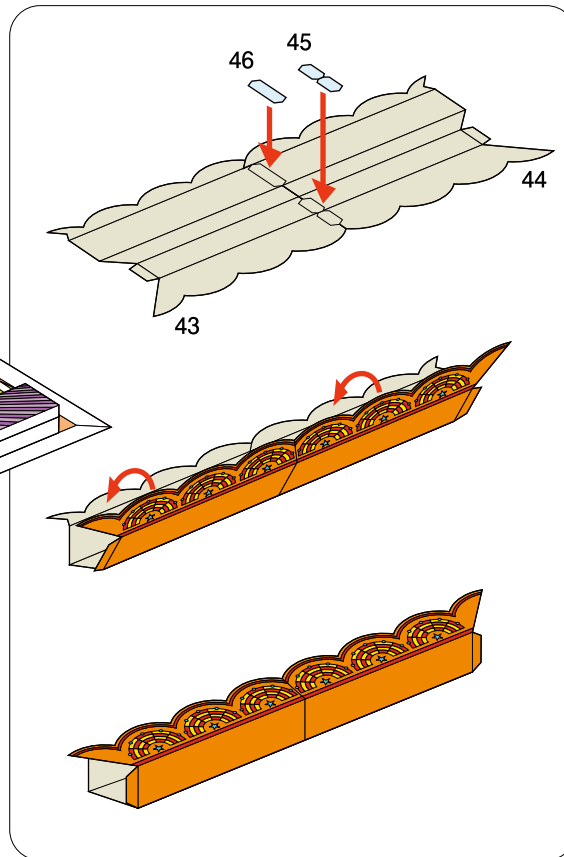
(Moving) Cute acrobat puppies : Assembly Instructions

© Canon Inc. © Hideharu Naitoh & G&P

Canon



Build two identical parts and use these as the left and right sides of the frame.

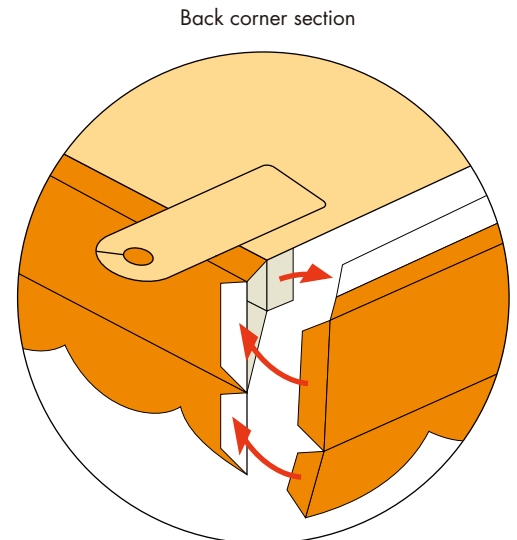
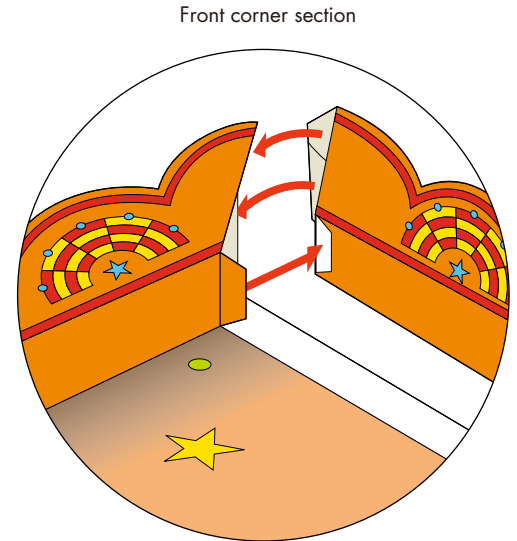
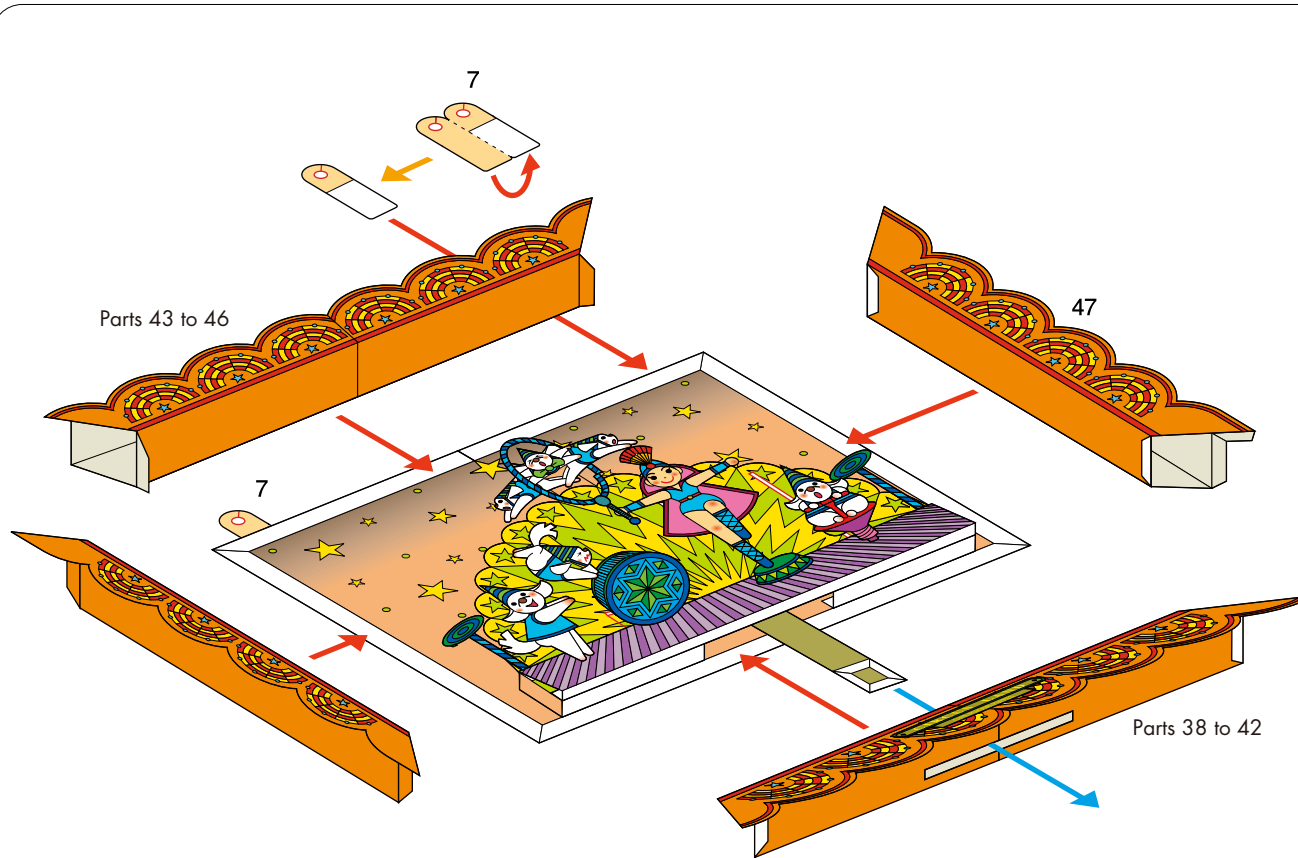




(Moving) Cute acrobat puppies : Assembly Instructions

© Canon Inc. © Hideharu Naitoh & G&P

Canon



First, put the lever to the lower frame and securely glue on the base sheet, and then glue on the bottom of the pasting margins of Parts 38, 39 and 48. Next, glue on the both side frames, and then glue on the upper frame.

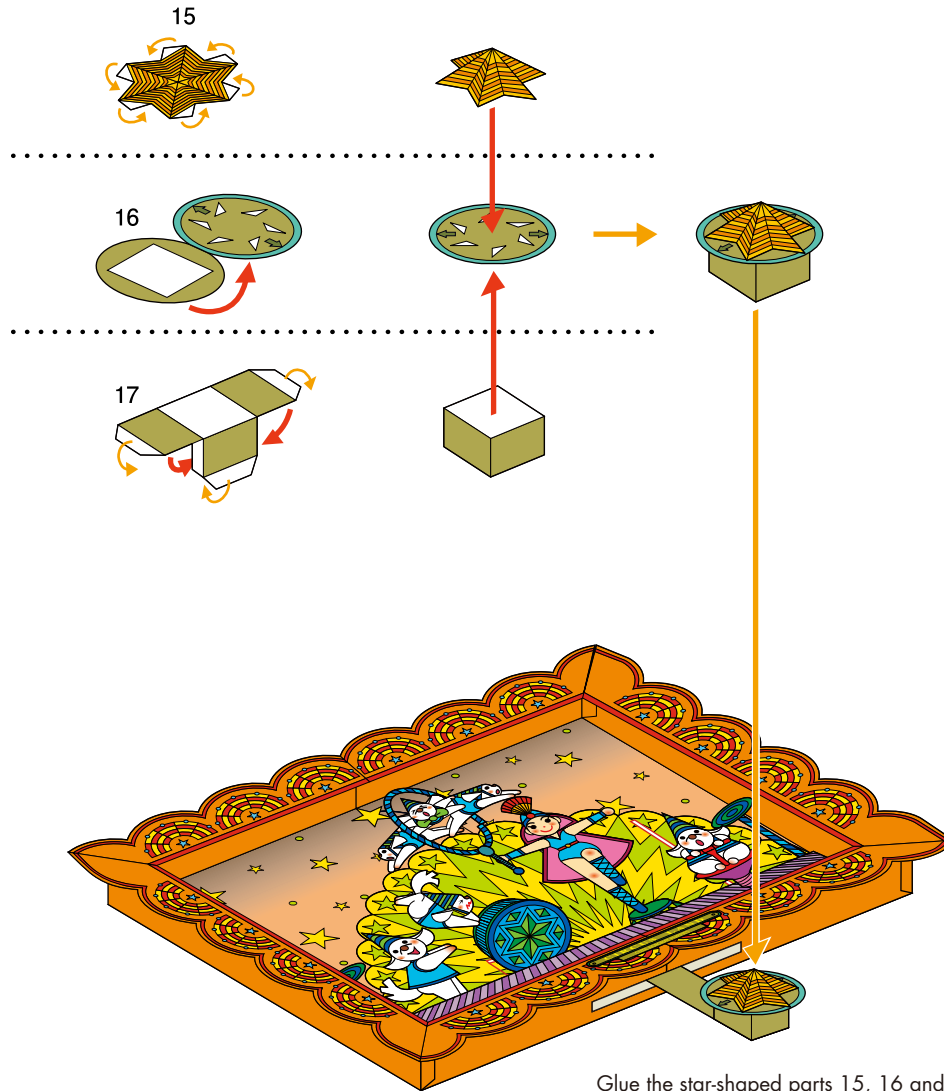
Caution : Work on a flat surface to prevent the frames from warping.



(Moving) Cute acrobat puppies : Assembly Instructions

© Canon Inc. © Hideharu Naitoh & G&P

Canon



Glue the star-shaped parts 15, 16 and 17 to the bottom of the lever to finish.

Finished!

