



## Air Tahiti Nui AIRBUS A340-300



This Air Tahiti Nui AIRBUS A340-300 is a model based on the AIRBUS A340-300 airplane which connects Tahiti and Tokyo's Narita airport, from the French Polynesian airline Air Tahiti Nui. The tail is decorated with a picture of a pure white Tiare flower, the national flower of Tahiti, and each plane is named after one of Tahiti's islands, with names such as "The Bora Bora." Onboard, flight attendants welcome passengers with the wonderful hospitality Tahitian people are known for.

The AIRBUS A340-300 measures 63.7m in length, with a wingspan of 60.3m and a height of 16.91m. It has a maximum weight of 275.0 tons, and a flight distance of 10,400km.

Front



Over look



Side



Underside



Completed Model (Total length) About 575mm (Scale - About 1:120)  
(Total width) About 510mm  
Pattern 18 pages  
Assembly Instructions 16 pages

This model was designed for Papercraft and may differ from the original in some respects.  
\*Build the model by carefully reading the Assembly Instructions, in the parts sheet page order.

### Assembly Process

Attach the parts in order.  
A1~Q3 No. of Parts

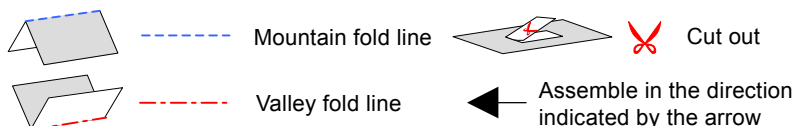
**\*Glue, scissors and other tools may be dangrous to young children so be sure to keep them out of the reach of young children.**

### Assembly Tip

- Small pieces will be easier to cut out if you fold along the lines first. Cut them out after you have folded them.
- Before gluing each piece, be sure to compare its shape to the corresponding surface to ensure it is the correct piece.

### Folds & Marks

Trace along the folds with a ruler and a used pen (no ink) to get a sharper, easier fold.



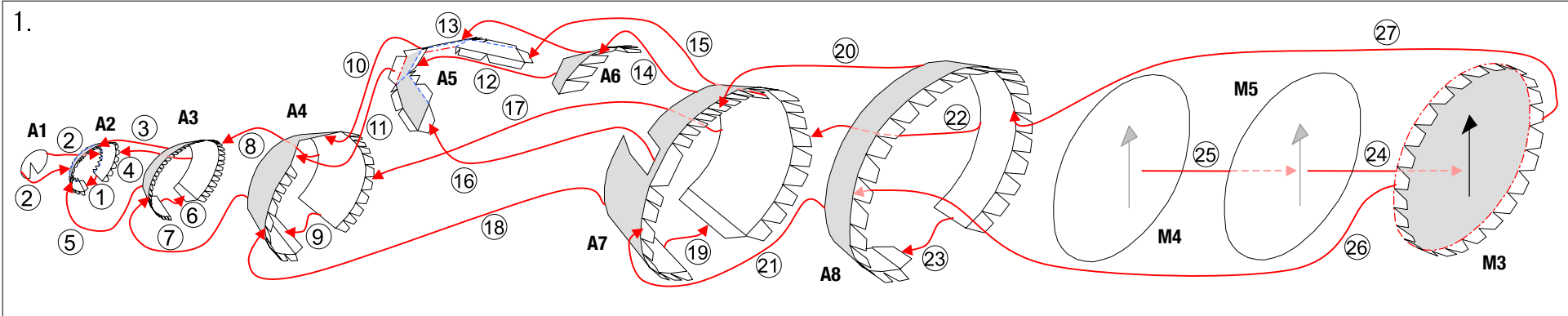
### Glue spot

Each glue spot has a mark indicating how to attach it.

- Yellow circle: Glue to the front of the other part
- Blue circle: Glue to the rear of the other part
- Green triangle: Glue within the same part
- Red square: Glue the rear of this part

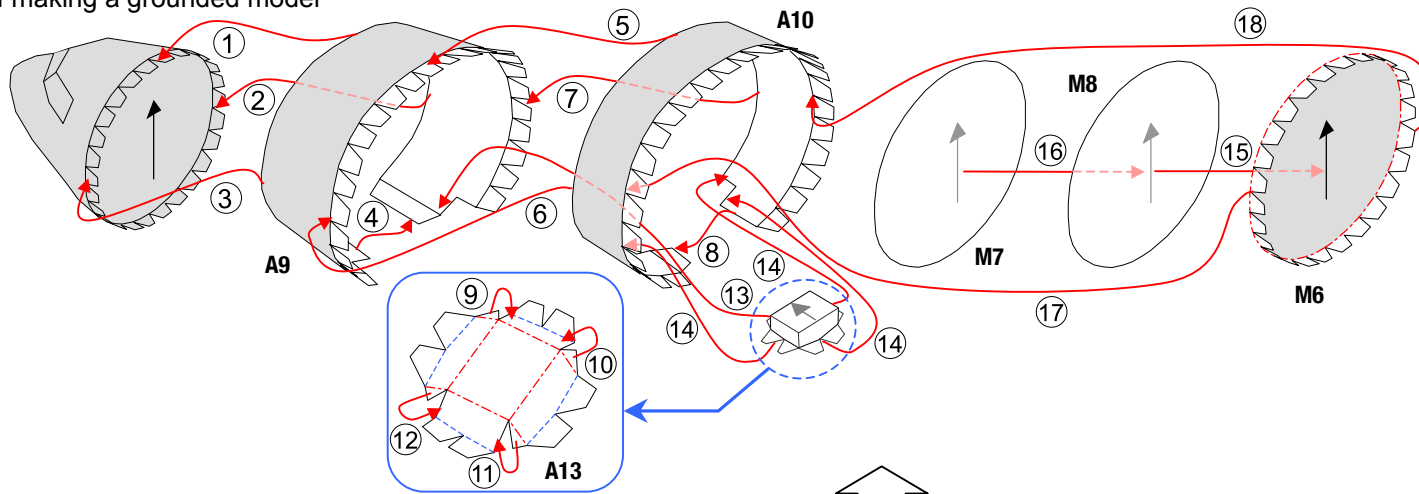
### Tools

Scissors, glue (We recommend craft glue), ruler, tweezers, stencil pen, used pen (no ink).

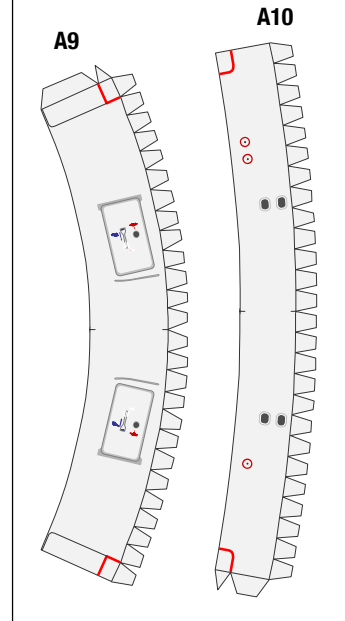


2. Choose whether to make a grounded model or in-flight model.

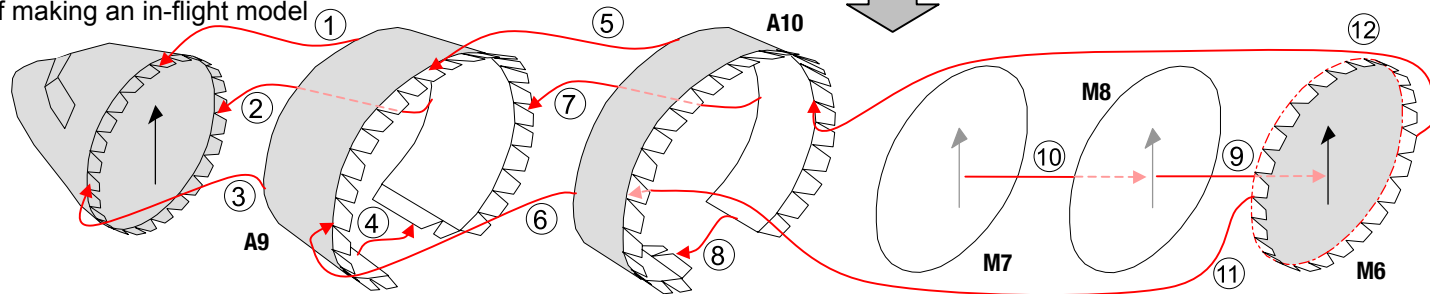
If making a grounded model

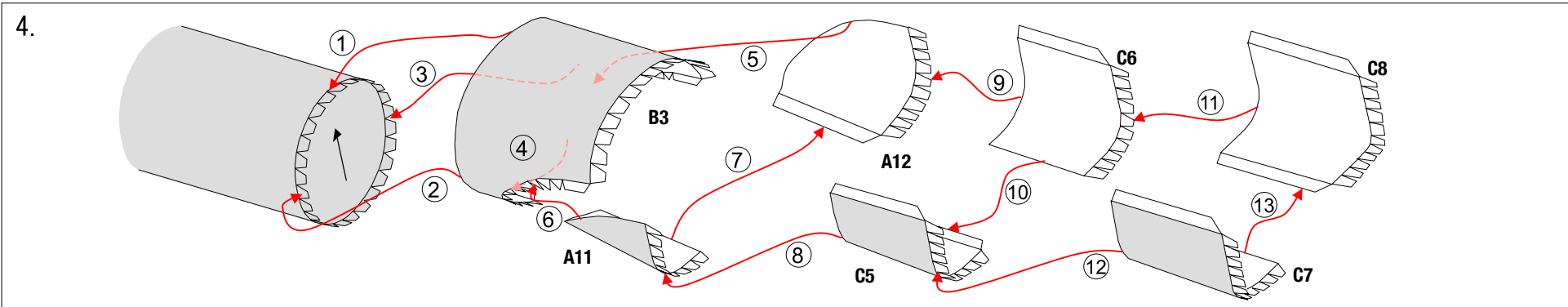
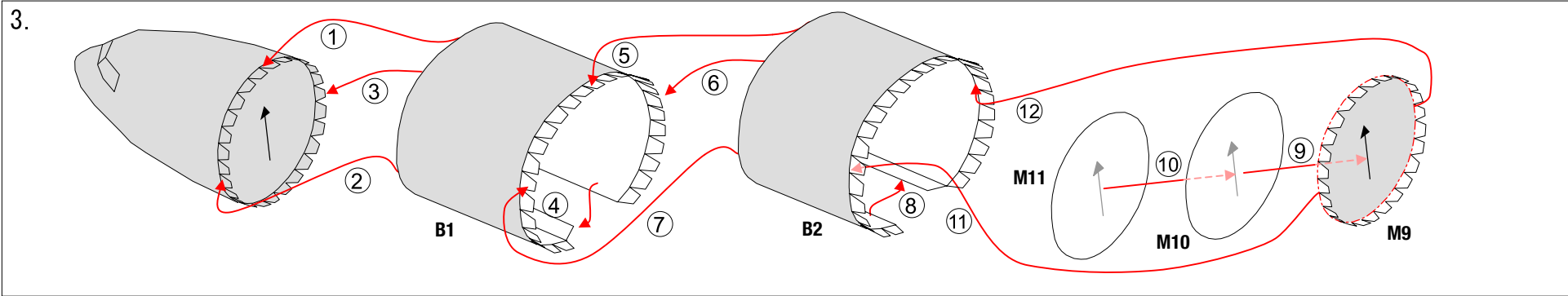


Cut out the parts indicated in red before use



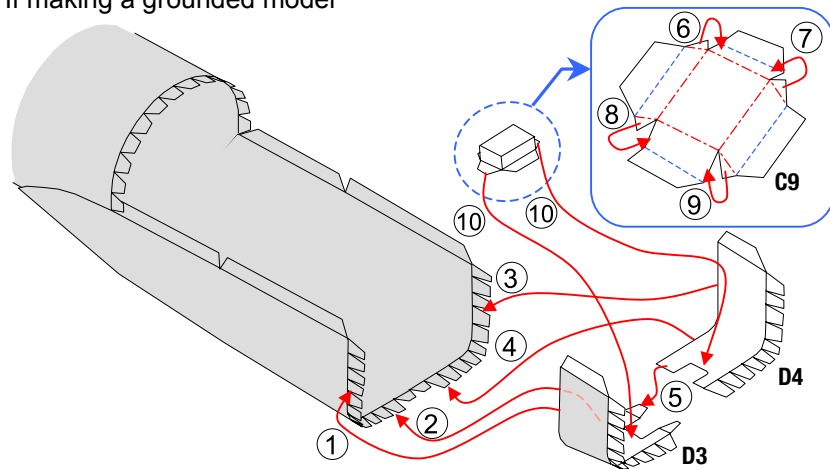
If making an in-flight model



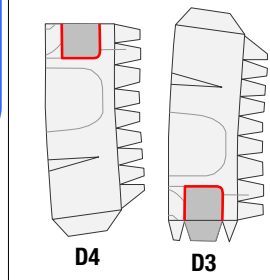


5. Choose whether to make a grounded model or in-flight model.

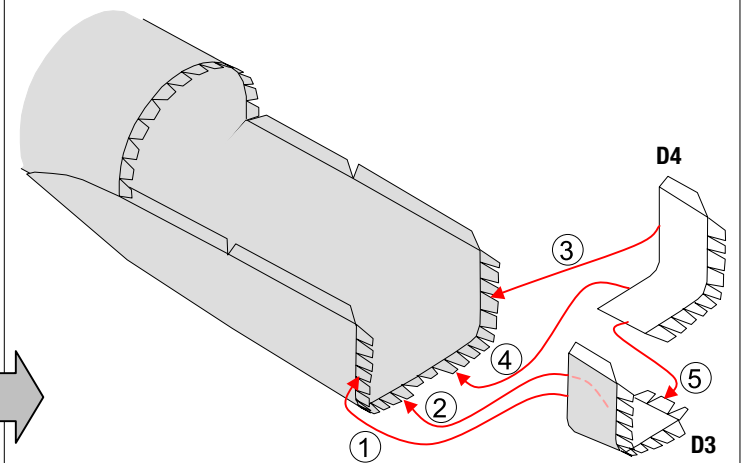
If making a grounded model



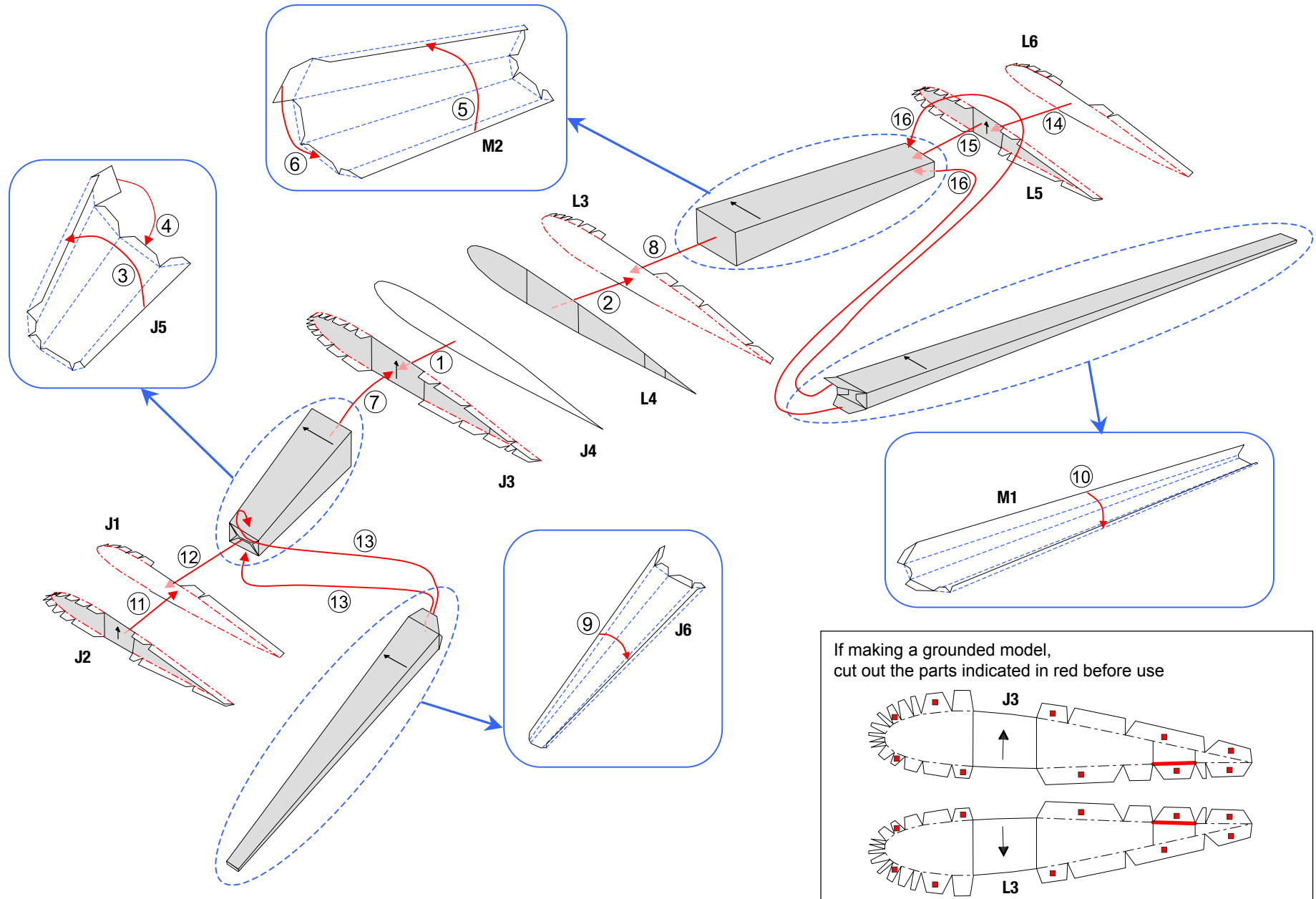
Cut out the parts indicated in red before use



If making an in-flight model

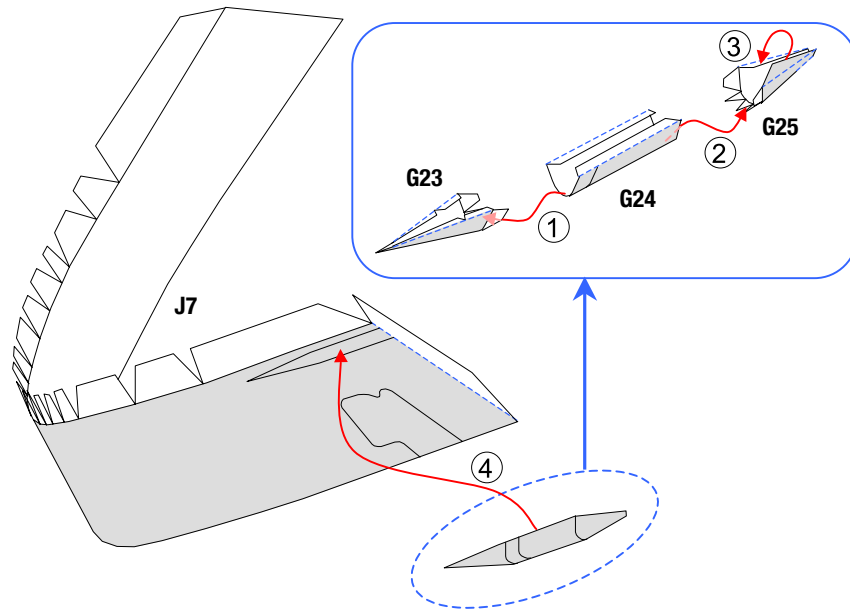
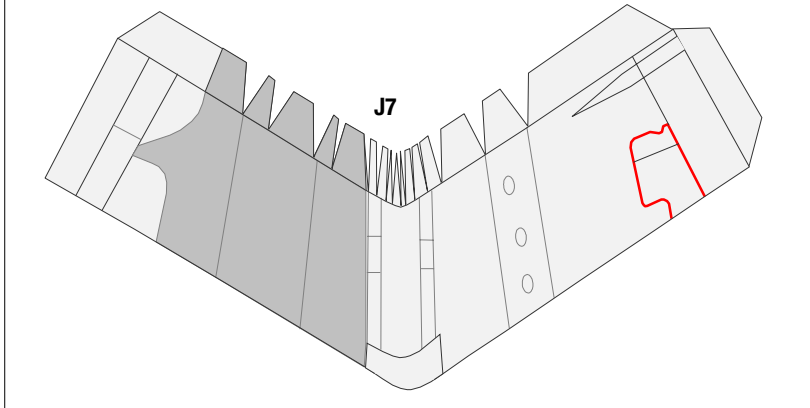


6.

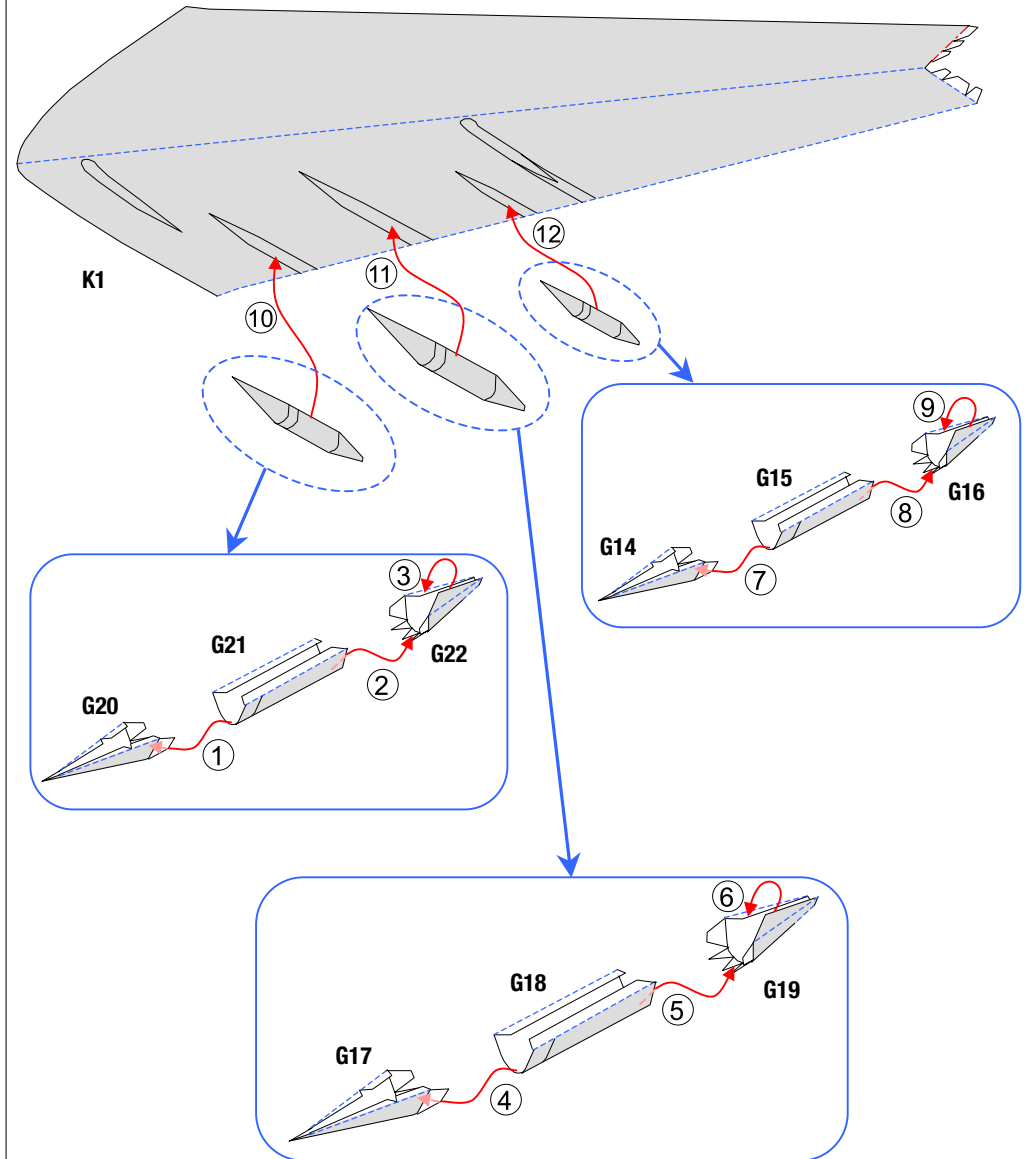


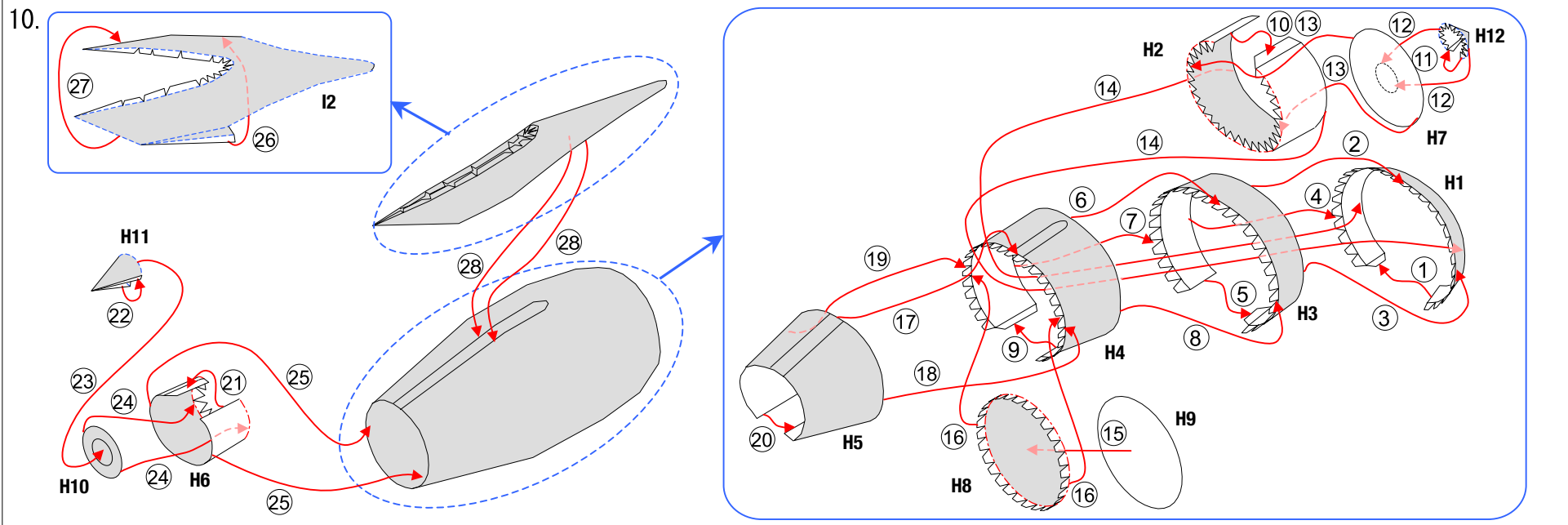
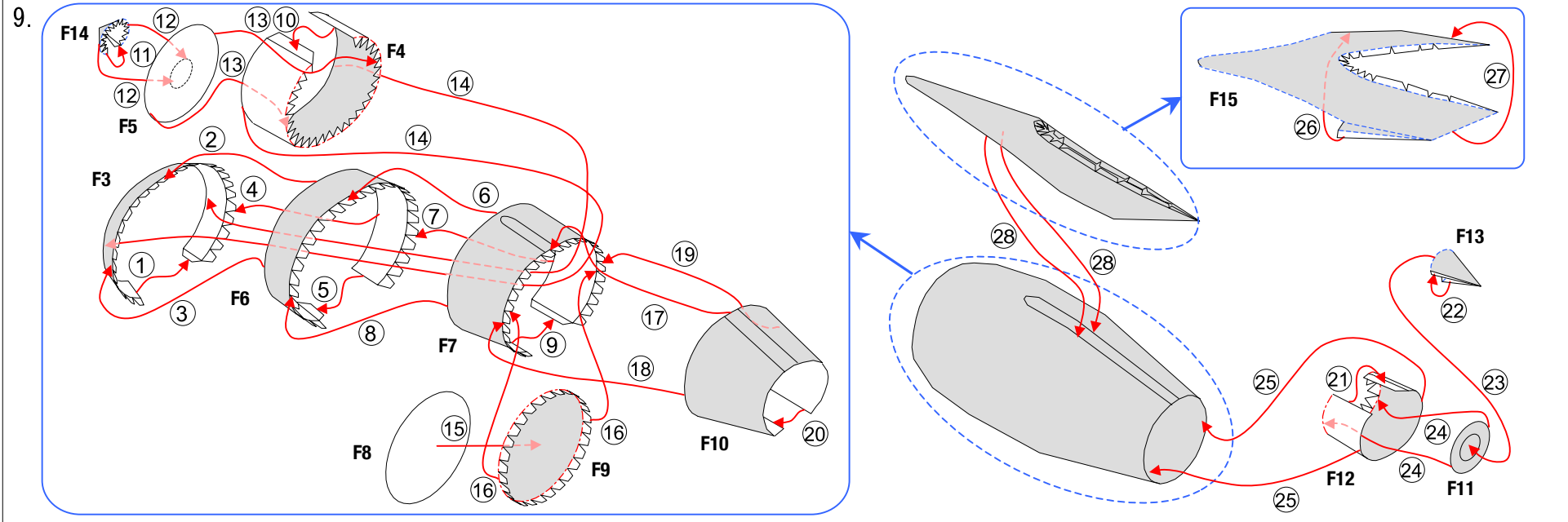
7.

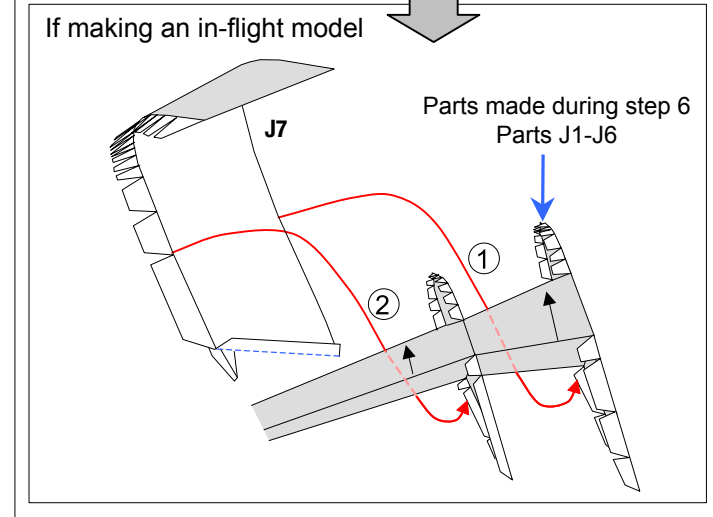
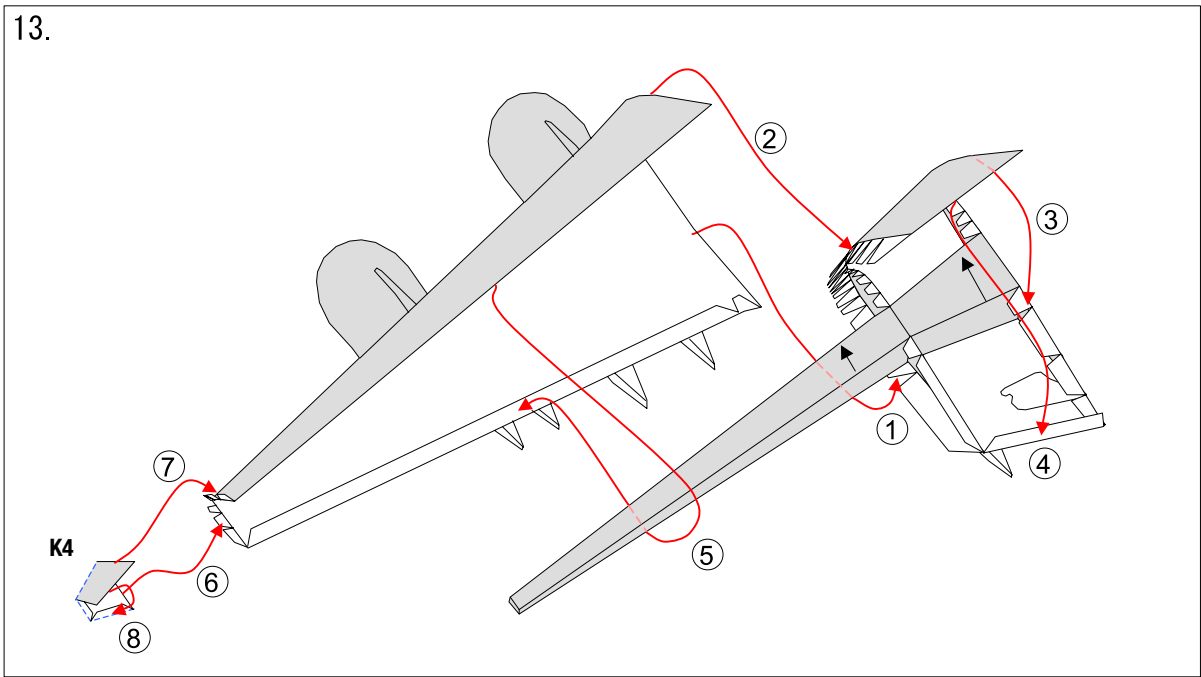
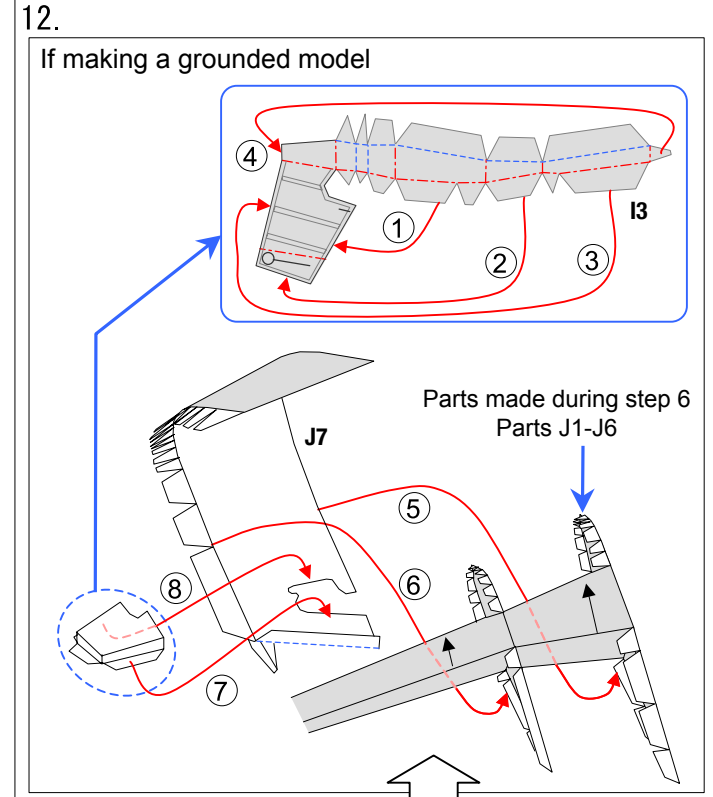
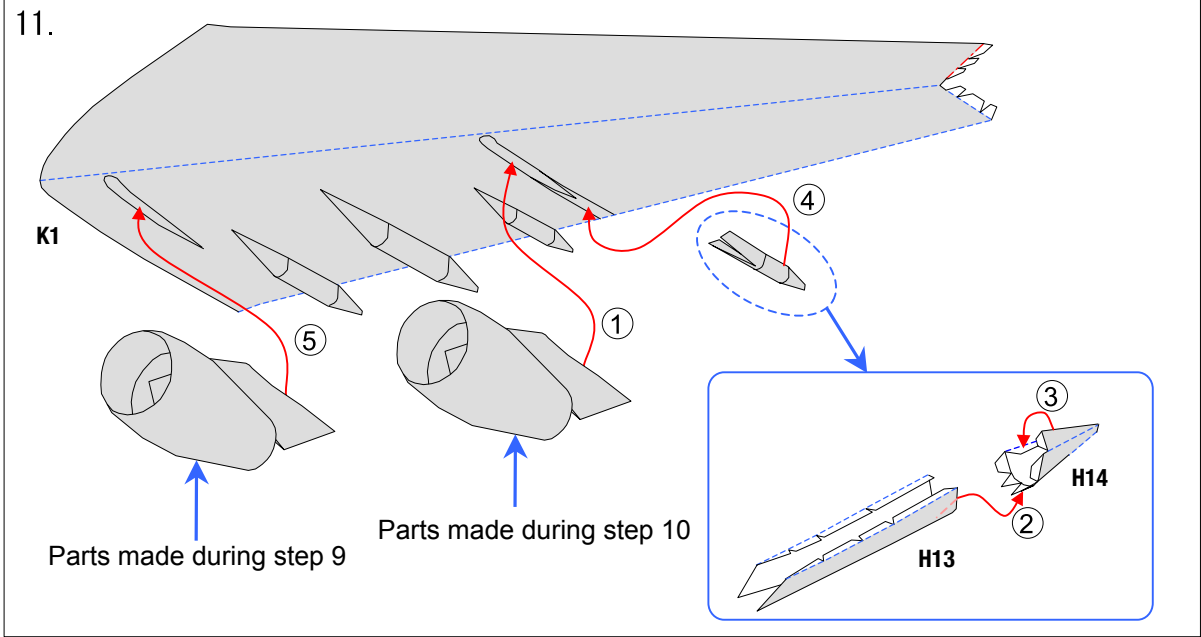
If making a grounded model, cut out the parts indicated in red before use



8.

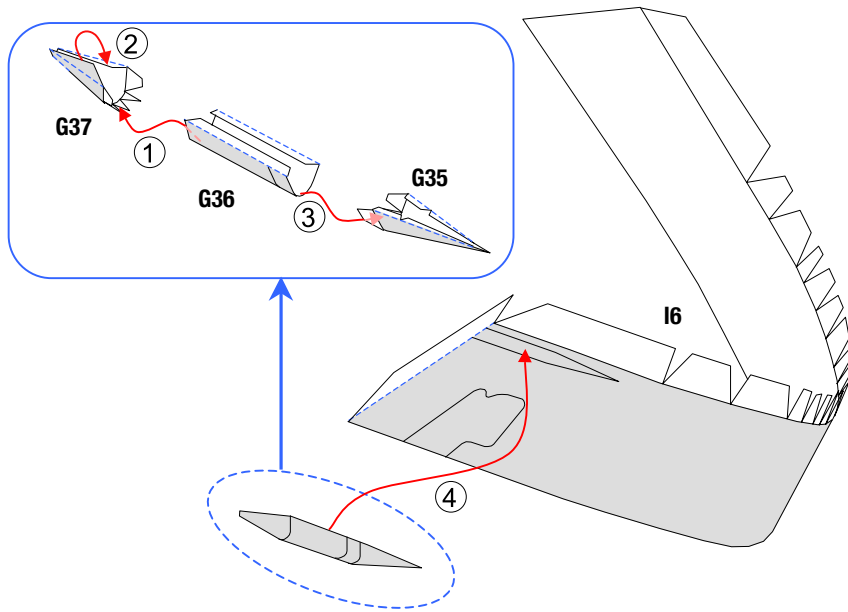
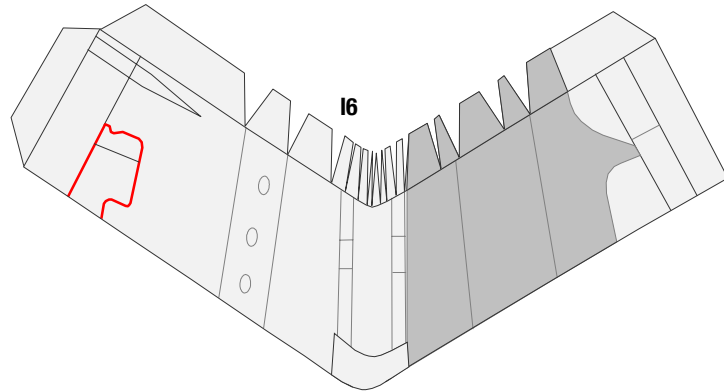




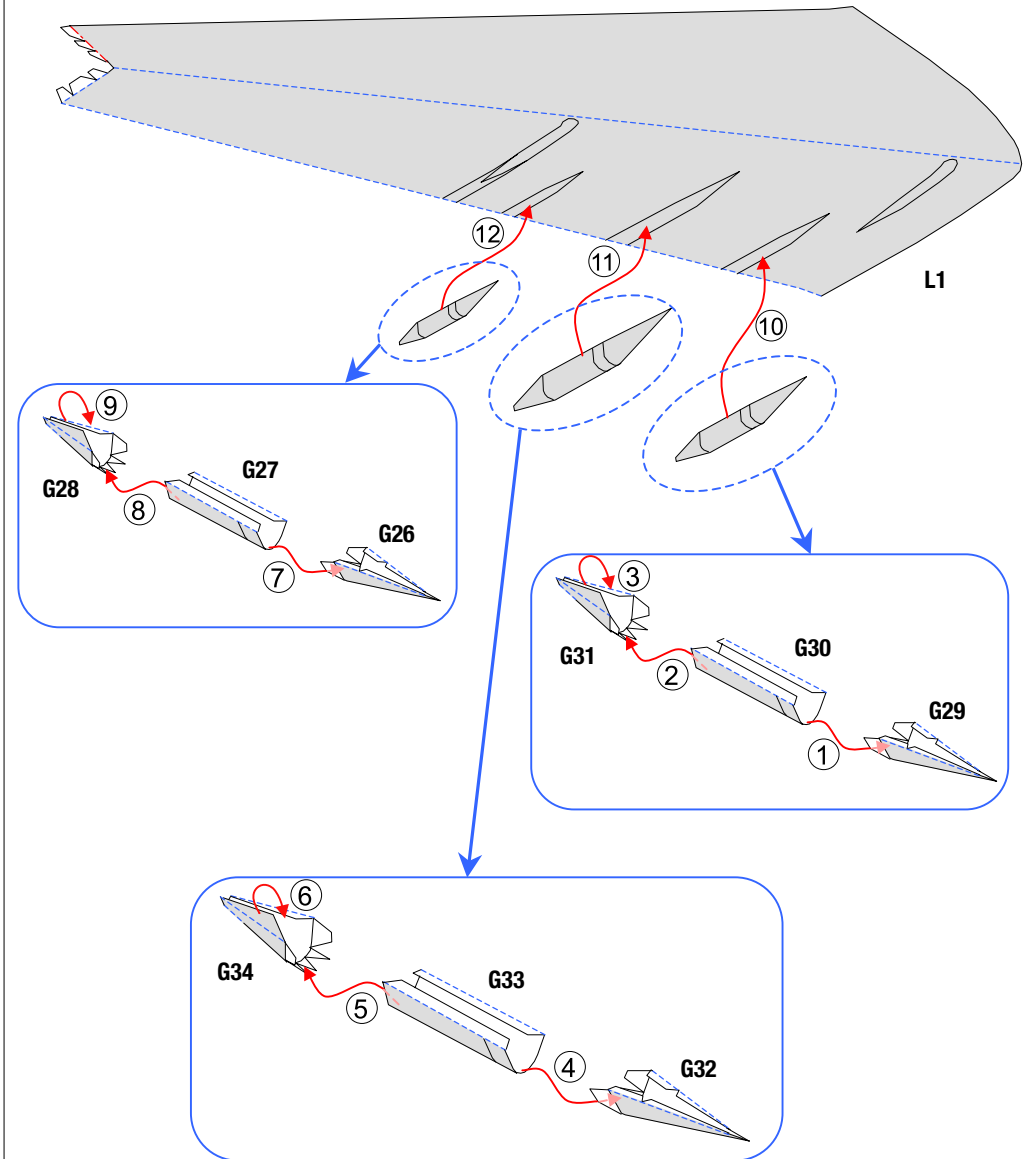


14.

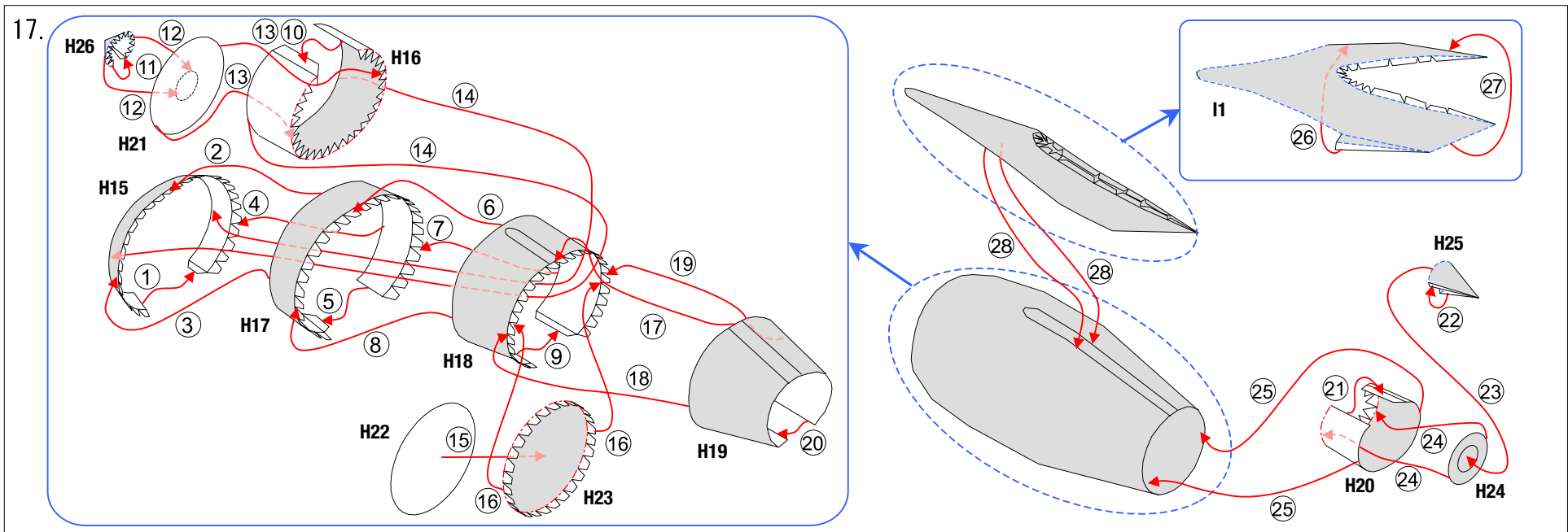
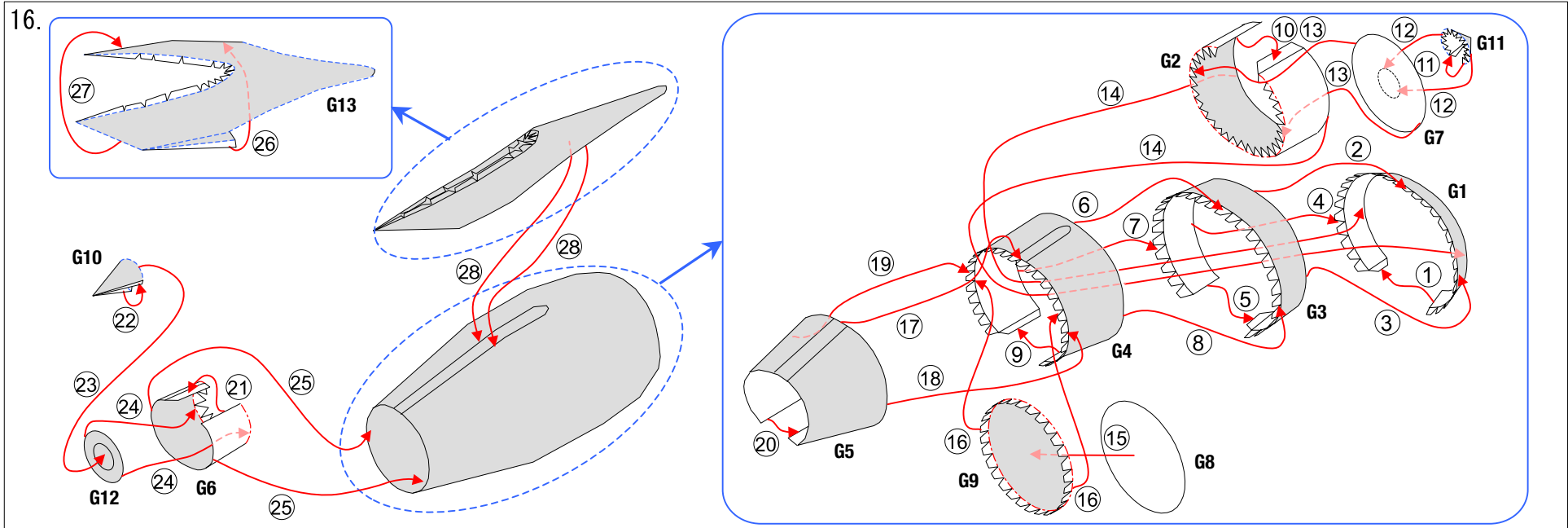
If making a grounded model, cut out the parts indicated in red before use

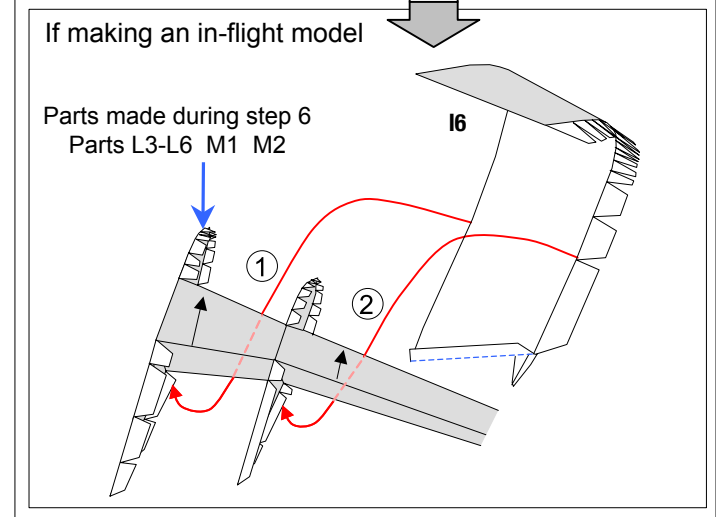
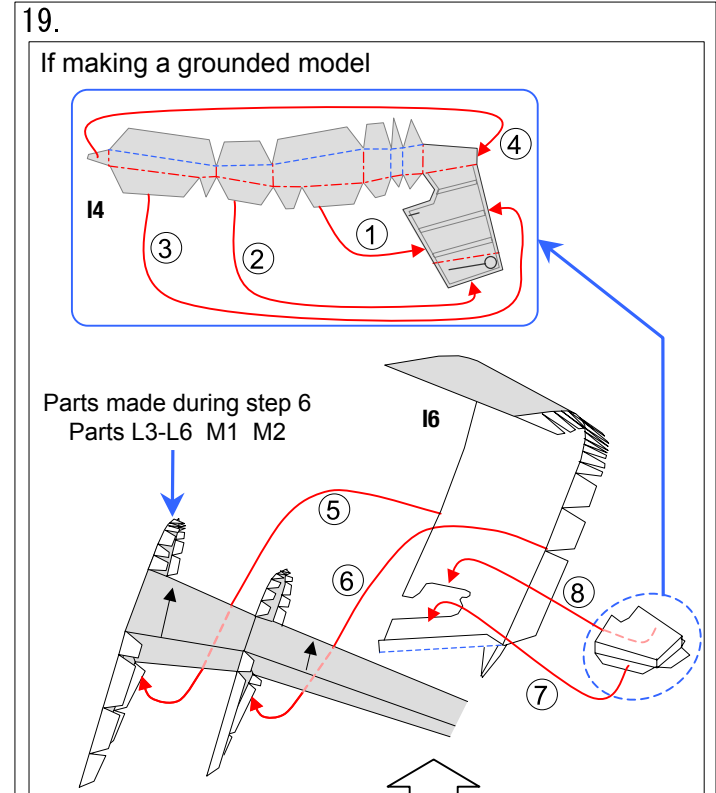
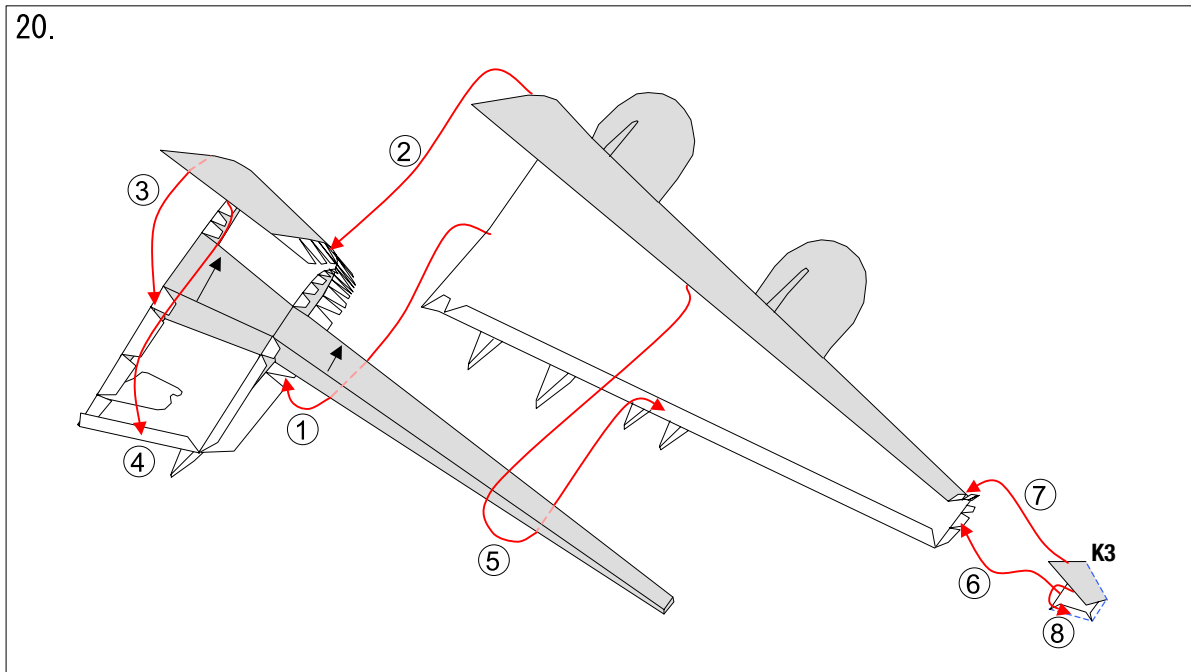
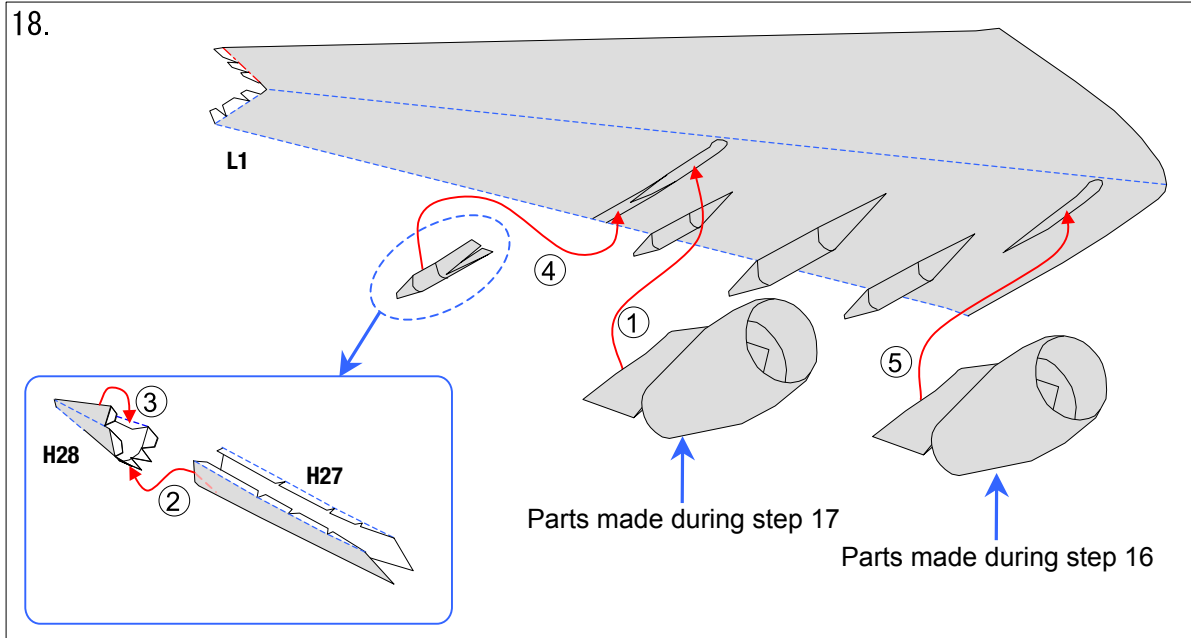


15.

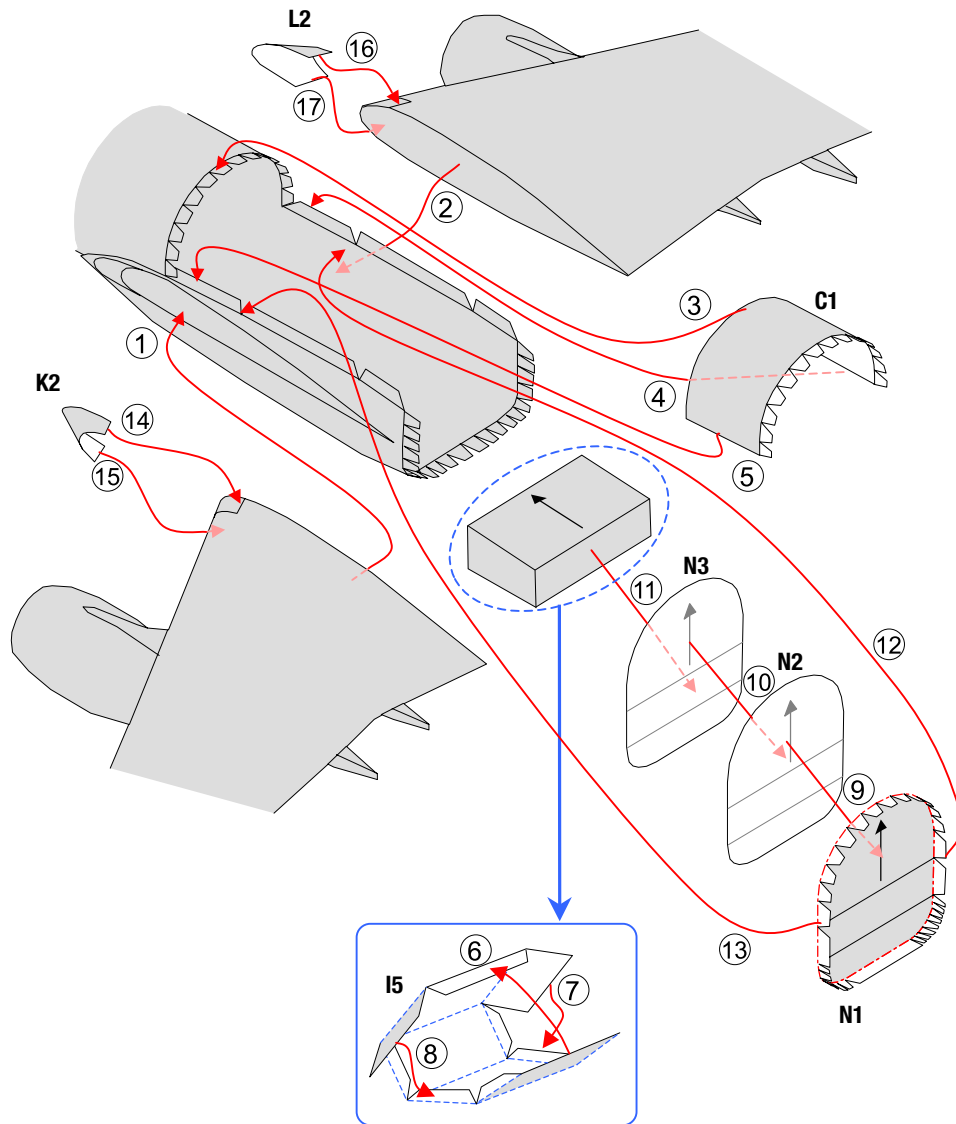




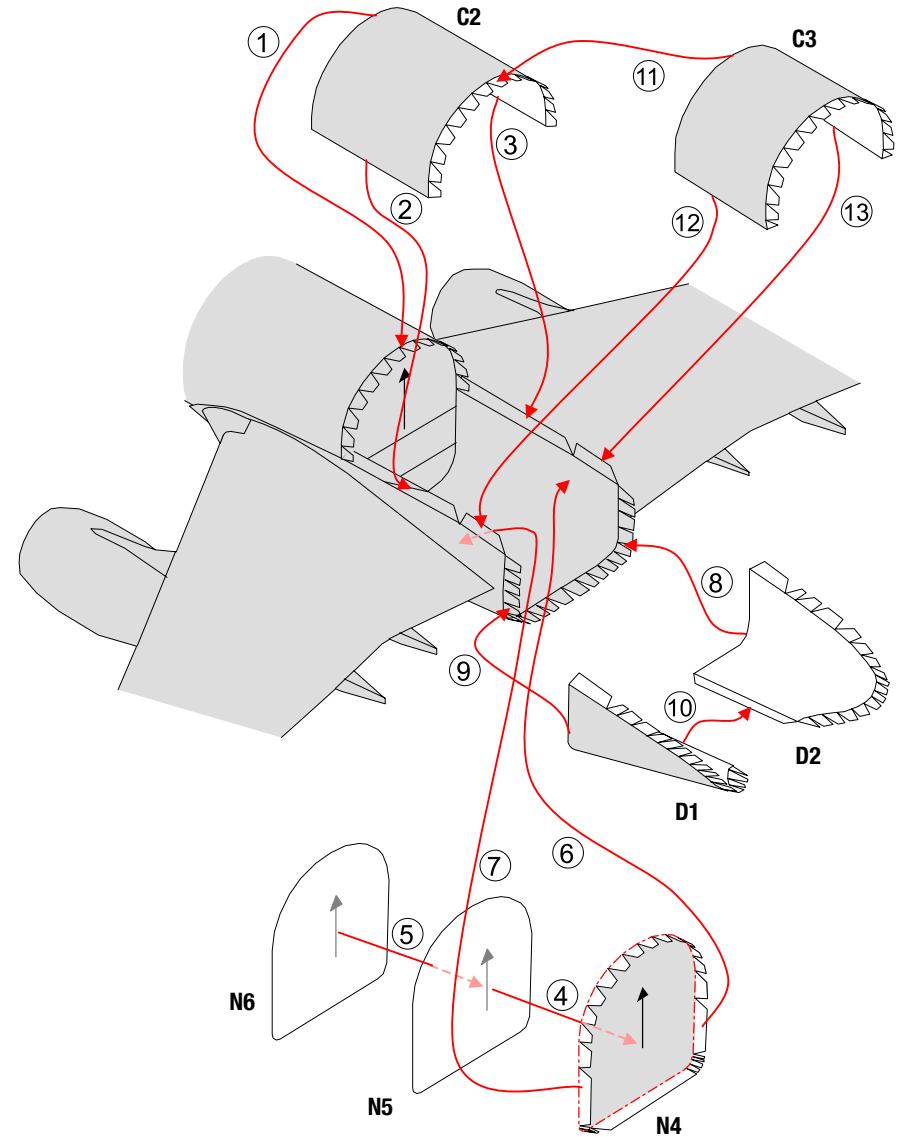




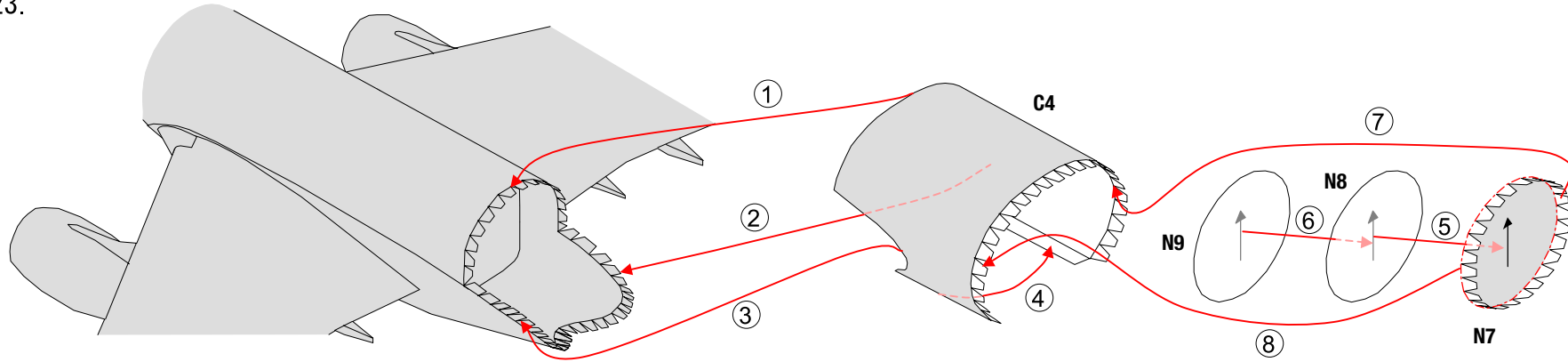
21.



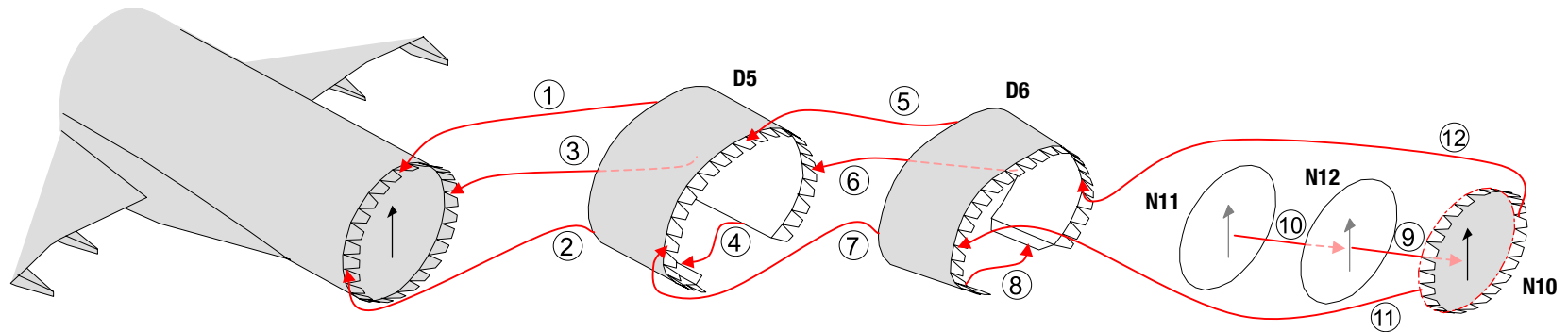
22.



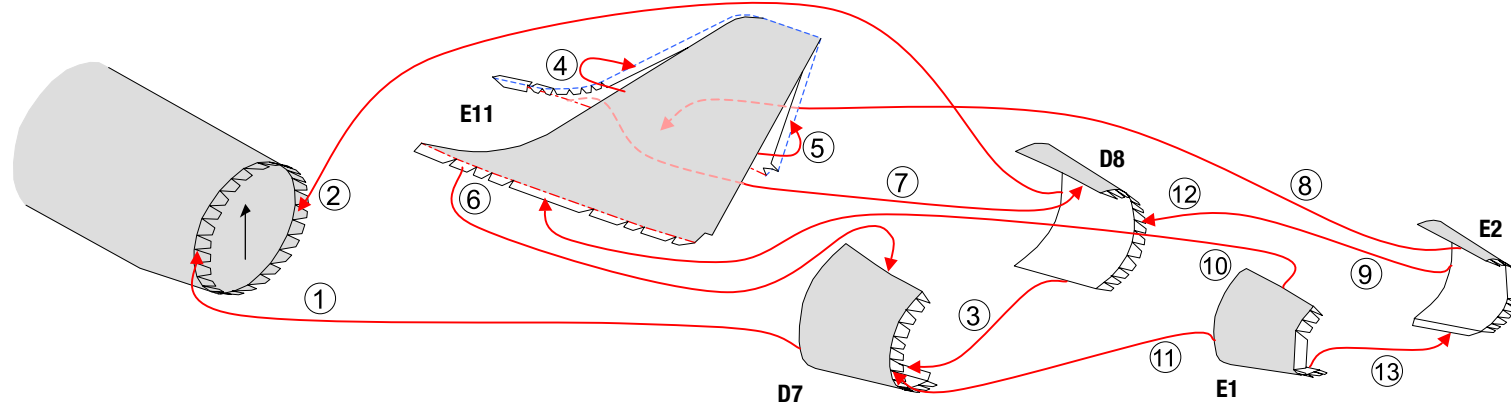
23.



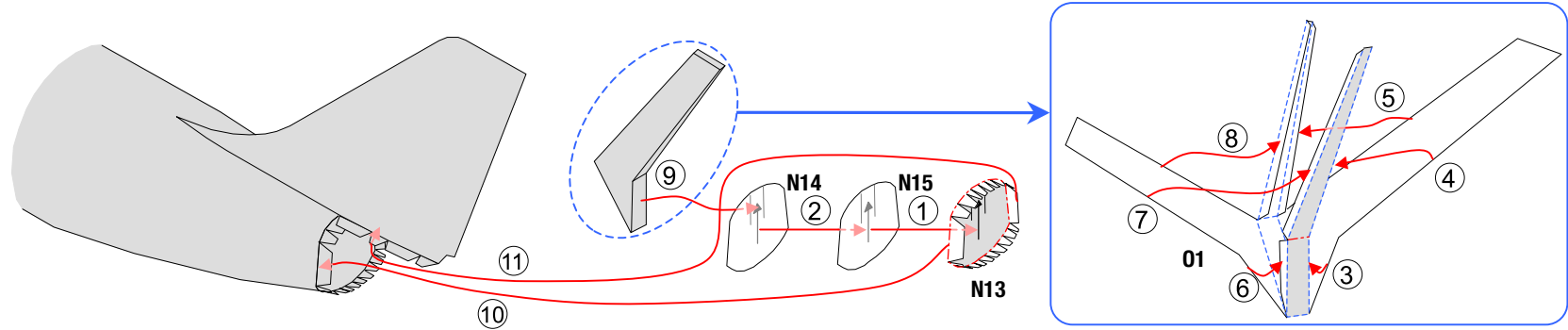
24.



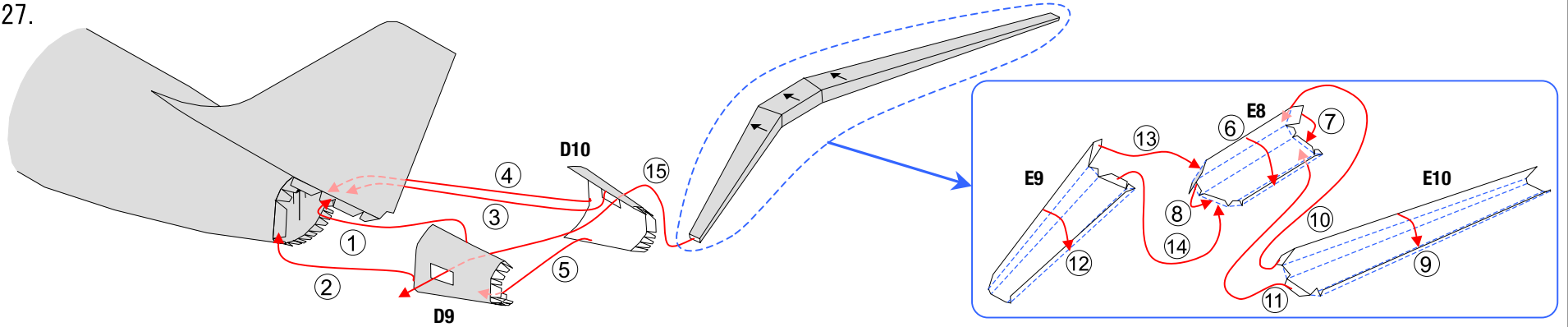
25.



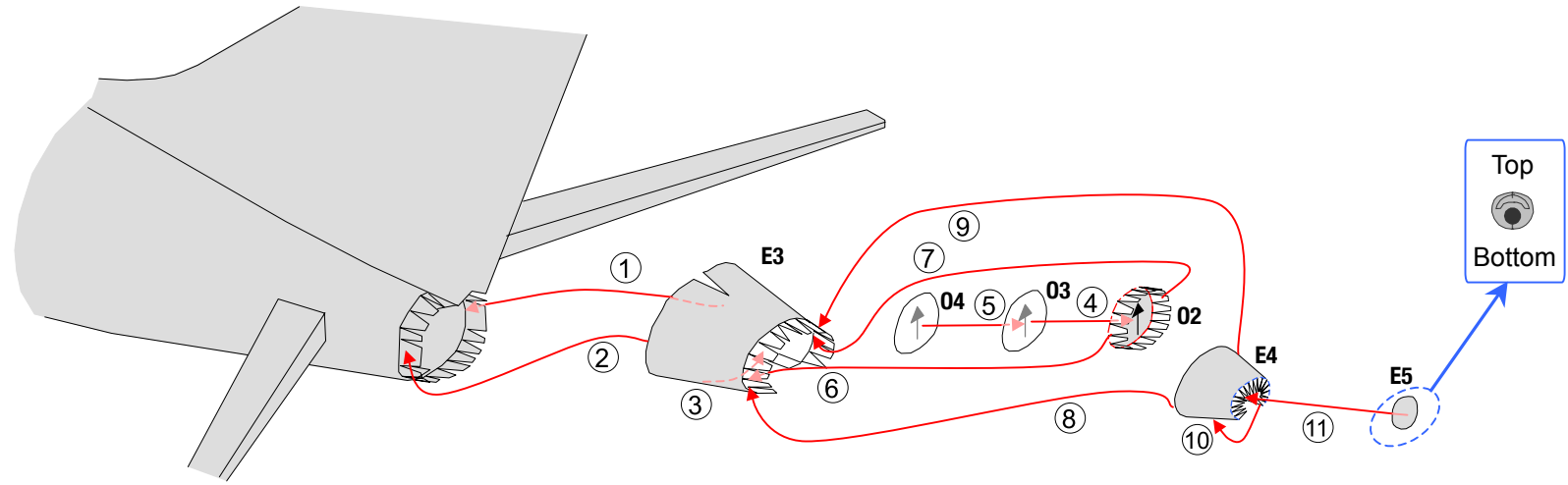
26.



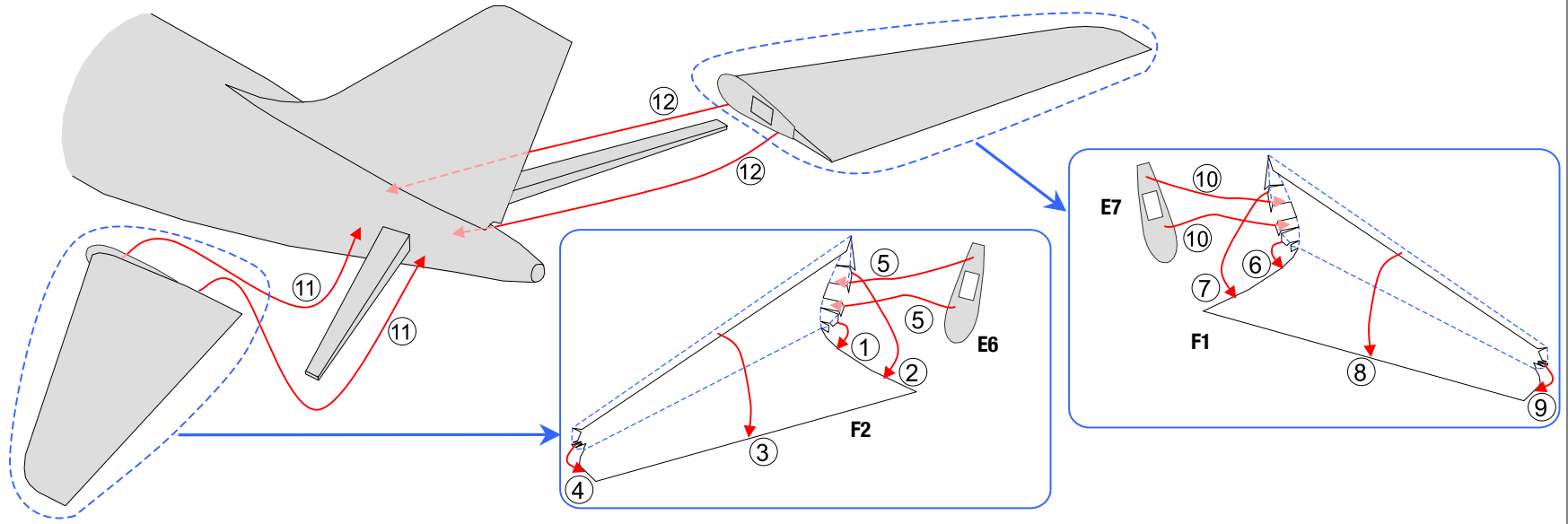
27.



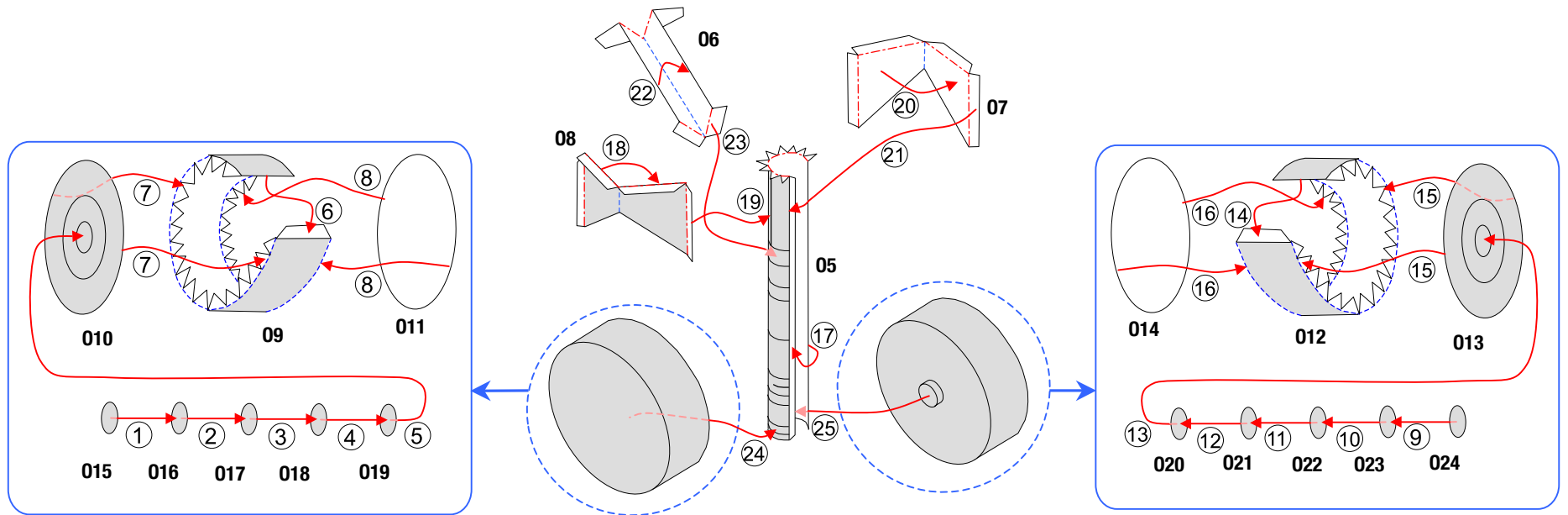
28.



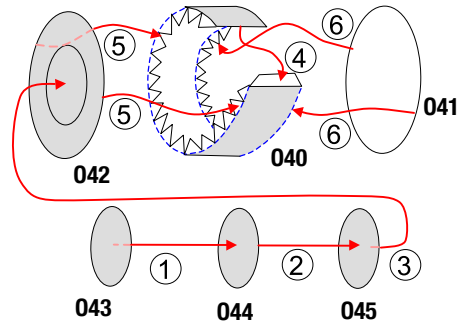
29.



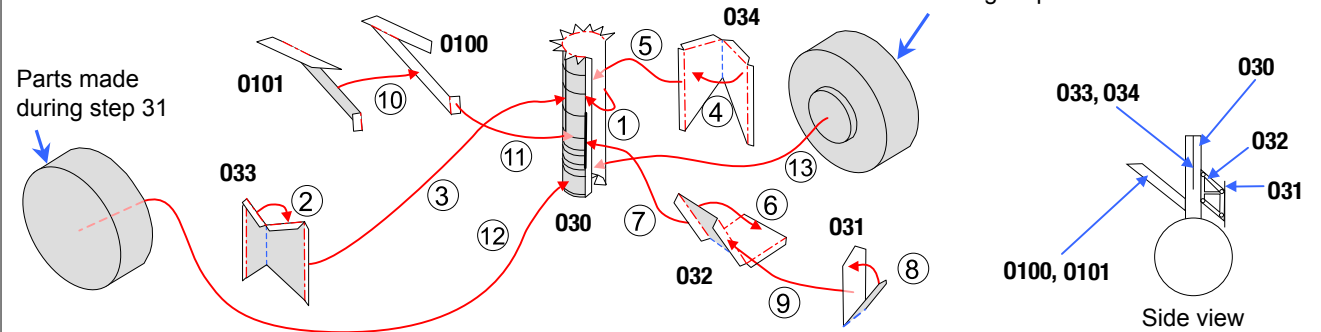
30. Carry out this step if making a grounded model



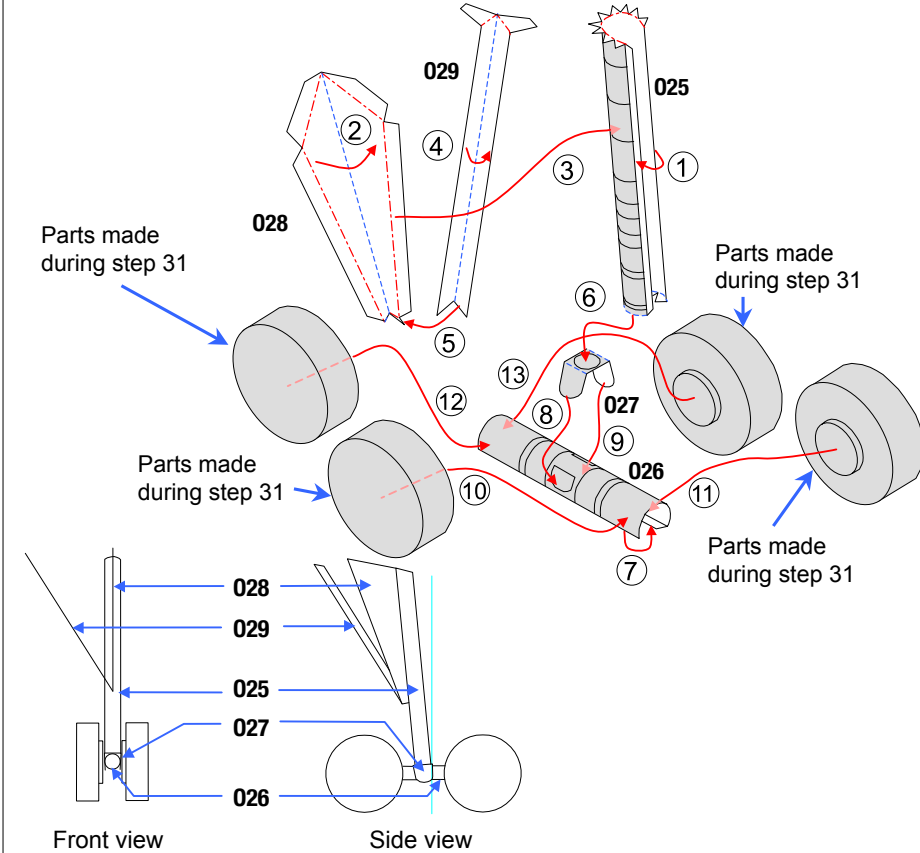
31. Carry out this step if making a grounded model  
Make 10 pieces of parts 040-087.



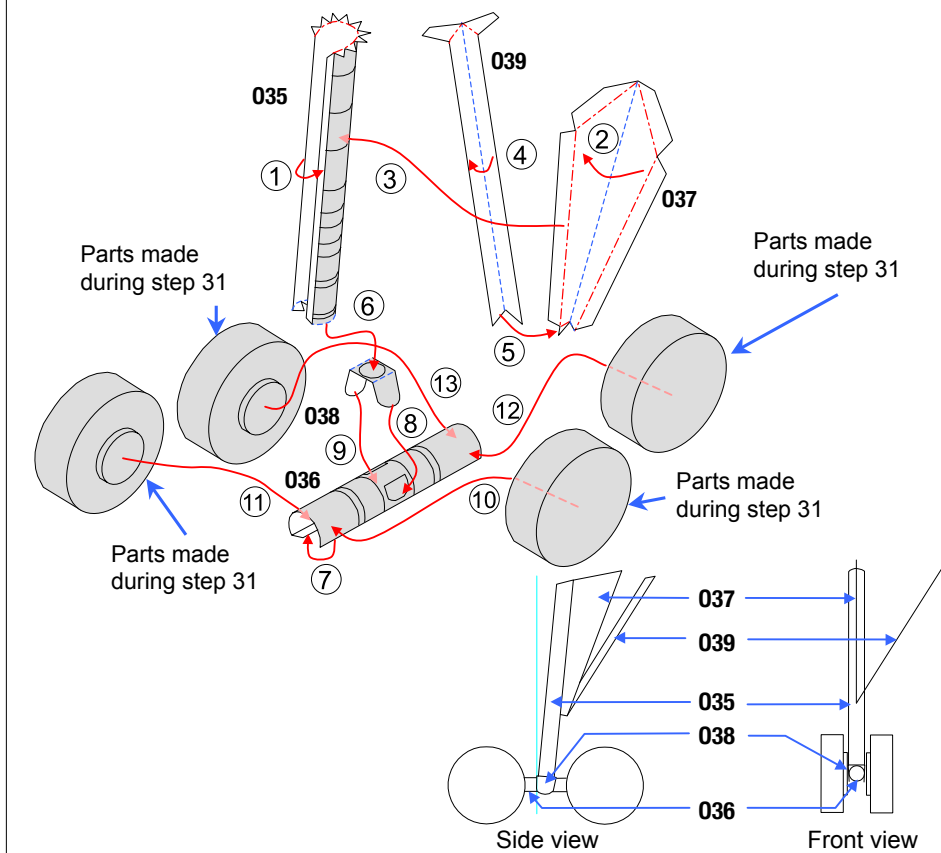
32. Carry out this step if making a grounded model



33. Carry out this step if making a grounded model

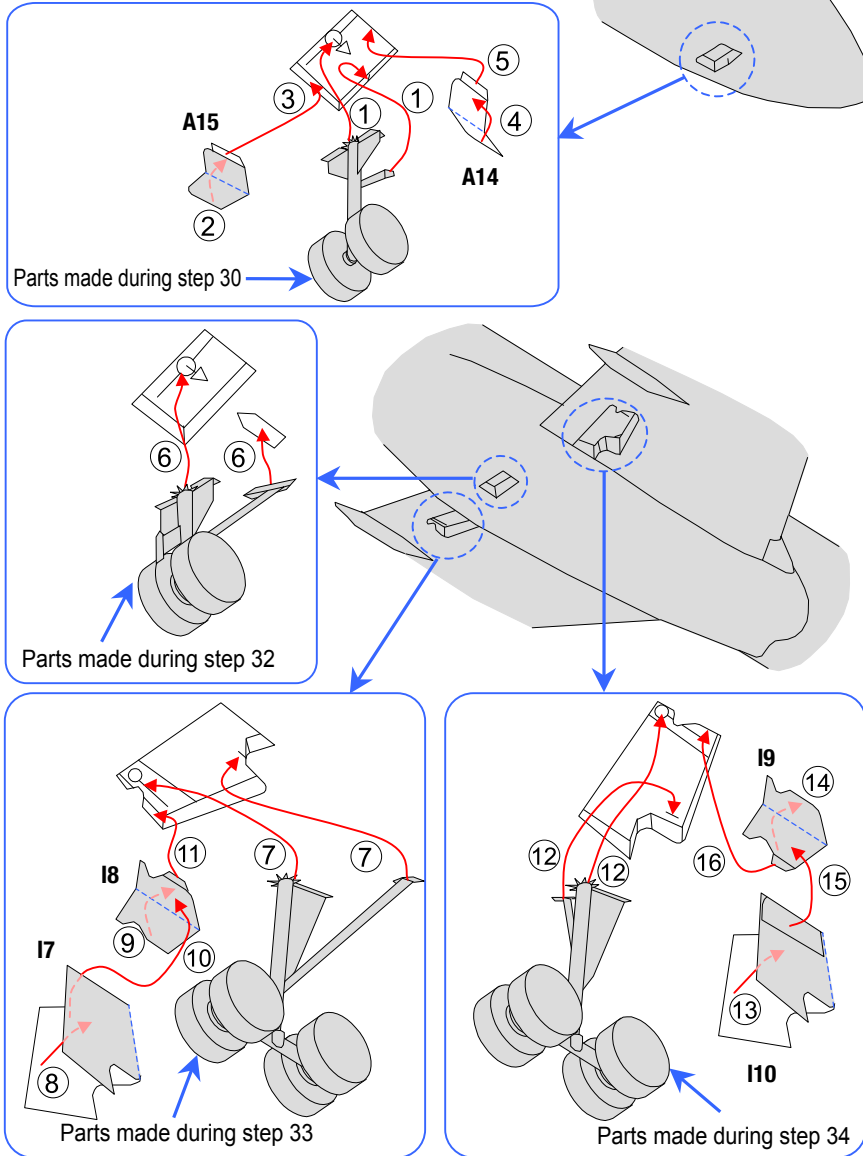


34. Carry out this step if making a grounded model



**35. Carry out this step if making a grounded model**

Attach the parts made during steps 30, 32, 33, and 34 first. Then, attach the other parts.



**36.**

