

# Chemical Fire Engine Assembly Instructions



<http://www.canon.com/c-park/>



Special Vehicle Series  
**Chemical Fire Engine**  
FOAM TENDER

View of completed model

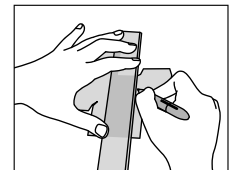
\* This model was designed for Papercraft and may differ from the original in some respects.

## Tools

- Scissors
- Ruler, set square
- Glue (Wood glue or craft glue recommend)
- Exhausted ballpoint pen (out of ink)
- Toothpicks (for use in applying glue)
- Tweezers (useful for handling small parts)
- Pencil

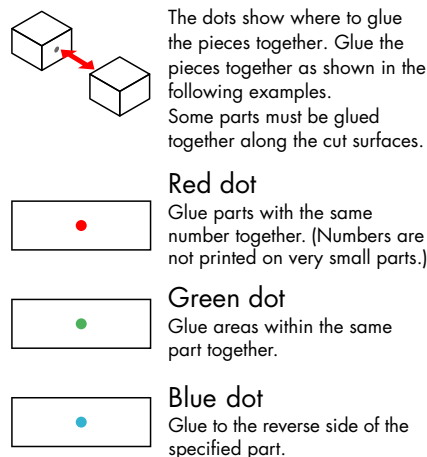
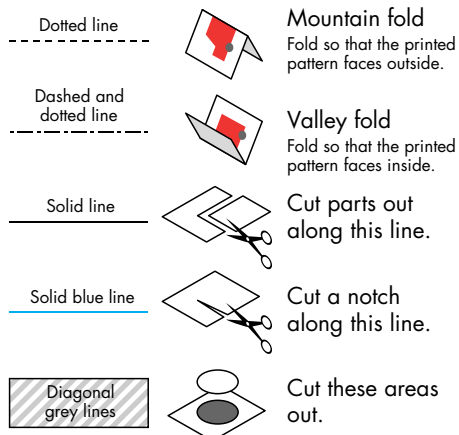
## Assembly tip

- Write the number of each part on the reverse side of the part in pencil upon cutting it out, to be sure you can tell which part is which later.
- Before gluing, crease the paper along mountain and valley fold lines. Trace along the folds with a ruler and an exhausted ballpoint pen (out of ink) to get a sharper fold.
- Make sure rounded sections are nice and stiff.

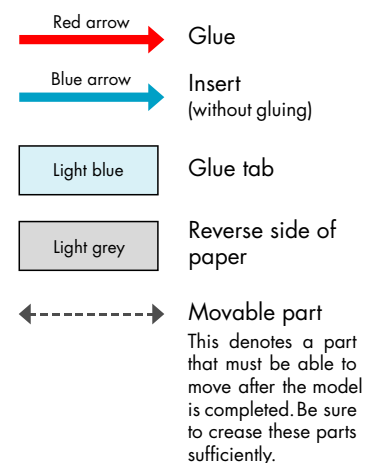


## Key to symbols

### Pattern



### Assembly instructions

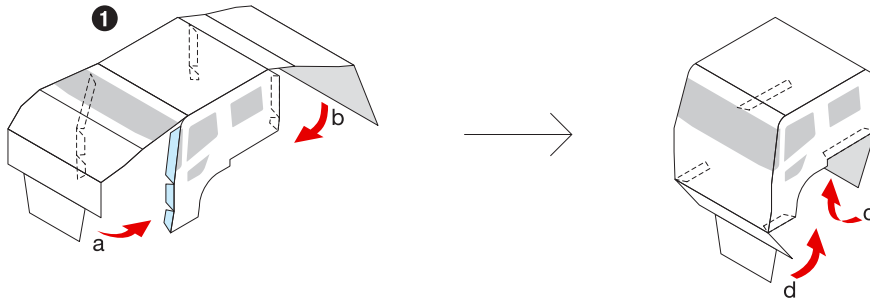


Glue, scissors and other tools may be dangerous to young children so be sure to keep them out of the reach of young children.

- **Assembly Instructions: Eight A4 sheets (No. 1 to No. 8)**  
Build this model with careful reference to the Assembly Instructions.

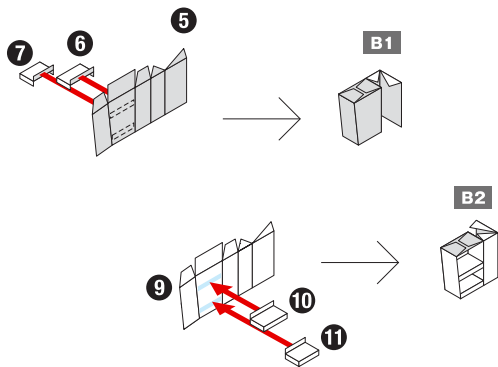
## A

Assemble the cab.  
Glue flaps a, b, c, and d in order.

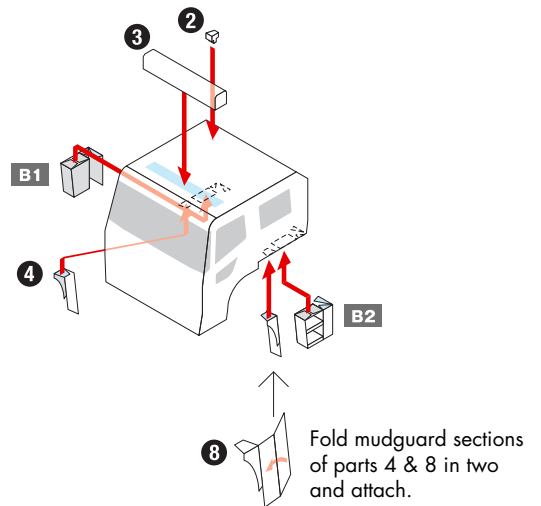


## B

Attach parts 6 & 7 to part 5,  
and parts 10 & 11 to part 9, and assemble.

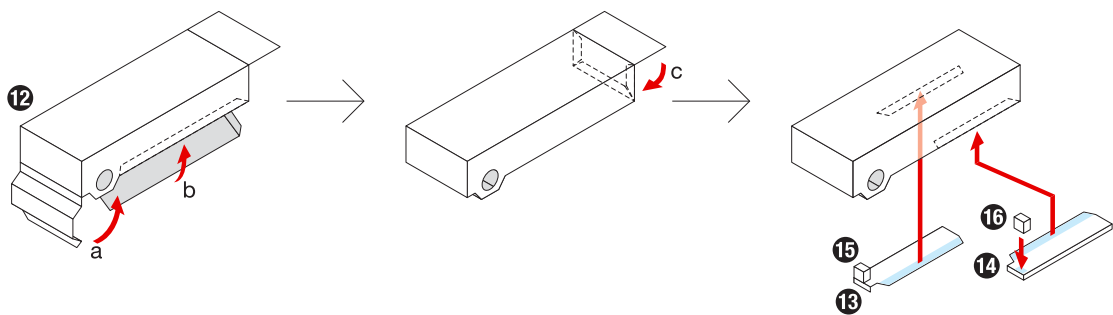


## C



## D

Glue flaps a, b, and c in order.



Refer to **G** for completed image.

**E**

Glue sections a, b, c, and d of part 17 in order.

Front

Front

Front

Front

Attach part 18 to rear.

Rear

Rear

As seen from rear.

Rear

**F**

24

Assemble with patterned surface on the inside.

25

Front

Front

Don't forget to glue rear section.

Rear

**G**

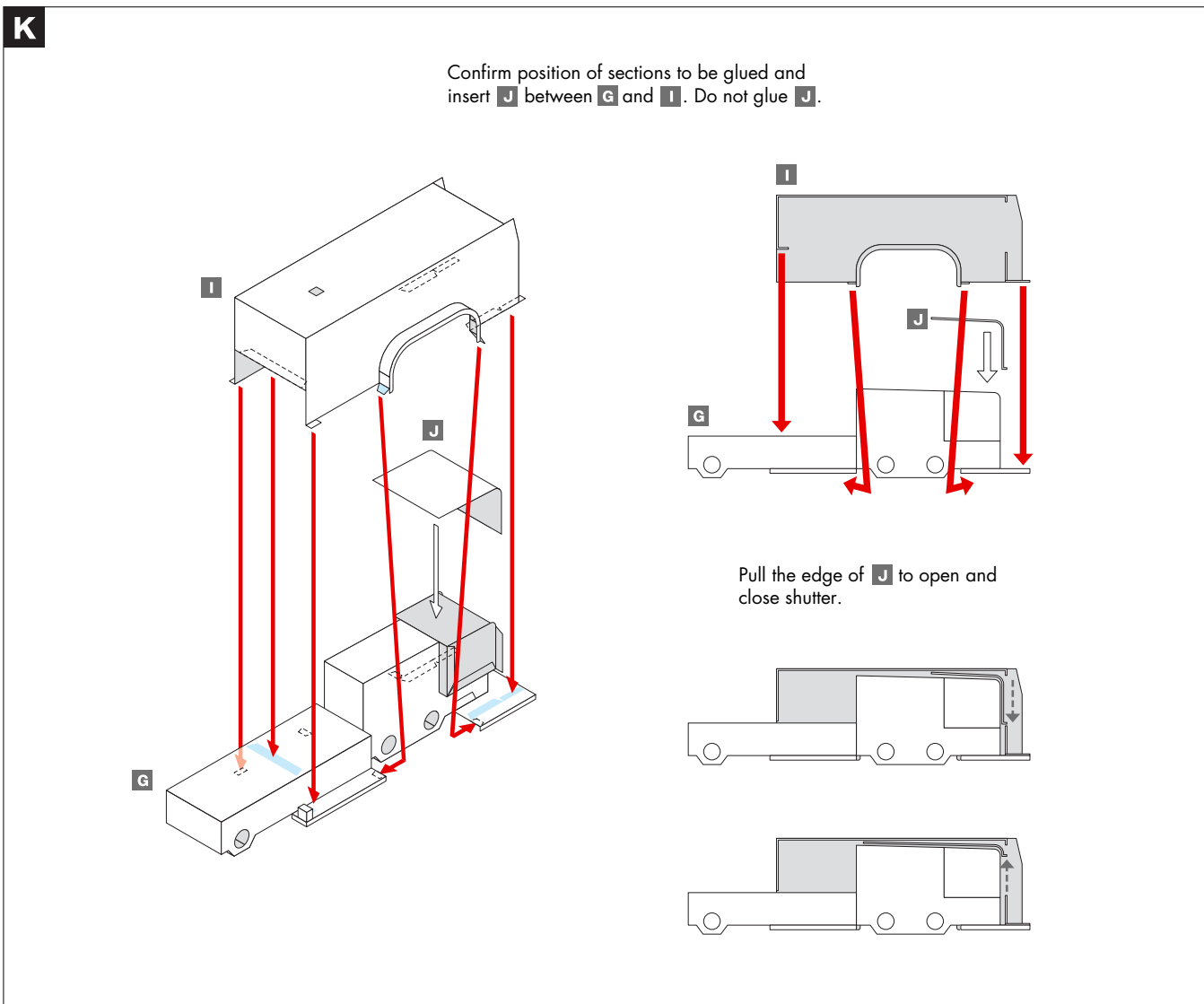
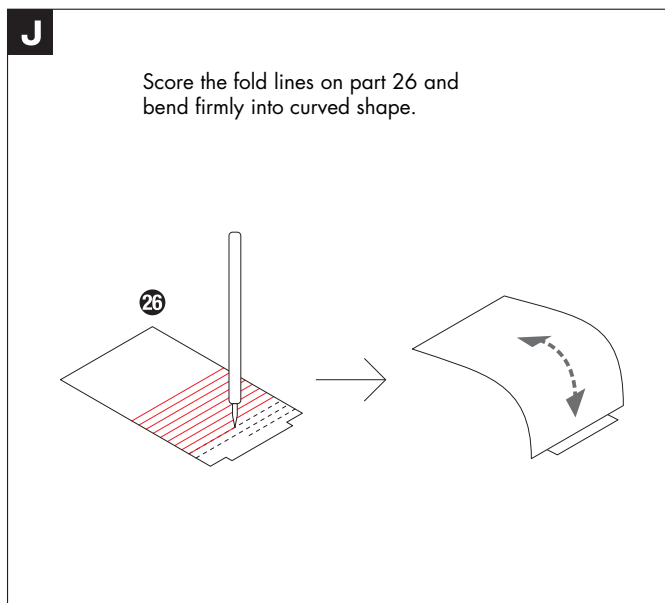
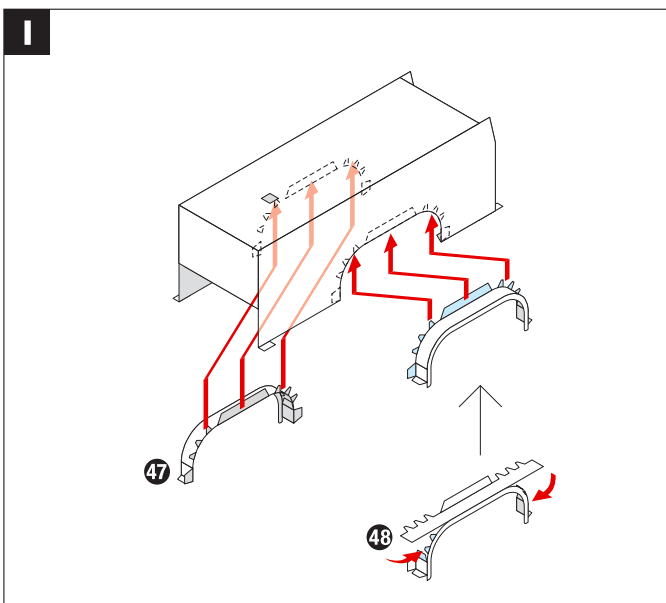
D

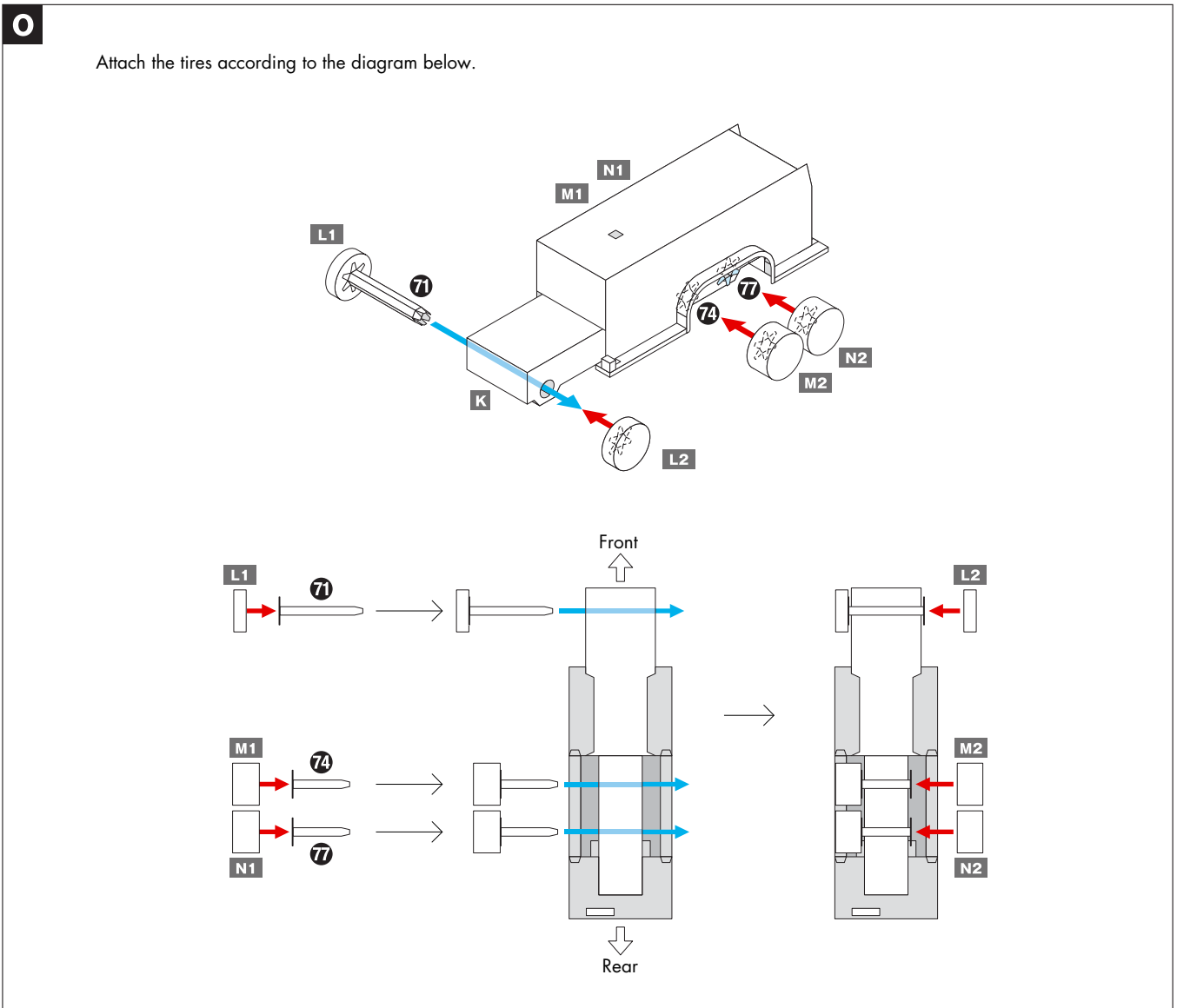
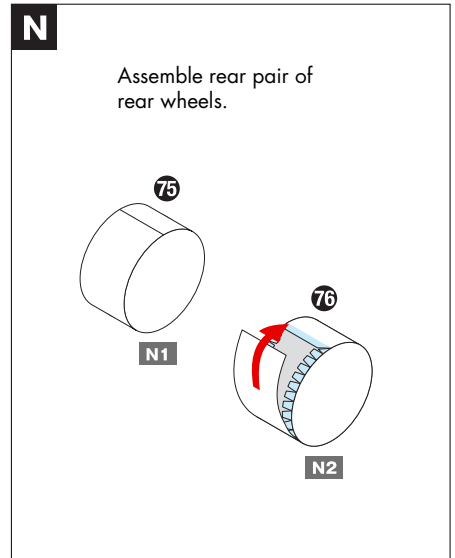
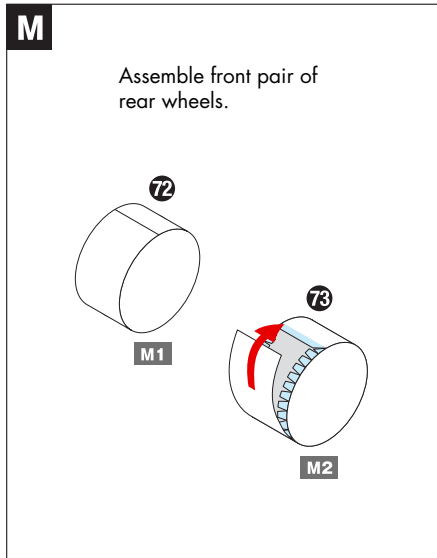
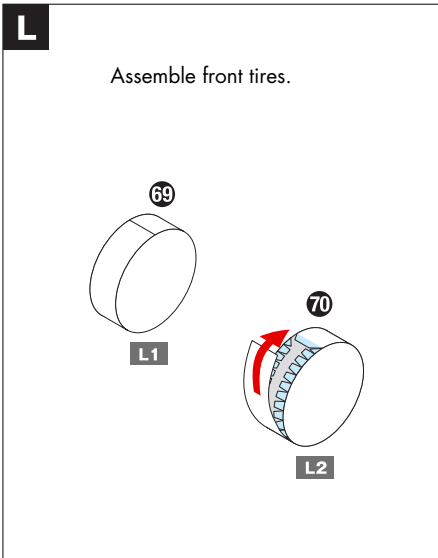
**H**

33

43

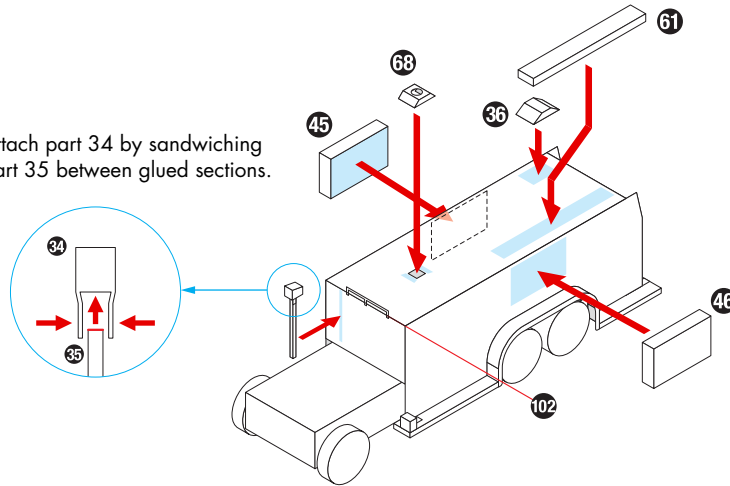
On sides, insert and glue flaps only.





## P

Attach part 34 by sandwiching part 35 between glued sections.



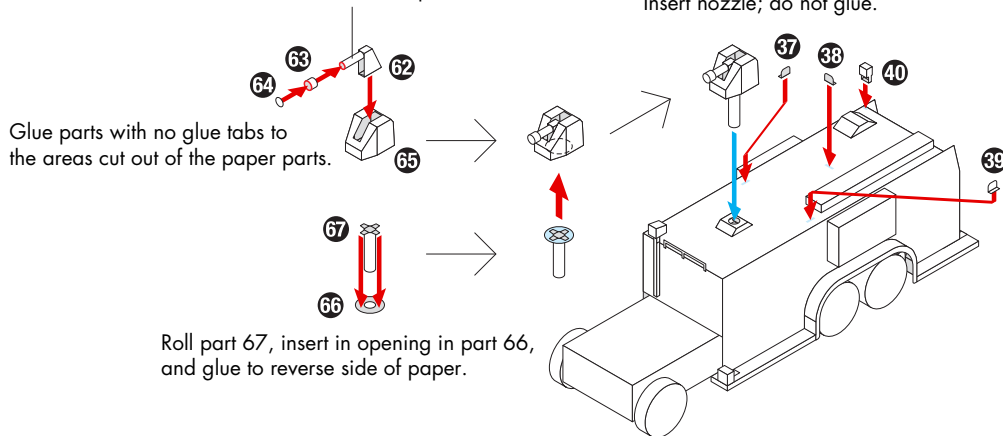
## Q

Roll and glue to form hose.  
Hose is able to move up and down.

Insert nozzle; do not glue.

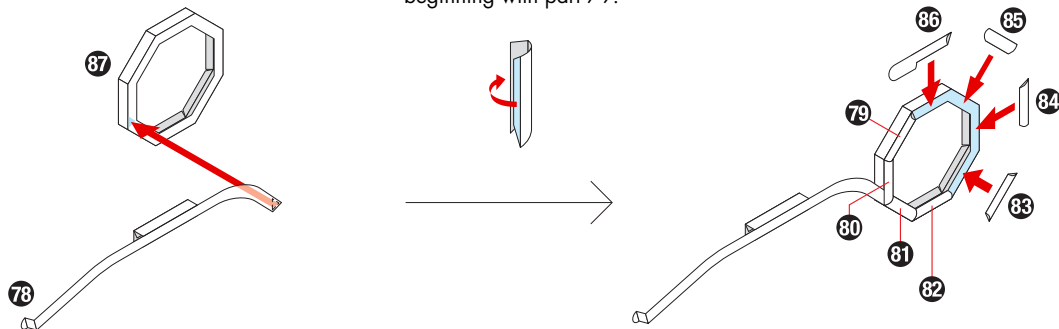
Glue parts with no glue tabs to the areas cut out of the paper parts.

Roll part 67, insert in opening in part 66, and glue to reverse side of paper.



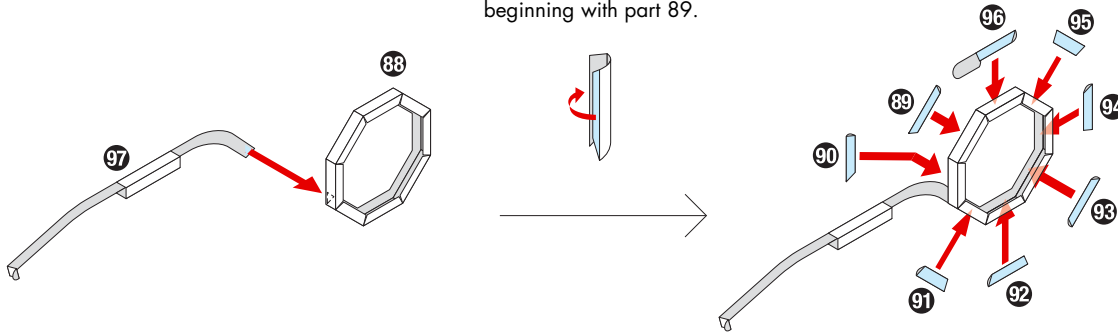
## R

Assemble parts 79 to 86 and glue in order, beginning with part 79.

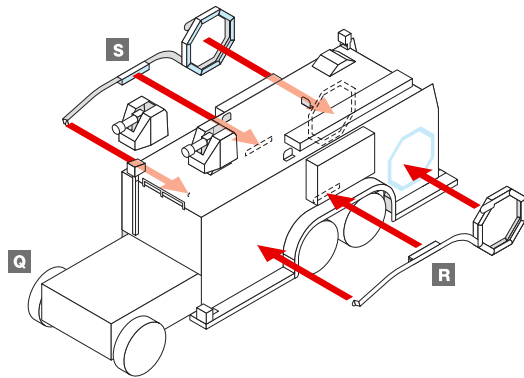


**S**

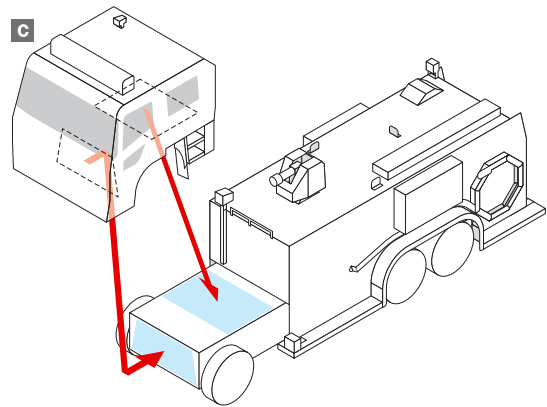
Assemble parts 89 to 96 and glue in order, beginning with part 89.



**T**



**U**



**V**

Assemble the hose car.

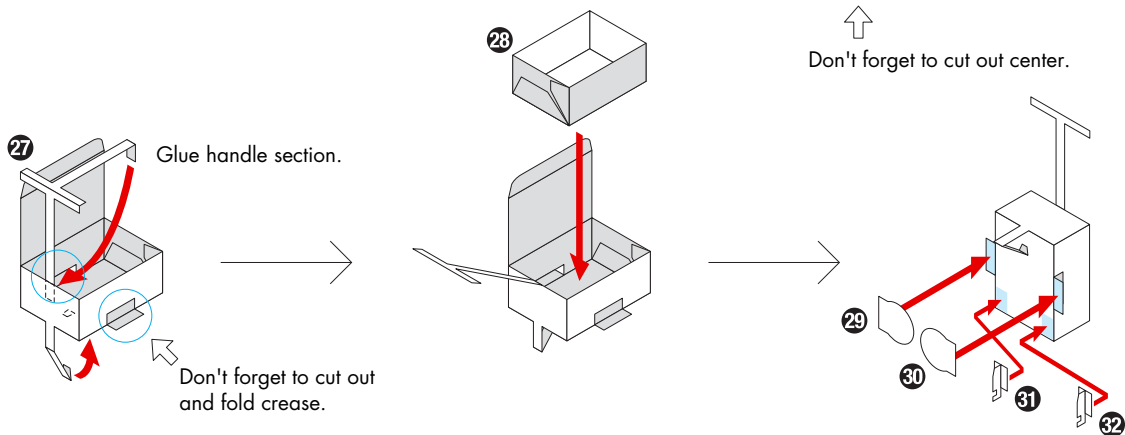
Assemble part 28 with the patterned surface to the inside, and insert into part 4.

Glue parts 31 and 32 together.

27 Glue handle section.

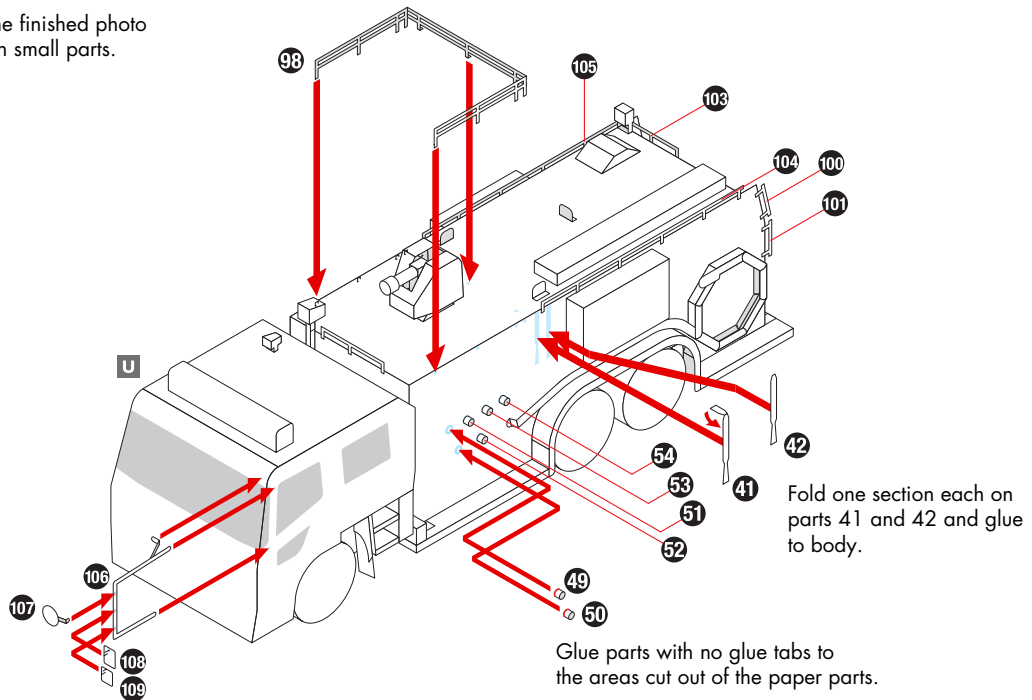
Don't forget to cut out and fold crease.

Don't forget to cut out center.



### W

Refer to the finished photo and attach small parts.



### X

Glue parts with no glue tabs to the areas cut out of the paper parts.

