

# Articulated Ladder Truck Assembly Instructions



<http://www.canon.com/c-park/>



View of completed model

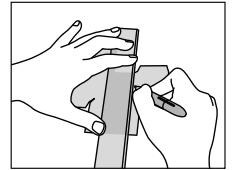
\* This model was designed for Papercraft and may differ from the original in some respects.

## Tools

- Scissors
- Ruler, set square
- Glue (Wood glue or craft glue recommend)
- Exhausted ballpoint pen (out of ink)
- Toothpicks (for use in applying glue)
- Tweezers (useful for handling small parts)
- Pencil

## Assembly tip

- Write the number of each part on the reverse side of the part in pencil upon cutting it out, to be sure you can tell which part is which later.
- Before gluing, crease the paper along mountain and valley fold lines. Trace along the folds with a ruler and an exhausted ballpoint pen (out of ink) to get a sharper fold.
- Make sure rounded sections are nice and stiff.



## Key to symbols

### Pattern

Dotted line - - - - -		<b>Mountain fold</b> Fold so that the printed pattern faces outside.
Dashed and dotted line - · - - -		<b>Valley fold</b> Fold so that the printed pattern faces inside.
Solid line —————		Cut parts out along this line.
Solid blue line —————		Cut a notch along this line.
		Cut these areas out.

	<b>Red dot</b> Glue parts with the same number together. (Numbers are not printed on very small parts.)
	<b>Green dot</b> Glue areas within the same part together.
	<b>Blue dot</b> Glue to the reverse side of the specified part.

### Assembly instructions

	<b>Glue</b>
	<b>Insert</b> (without gluing)
	<b>Glue tab</b>
	<b>Reverse side of paper</b>
	<b>Movable part</b> This denotes a part that must be able to move after the model is completed. Be sure to crease these parts sufficiently.

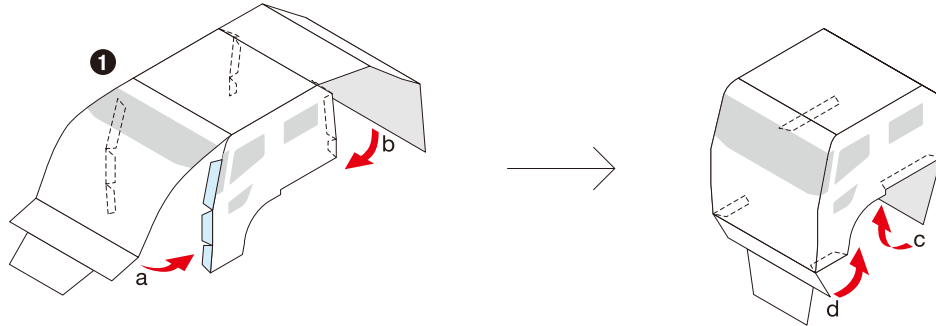


Glue, scissors and other tools may be dangerous to young children so be sure to keep them out of the reach of young children.

■ **Assembly Instructions: Nine A4 sheets (No. 1 to No. 9)**  
Build this model with careful reference to the Assembly Instructions.

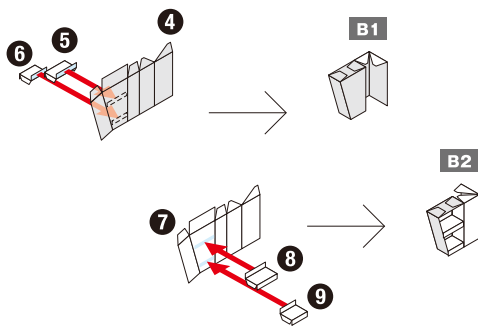
### A

Assemble the cab.  
Glue flaps a, b, c, and d in order.

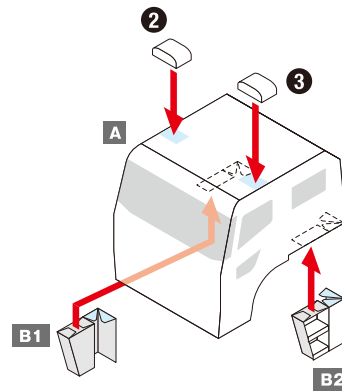


### B

Attach parts 5 & 6 to part 4,  
and parts 8 & 9 to part 7, and assemble.

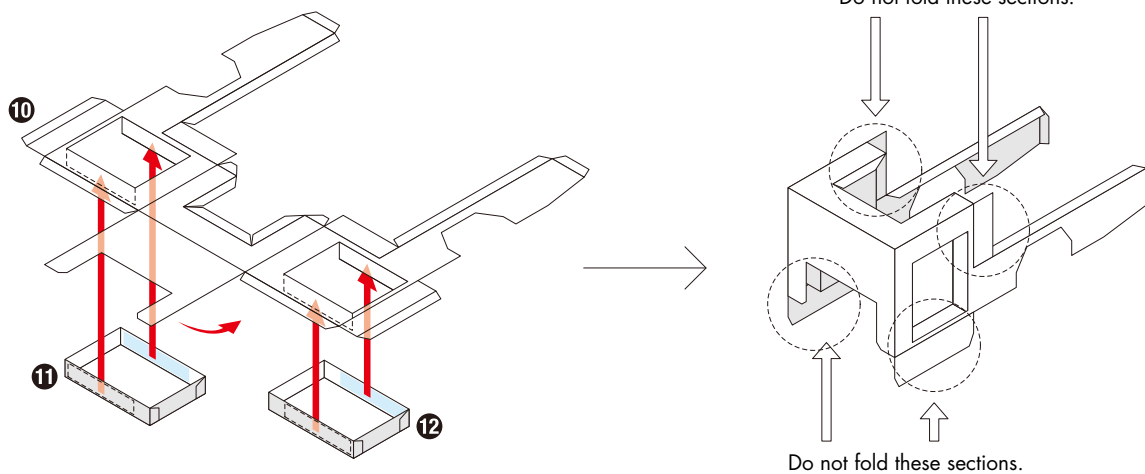


### C



### D

After gluing parts 11 & 12 to the respective  
openings, assemble by folding over left, right,  
and front sections.



**E**

Assemble part 13, glue to **D**, and fold sections a, b, and c in order.

**F**

Glue flaps a, b, c, and d in order.

Glue the reverse surfaces together.

Insert part 18 through from the reverse of part 17 and glue in place.

**G**

Glue part 23 to the reverse of part 24 and assemble.

Glue the wings of part 27 in place before assembling.

Glue a portion of part 26.

**H**

37

33

34

Insert part 33 into part 34; do not glue.

**I**

Insert part 40 into **H**, sandwich between parts 31 and 32, then glue with part 39, confirming the width as you fix the parts in place.

31

32

40

39

**J**

Apply glue to fastener flap section of **I**, insert into part 38 and fix in place.

After gluing part 35 to part 41, insert into opening in **I** and glue to part 36.

38

35

41

36

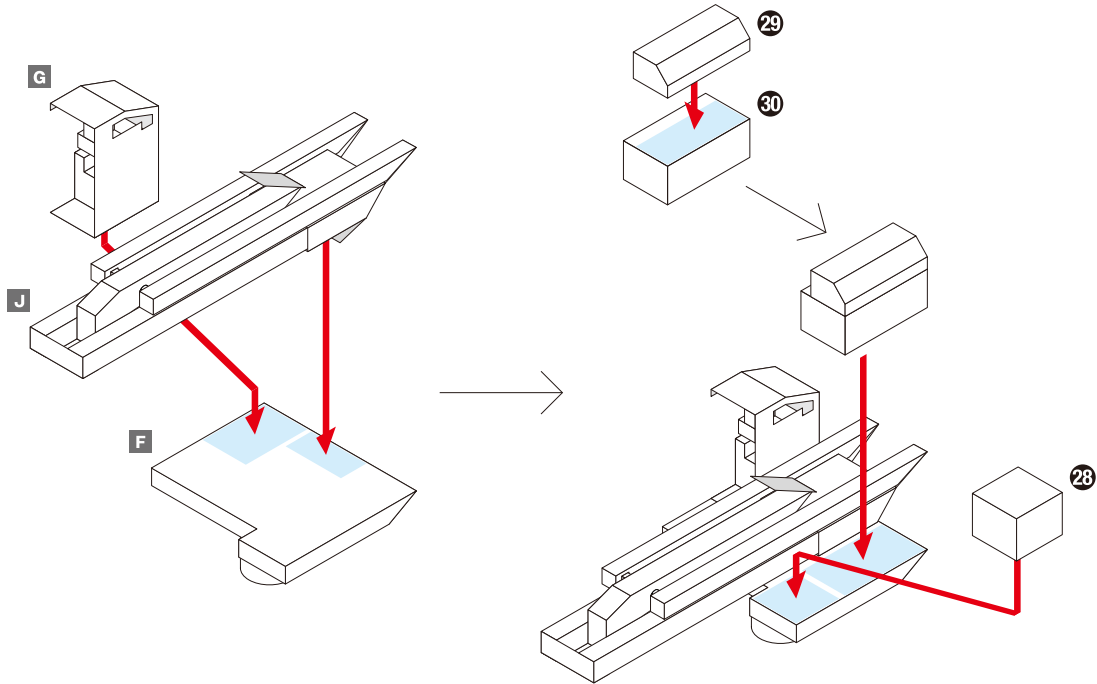
Follow illustrations carefully when gluing the reverse side.

Side view

Glue reverse sides of two forehand and inner units together.

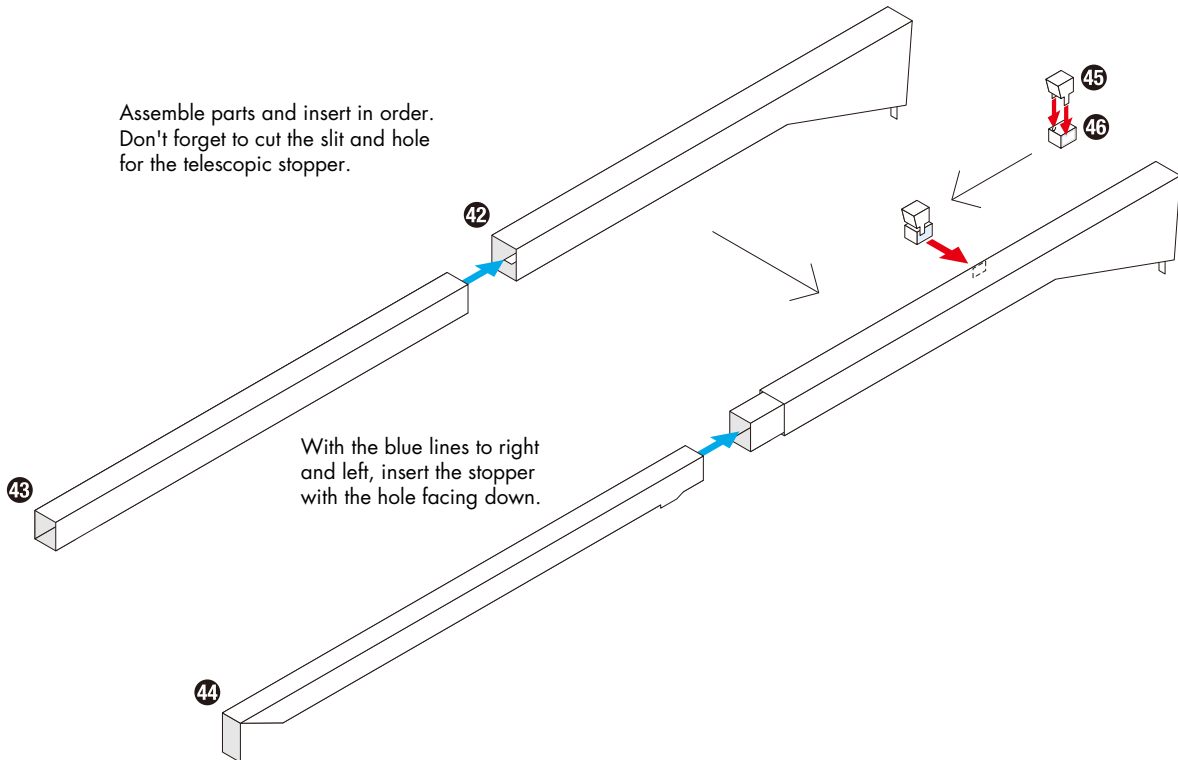
This section is glued in the next panel.

**K**



**L**

Assemble parts and insert in order.  
Don't forget to cut the slit and hole  
for the telescopic stopper.



**M**

Assemble part 50 with the patterned surface to the inside, and insert into part 49.

**N**

Glue parts with no glue tabs to the areas cut out of the paper parts.

**O**

Reinforcement for moving parts; glue to inner surface.

Extend the moving telescopic section and apply glue.

**P**

Glue flaps a and b in order.

Insert part 47 and glue to base.

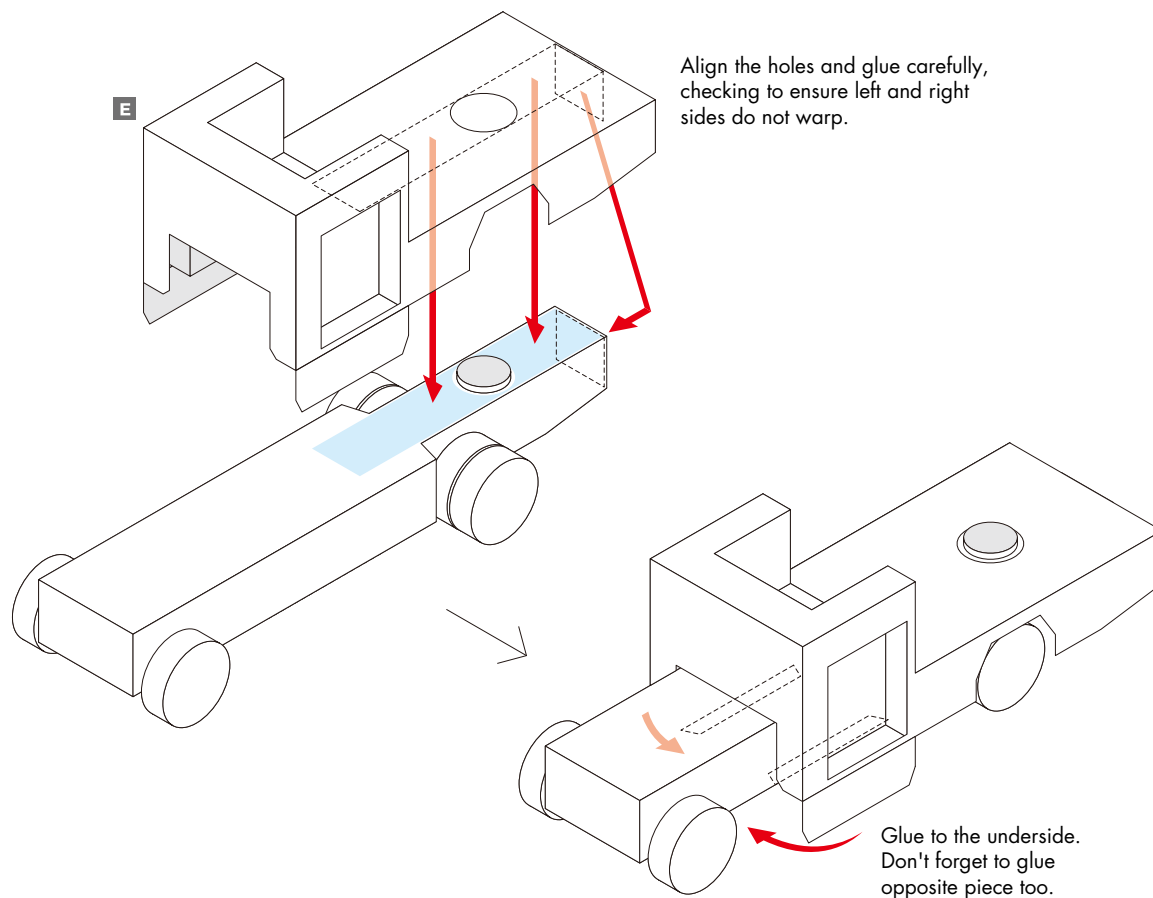
**Q** Assemble front tires.

**R** Assemble outer rear tires.

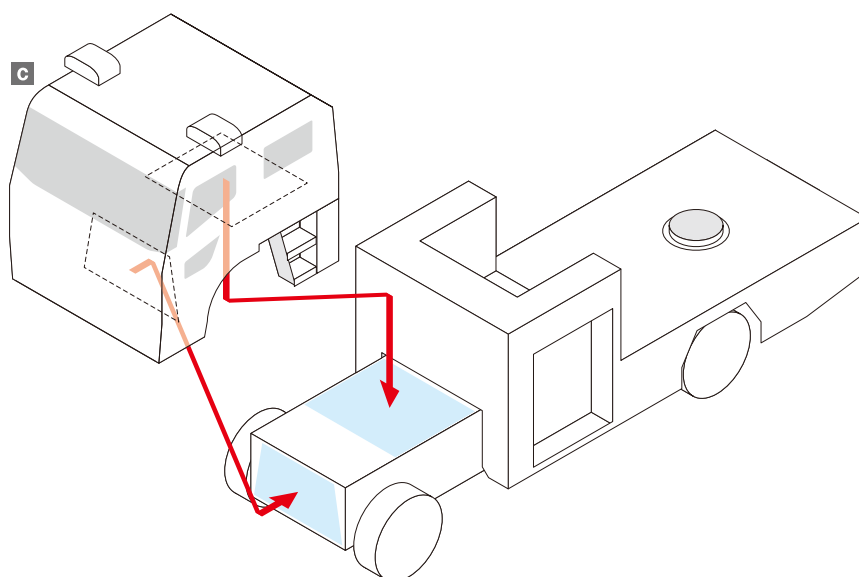
**S** Assemble inner rear tires.

**T** Attach the tires according to the diagram below.

**U**



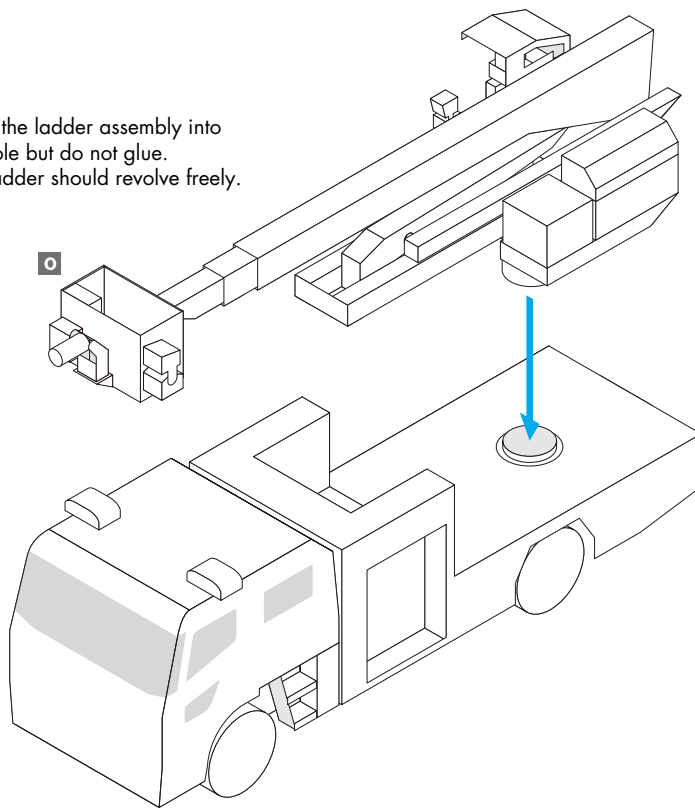
**V**





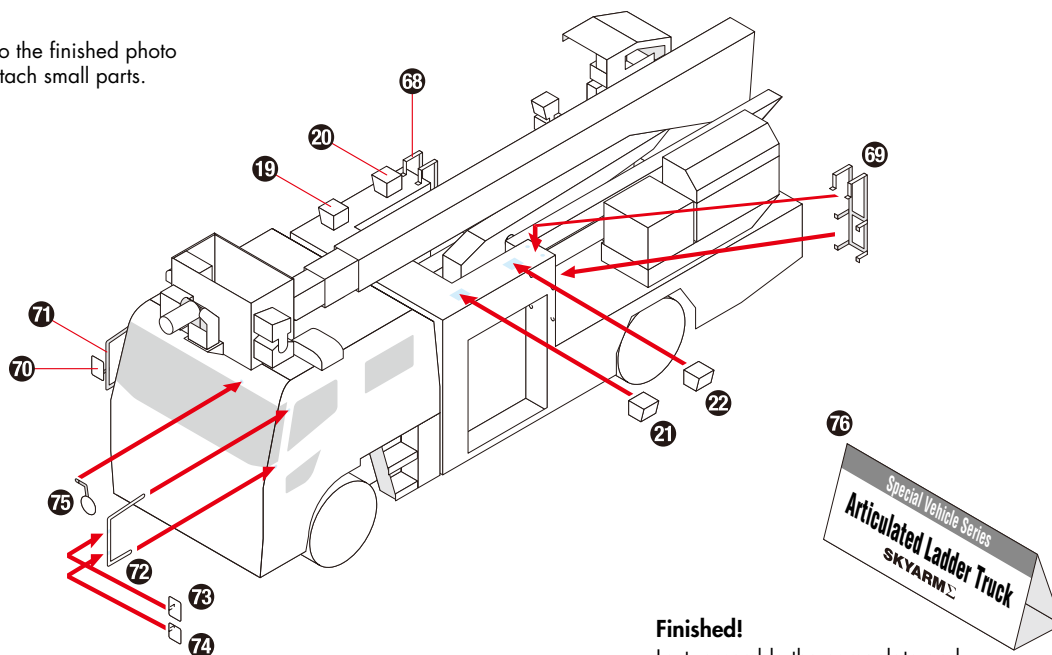
**W**

Insert the ladder assembly into the hole but do not glue.  
The ladder should revolve freely.



**X**

Refer to the finished photo and attach small parts.



**Finished!**

Last, assemble the nameplate and display it together with your model.