

Bulldozer

Assembly Instructions



View of completed model

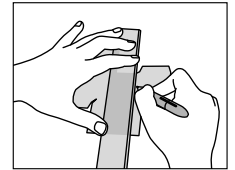
* This model was designed for Papercraft and may differ from the original in some respects.

Tools

- Scissors
- Ruler, set square
- Glue (Wood glue or craft glue recommend)
- Exhausted ballpoint pen (out of ink)
- Toothpicks (for use in applying glue)
- Tweezers (useful for handling small parts)
- Pencil

Assembly tip

- Write the number of each part on the reverse side of the part in pencil upon cutting it out, to be sure you can tell which part is which later.
- Before gluing, crease the paper along mountain and valley fold lines. Trace along the folds with a ruler and an exhausted ballpoint pen (out of ink) to get a sharper fold.
- Make sure rounded sections are nice and stiff.



Key to symbols

Pattern

Dotted line		Mountain fold Fold so that the printed pattern faces outside.
Dashed and dotted line		Valley fold Fold so that the printed pattern faces inside.
Solid line		Cut parts out along this line.
Solid red line		Cut a notch along this line.
Diagonal grey lines		Cut these areas out.

	The dots show where to glue the pieces together. Glue the pieces together as shown in the following examples. Some parts must be glued together along the cut surfaces.
	Red dot Glue parts with the same number together. (Numbers are not printed on very small parts.)
	Green dot Glue areas within the same part together.
	Blue dot Glue to the reverse side of the specified part.

Assembly instructions

	Glue
	Insert (without gluing)
	Glue tab
	Reverse side of paper
	Movable part This denotes a part that must be able to move after the model is completed. Be sure to crease these parts sufficiently.

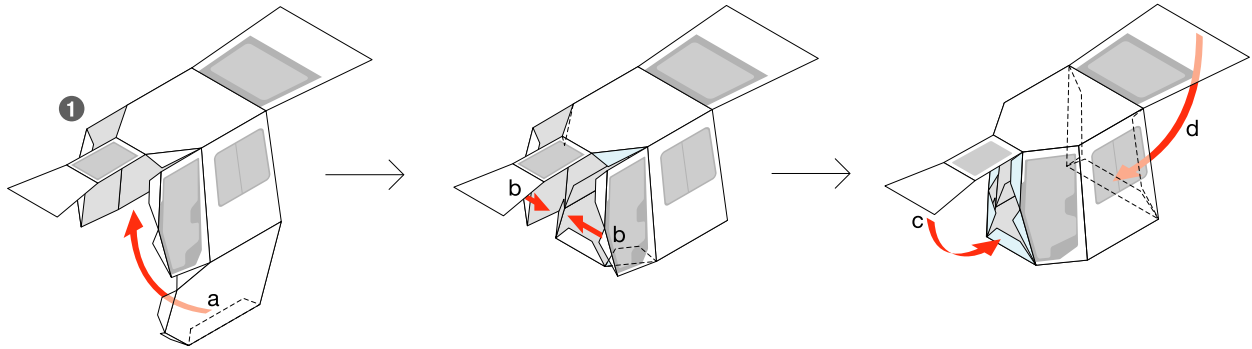


Glue, scissors and other tools may be dangerous to young children so be sure to keep them out of the reach of young children.

■ Assembly Instructions: Nine A4 sheets (No. 1 to No. 9)
Build this model with careful reference to the Assembly Instructions.

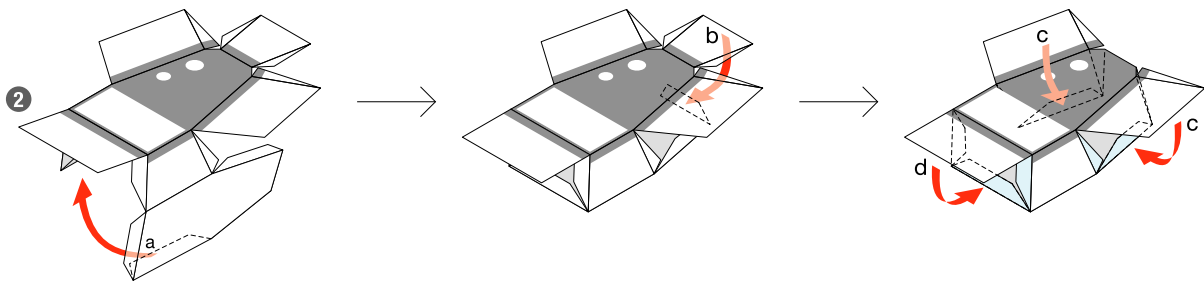
A

Assemble the cab.
Glue flaps a, b, c, and d in order.



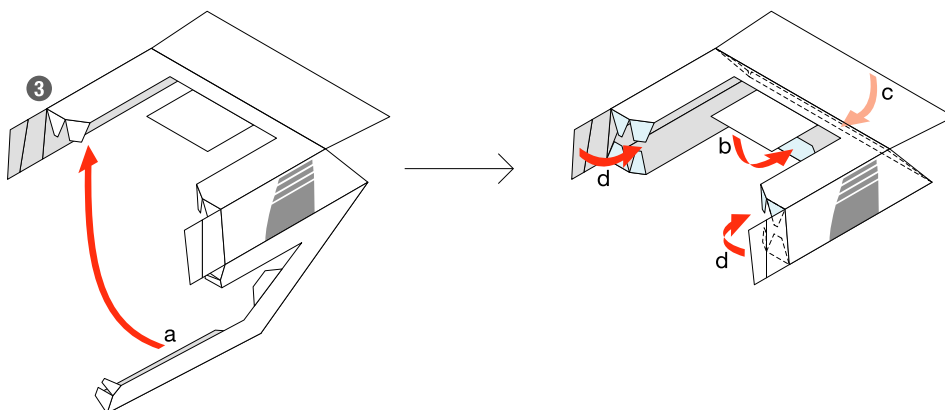
B

Glue flaps a, b, c, and d in order.



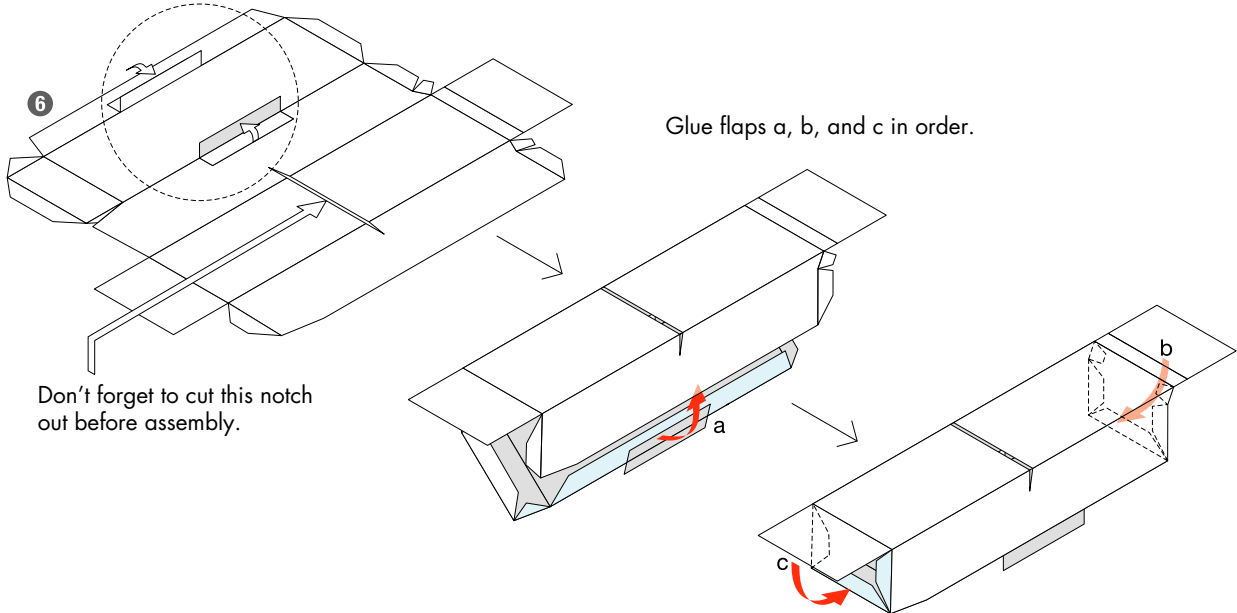
C

Glue flaps a, b, c, and d in order.

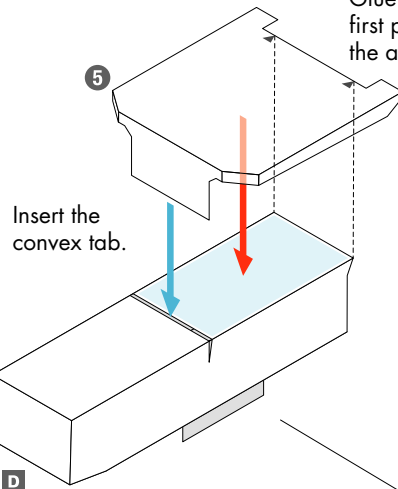


D

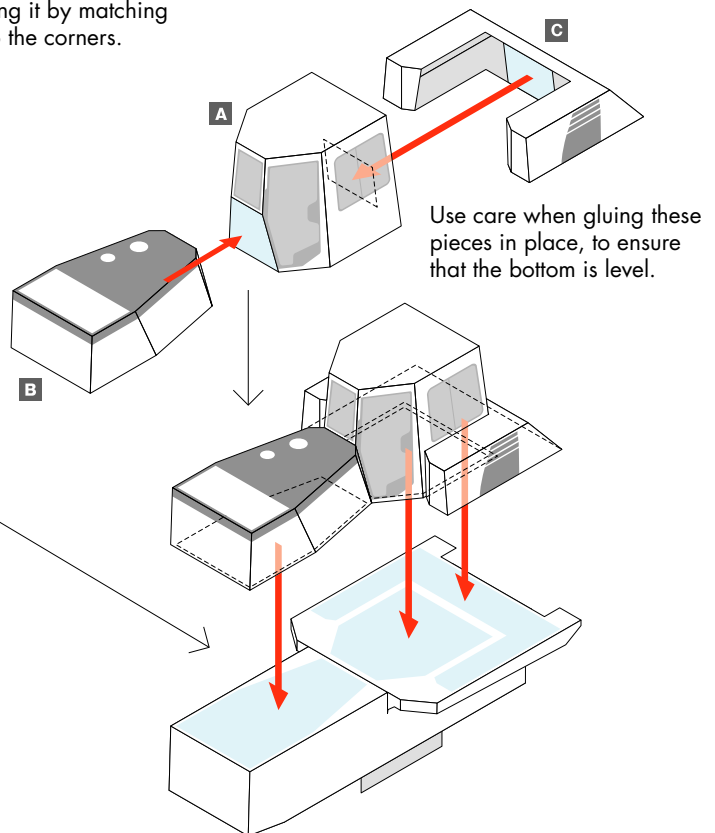
Before assembly, cut out these tabs and fold them using valley folds.

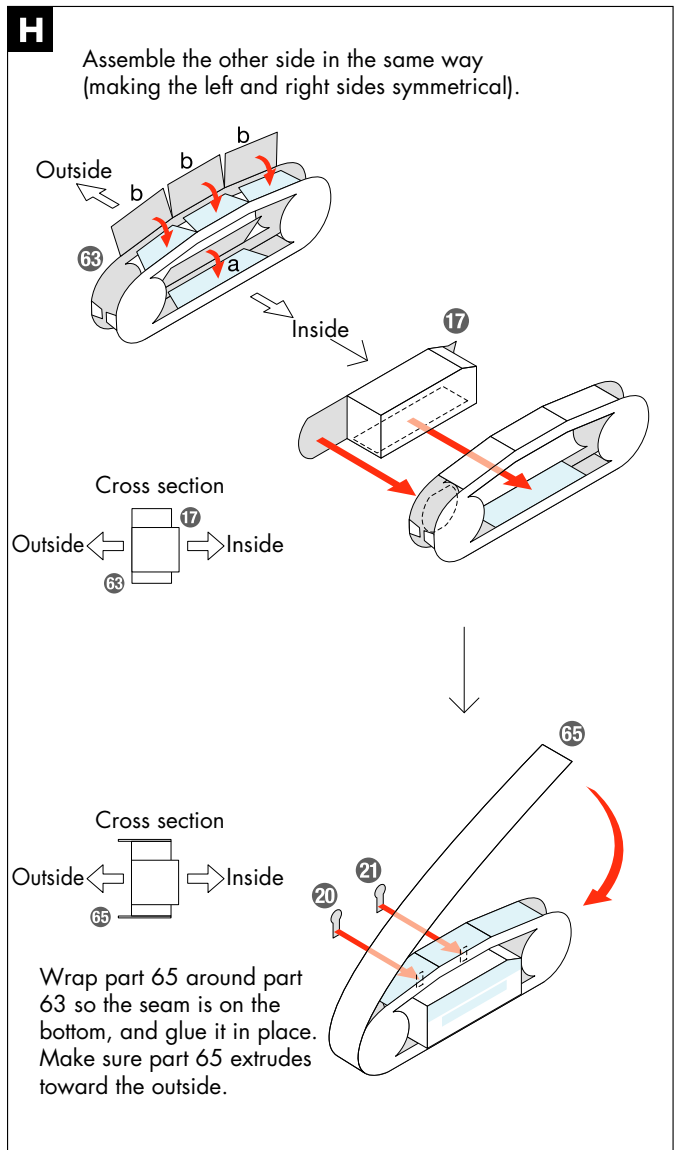
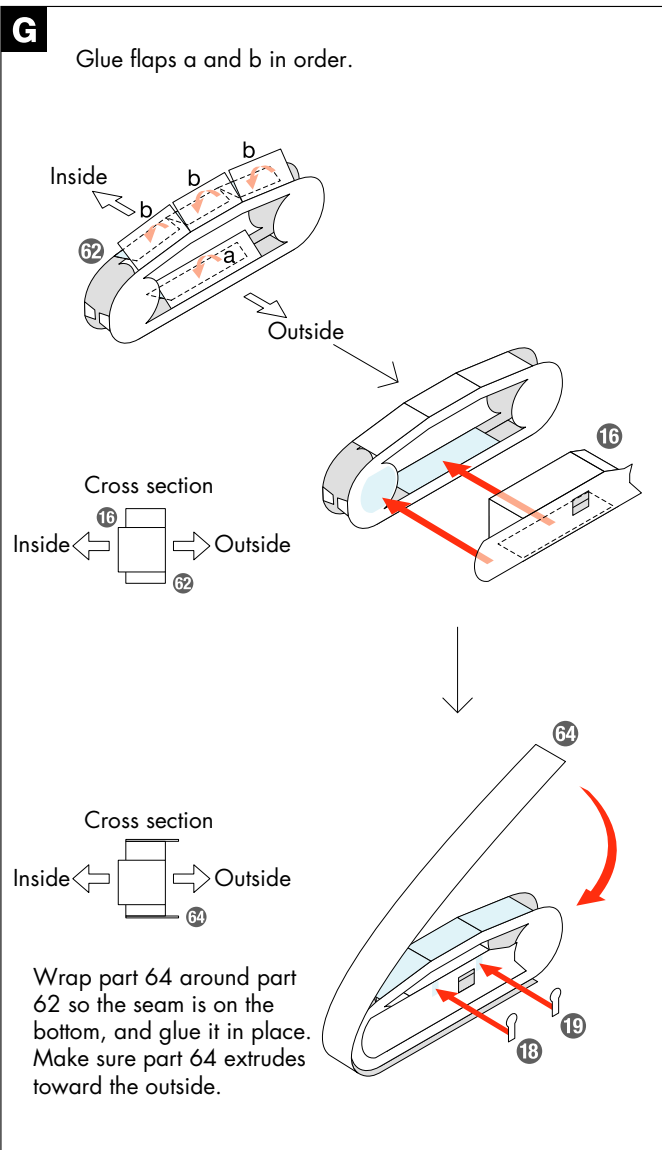
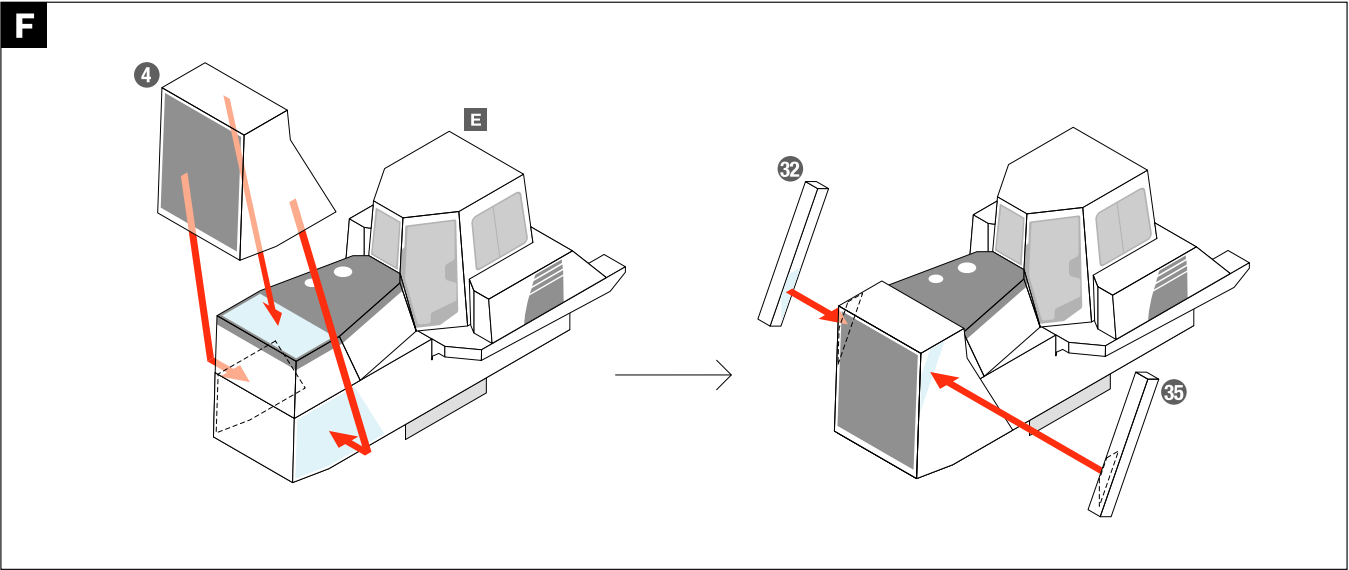


E



Glue this piece in place after first positioning it by matching the arrows to the corners.





I

Refer to the cross-section when assembling parts 22 and 29.

J

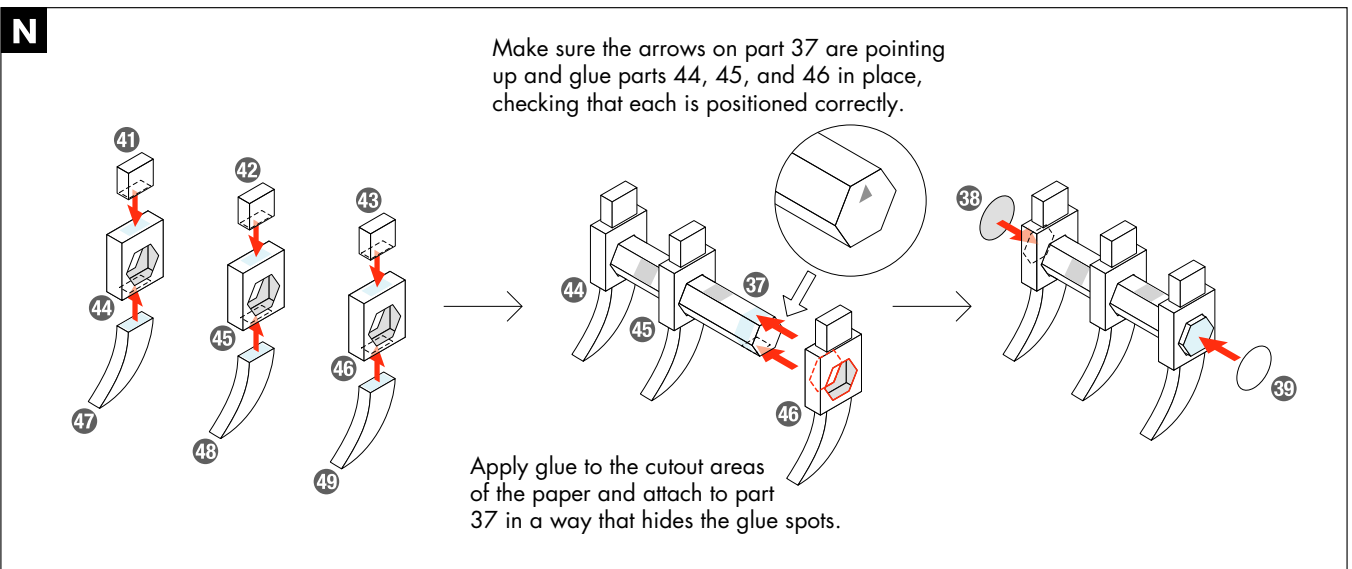
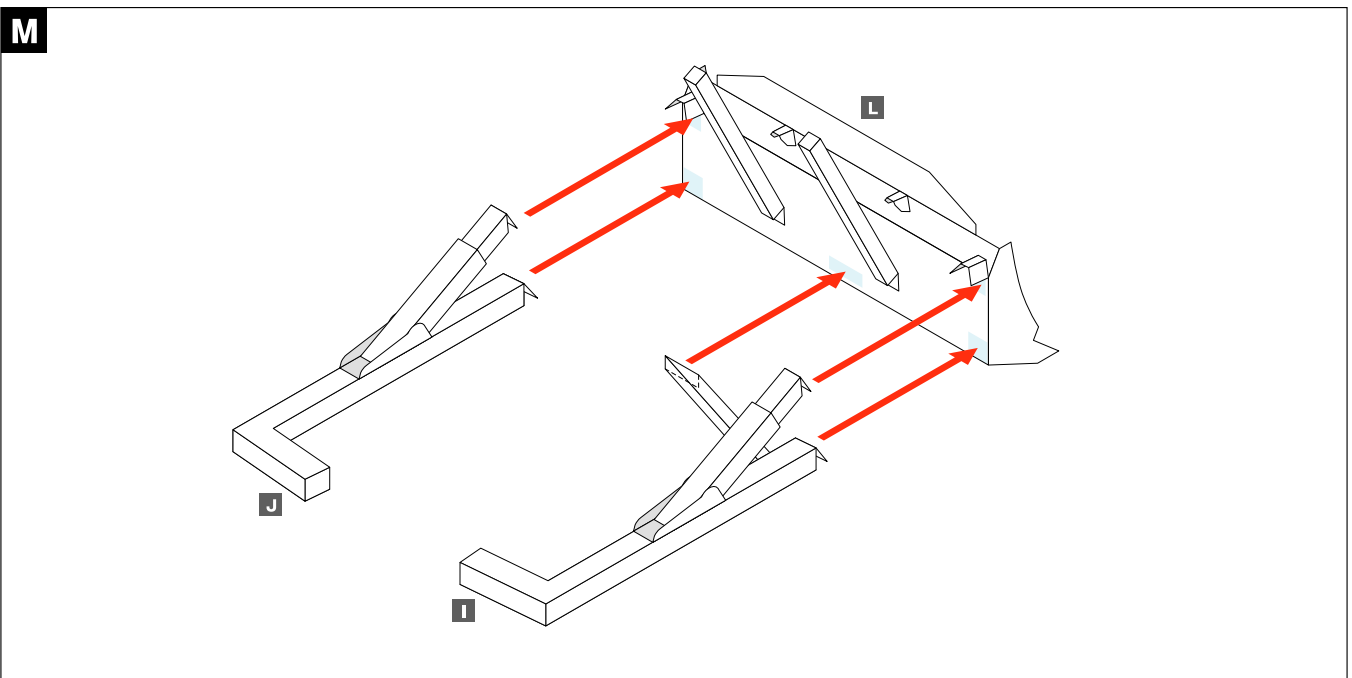
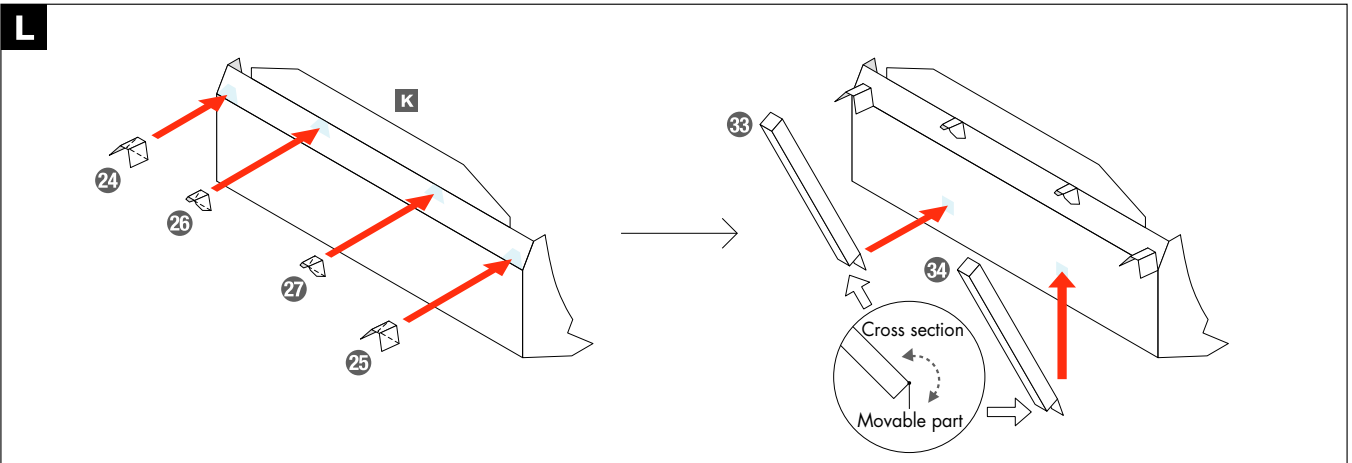
Assemble the other side in the same way (making the left and right sides symmetrical).

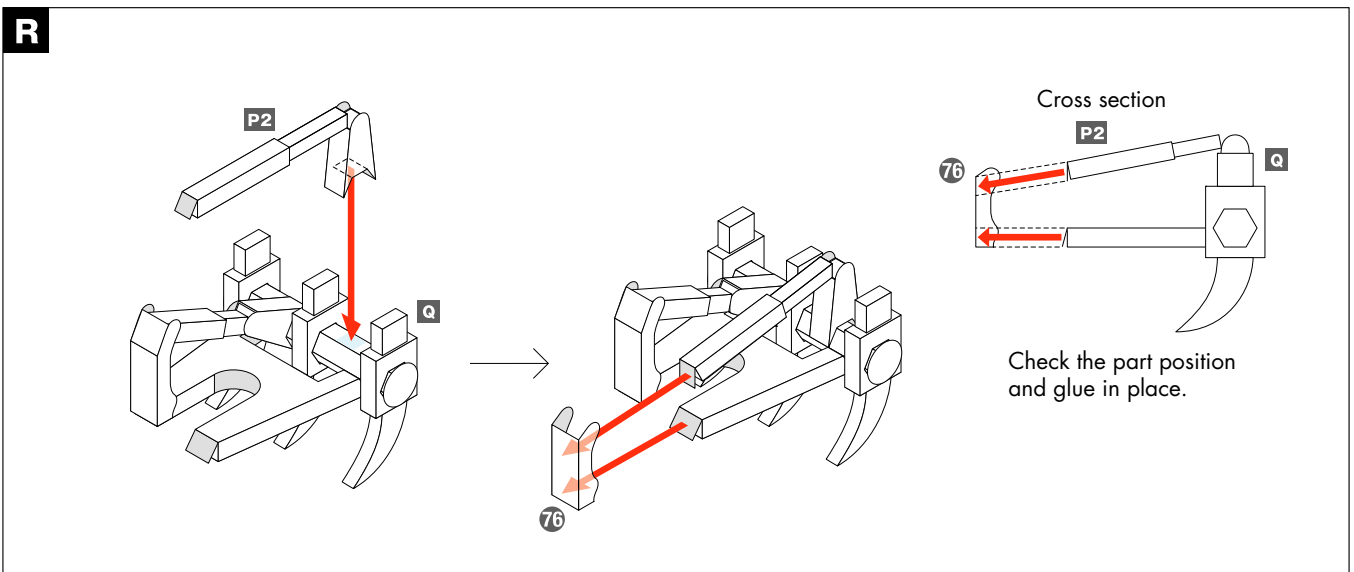
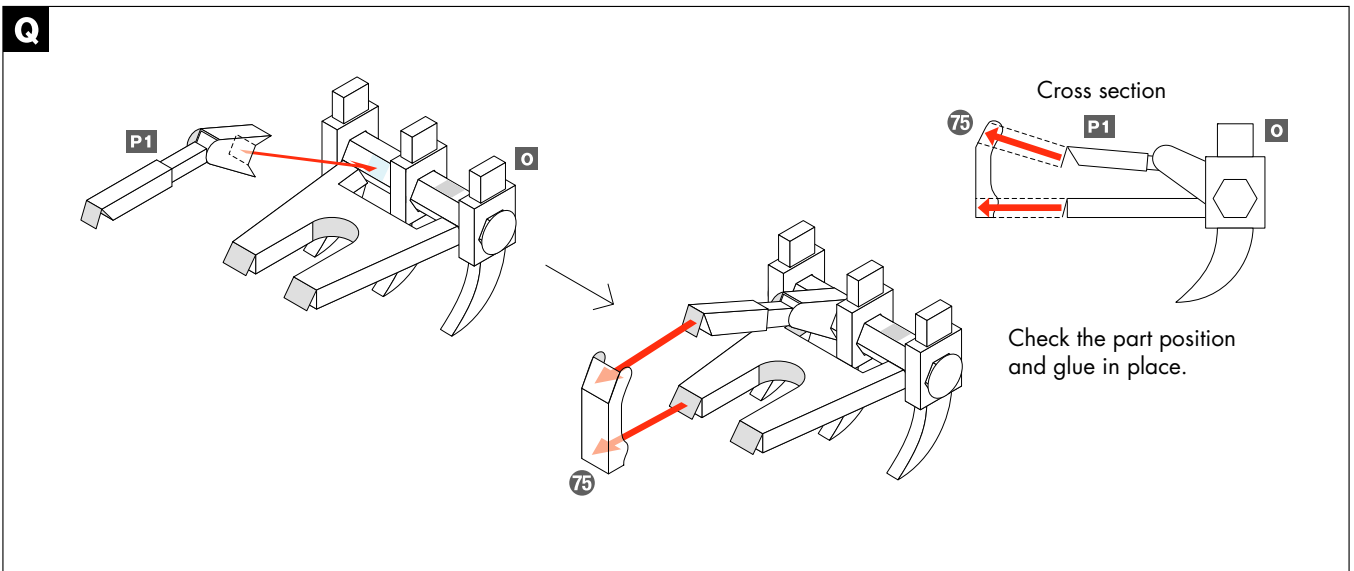
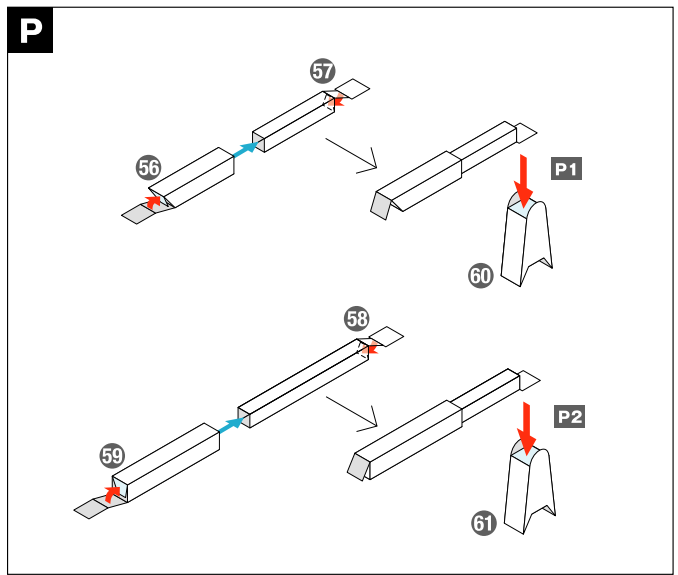
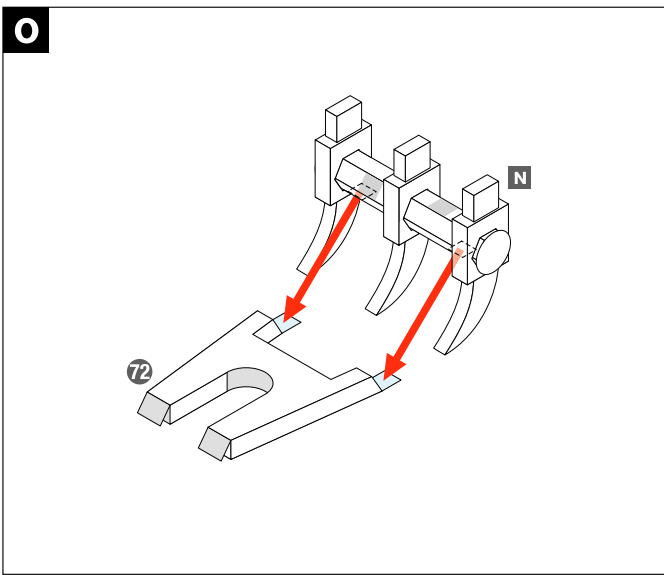
This assembly does not include any parts corresponding to part 36 in assembly **I**.

K

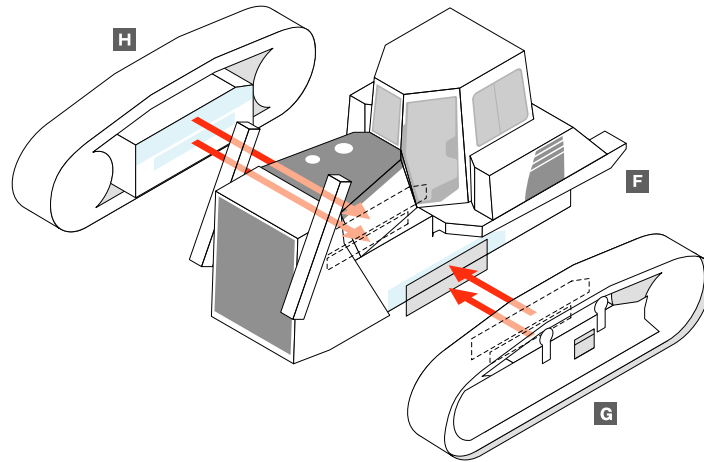
Curving the parts on the inside, glue parts 66, 67, 68, 69, and 70 in position one spot at a time.

Aligning the bottom edges, glue these parts in place in order, starting from the center, and then finish this assembly by gluing the top edge in place.



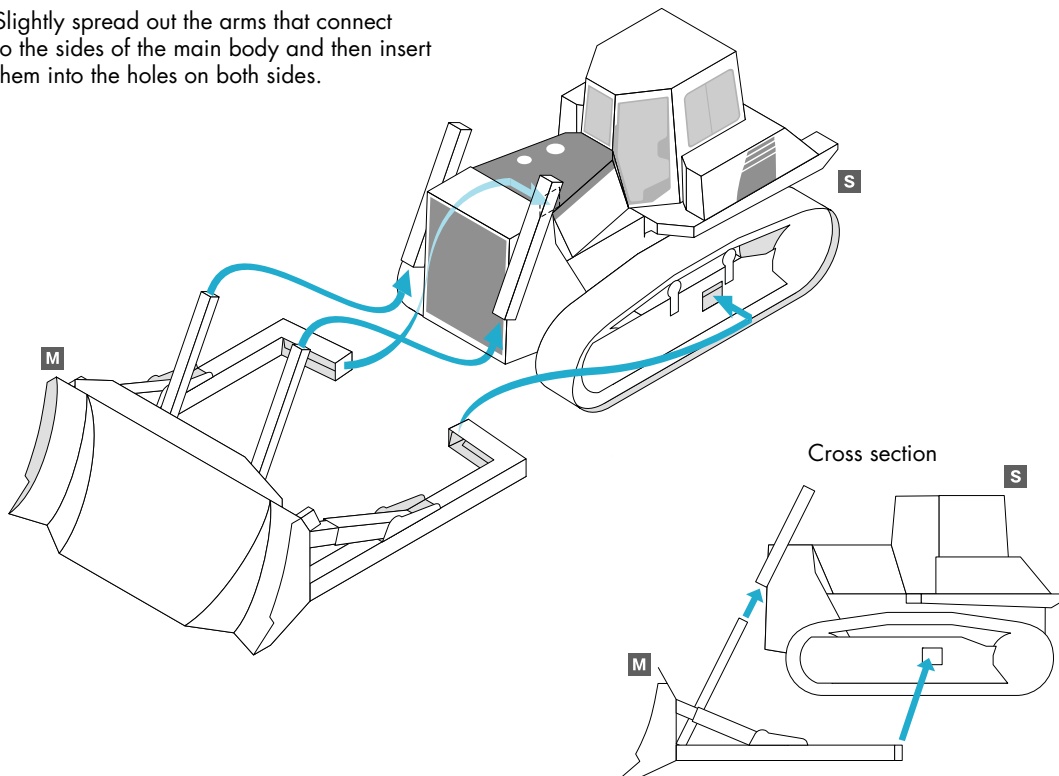


S



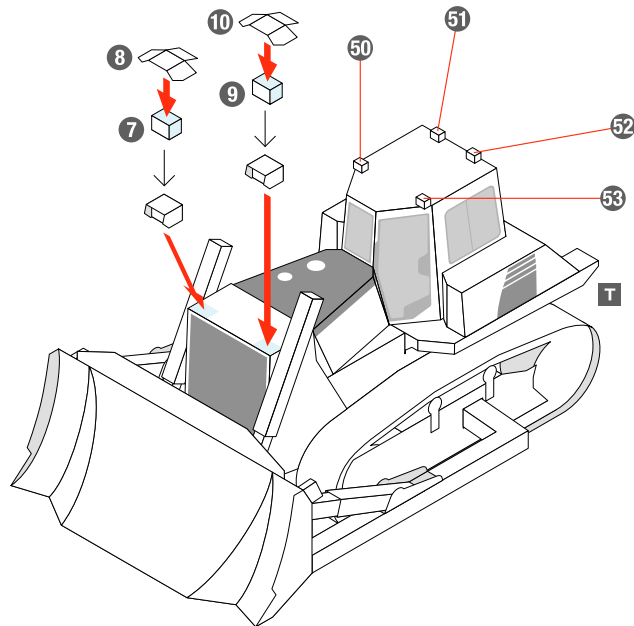
T

Slightly spread out the arms that connect to the sides of the main body and then insert them into the holes on both sides.



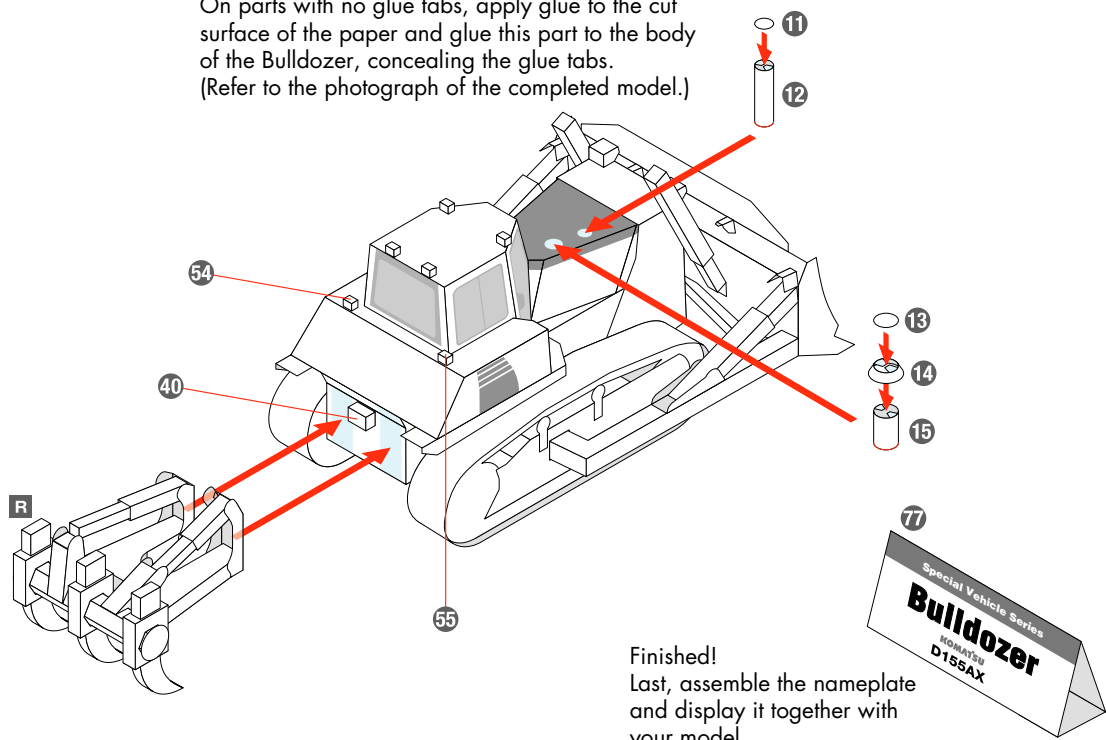
Check the part position and glue in place.

U



V

On parts with no glue tabs, apply glue to the cut surface of the paper and glue this part to the body of the Bulldozer, concealing the glue tabs.
(Refer to the photograph of the completed model.)



Finished!
Last, assemble the nameplate and display it together with your model.