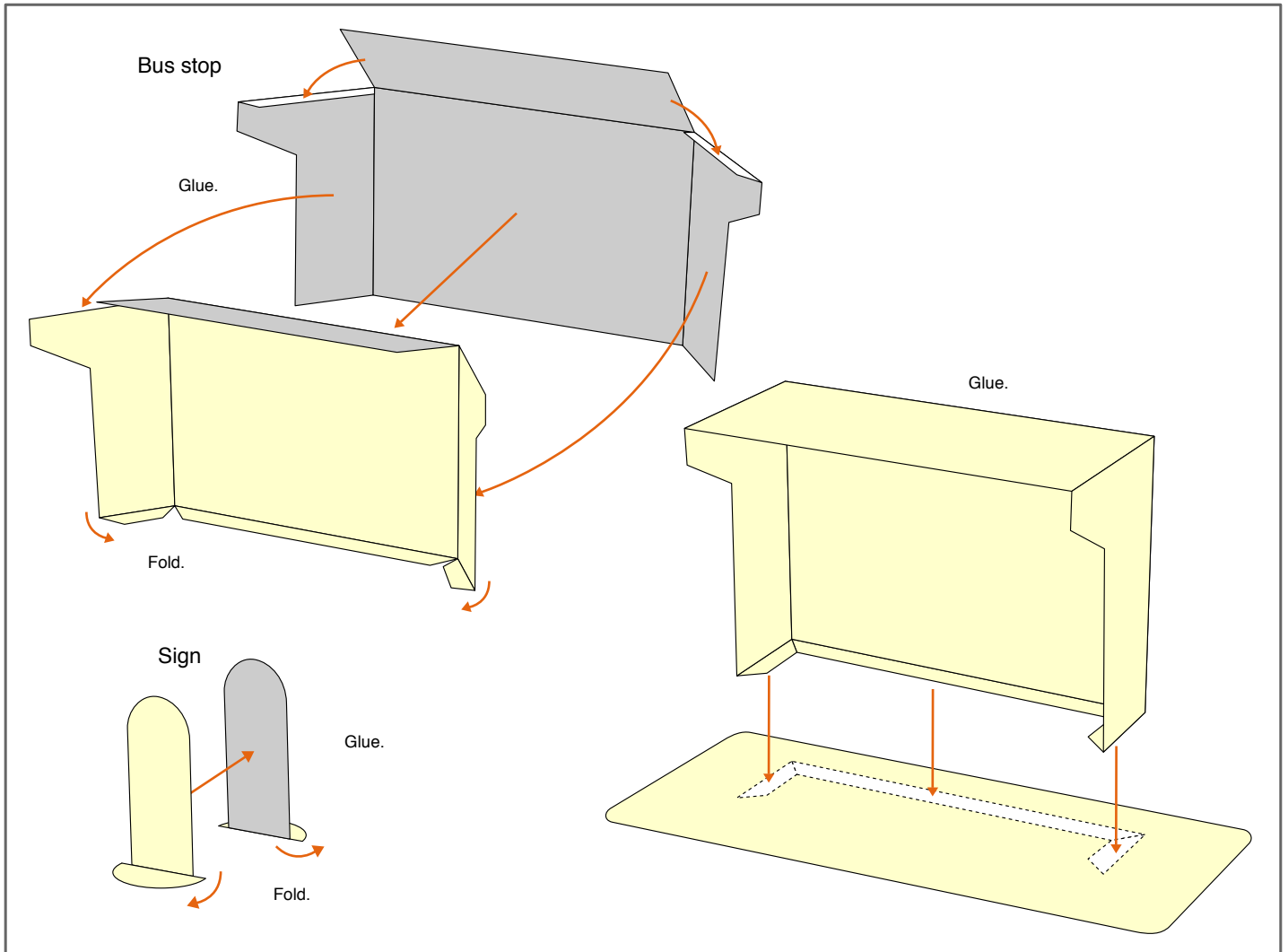


Canon CRAFTOWN : Bus stop [Assembly instructions]

Canon ® is a registered trademark of Canon Inc. © Canon Inc. © Hiroshi Chiba / PAPERART-C



Assembly



Cut line
Cut along the line.



Mountain fold
Make a mountain fold along the line.



Valley fold
Make a valley fold along the line.



Glue spot
Glue together.

You will need

scissors, ruler, glue (we recommend woodwork glue)

Assembly tip

Fold along the mountain fold and valley fold lines to make creases.

Caution

Be very careful when handling scissors. □
Keep glue away from small children.