



The Medium A "Whippet" was developed from the Tritton "Chaser"
 Whippets were assigned to 3rd and 6th Bns (48 each), both in 3rd
 brigade.

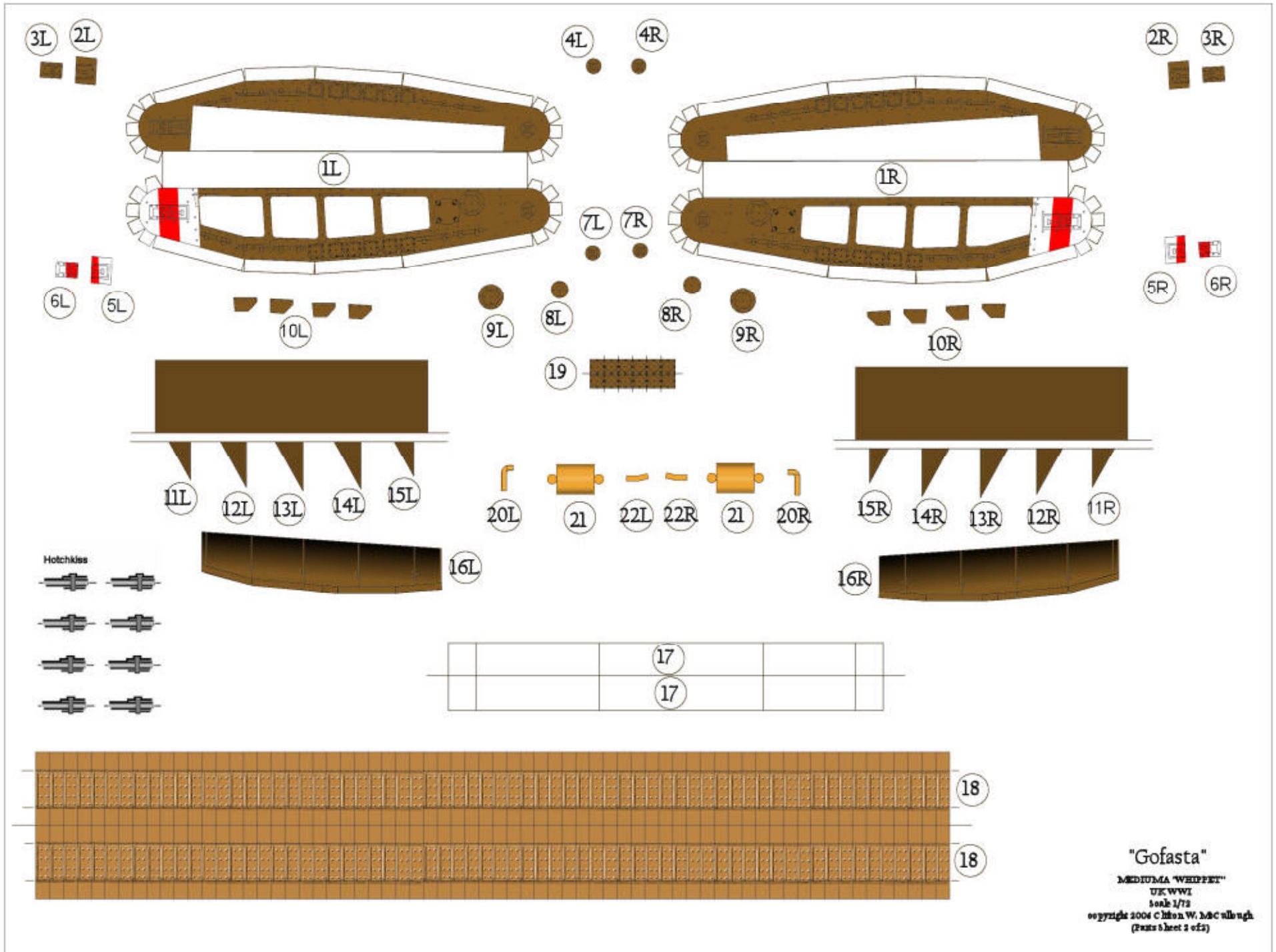
After the war Whippets were sent to Ireland during the Anglo-Irish
 War as part of the British forces there. "Gofasta" was one of these
 tanks. Seventeen Medium A's were sent to Russia to bolster the
 White Army in the Revolution. The Red Army captured twelve of
 these and used them into the Thirties, fitting at least one vehicle with
 a French 37 mm Puteaux gun. The Russians named them "Taylor",
 a misinterpretation of the maker of the tank's engine, Tyler. A few
 were exported to Japan. A single vehicle was sent to South-Africa to
 put down labour unrest, and remains at the Armour College in
 Pretoria. Others may be seen at the Bovington Tank Museum,
 Aberdeen (Maryland), CFB Borden and The Museum of the Army in
 Brussels.

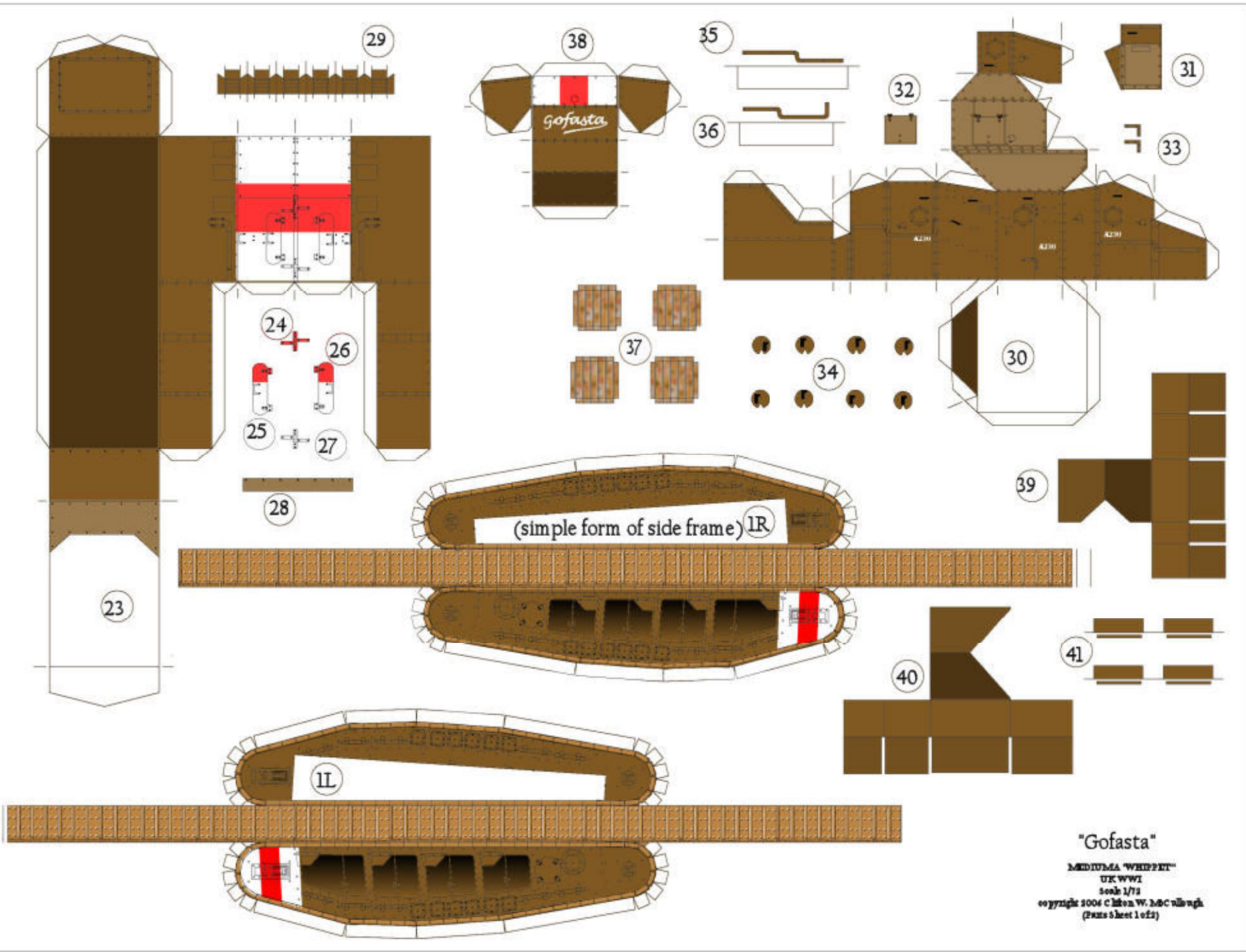
"Gofasta"

UK WWI Tank Medium A

1/72 Scale

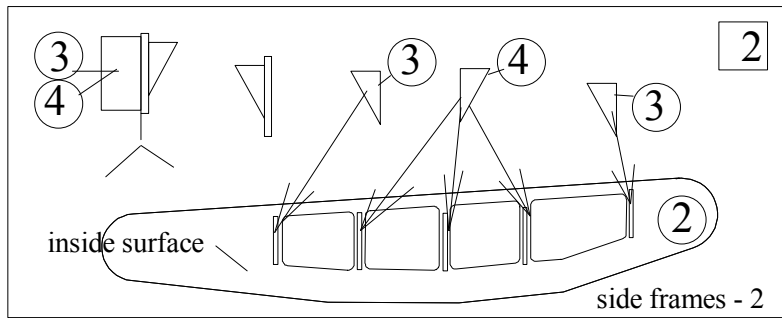
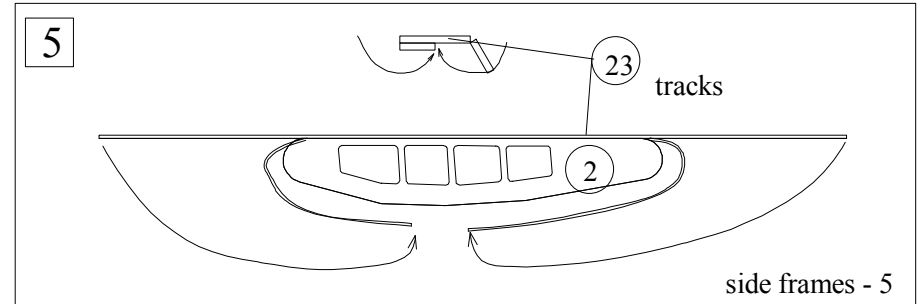
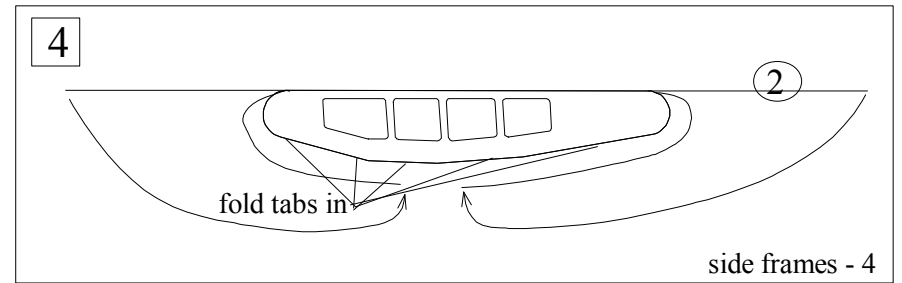
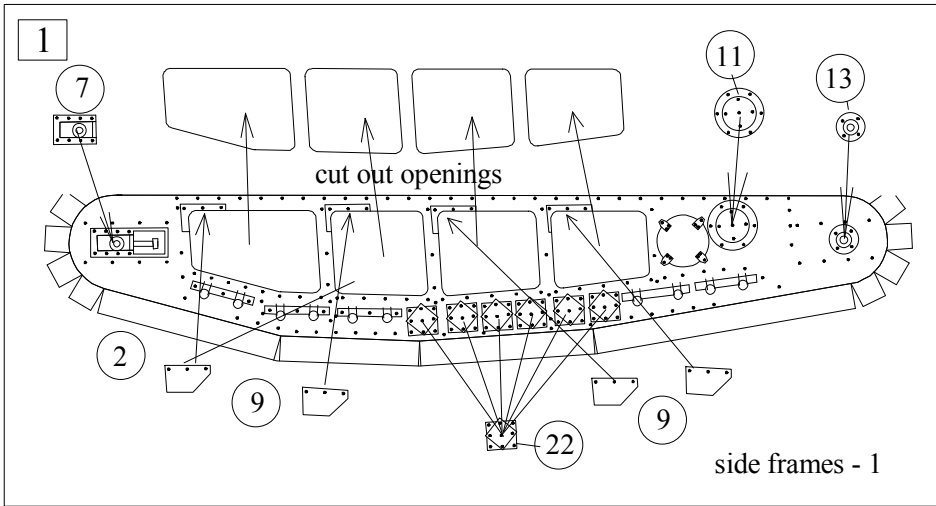
copyright 2006 Clifton W. McCullough



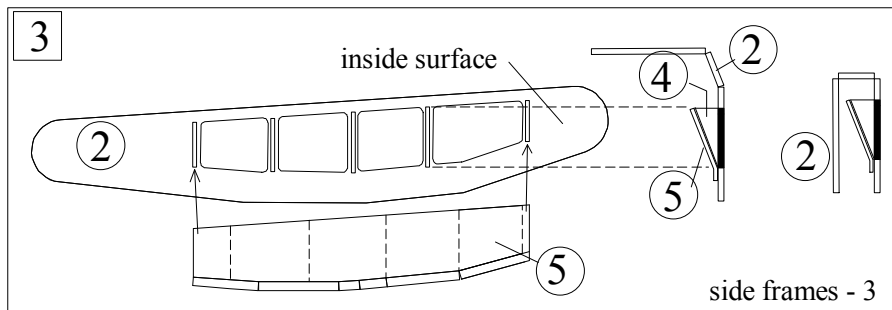


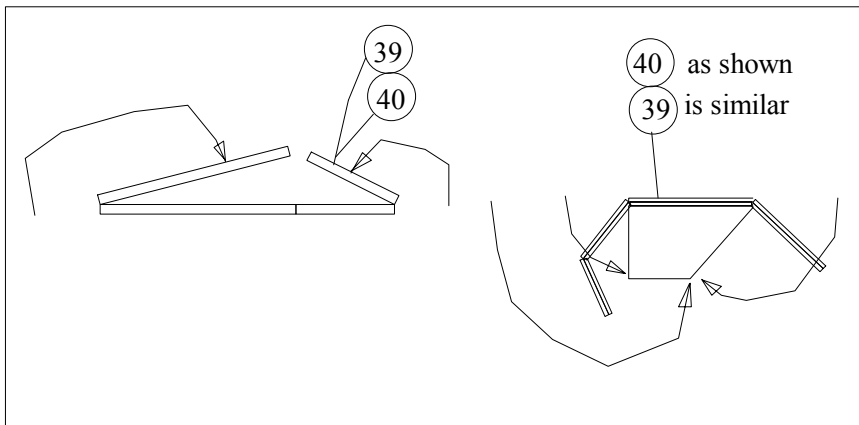
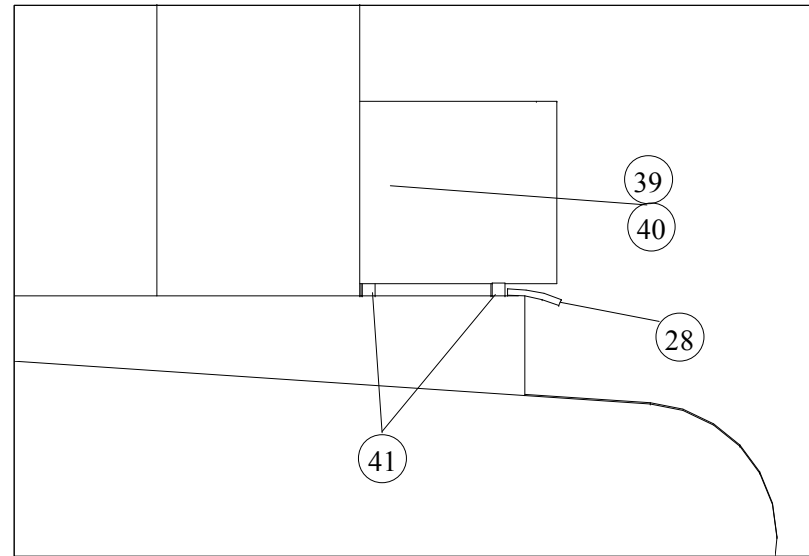
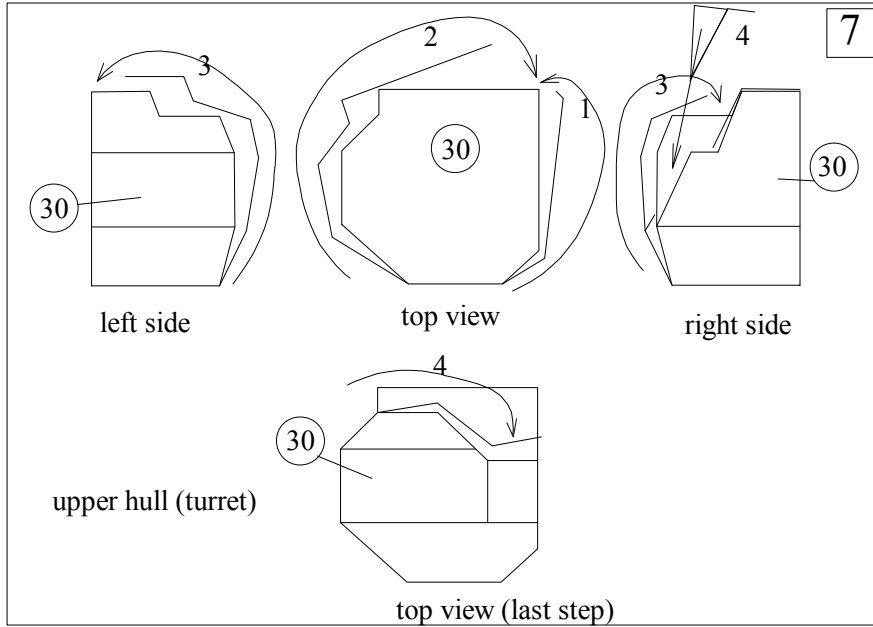
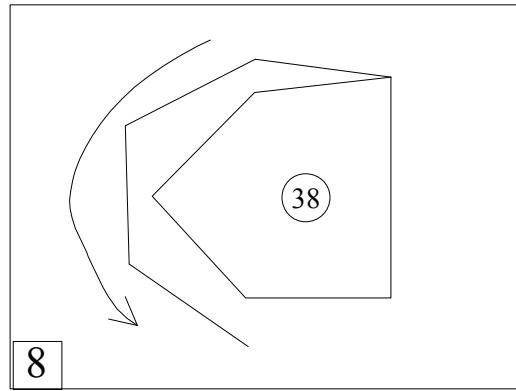
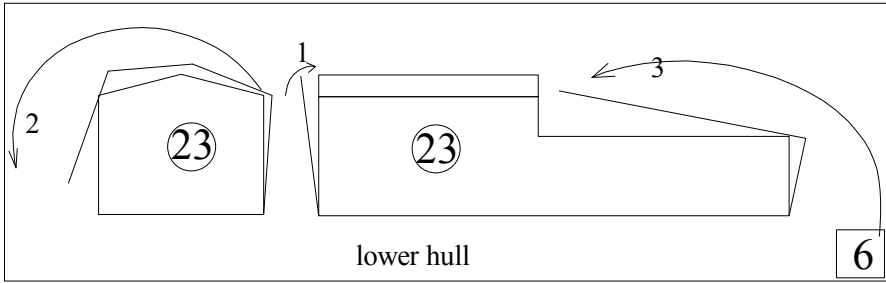
"Gofasta"

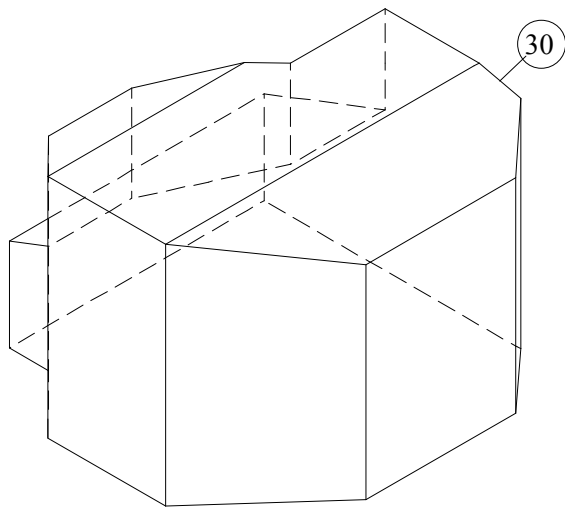
MEDIUMA "WHIPPET"
 UK WW1
 scale 1/72
 copyright 2004 © Mike W. D.C. All rights reserved.
 (Print Sheet 1 of 2)



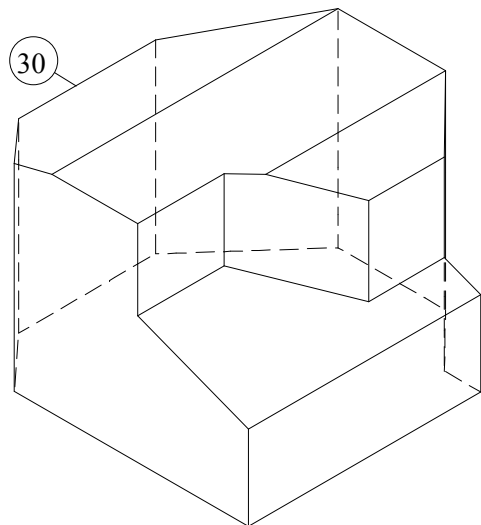
right side as shown
(left side is similar)



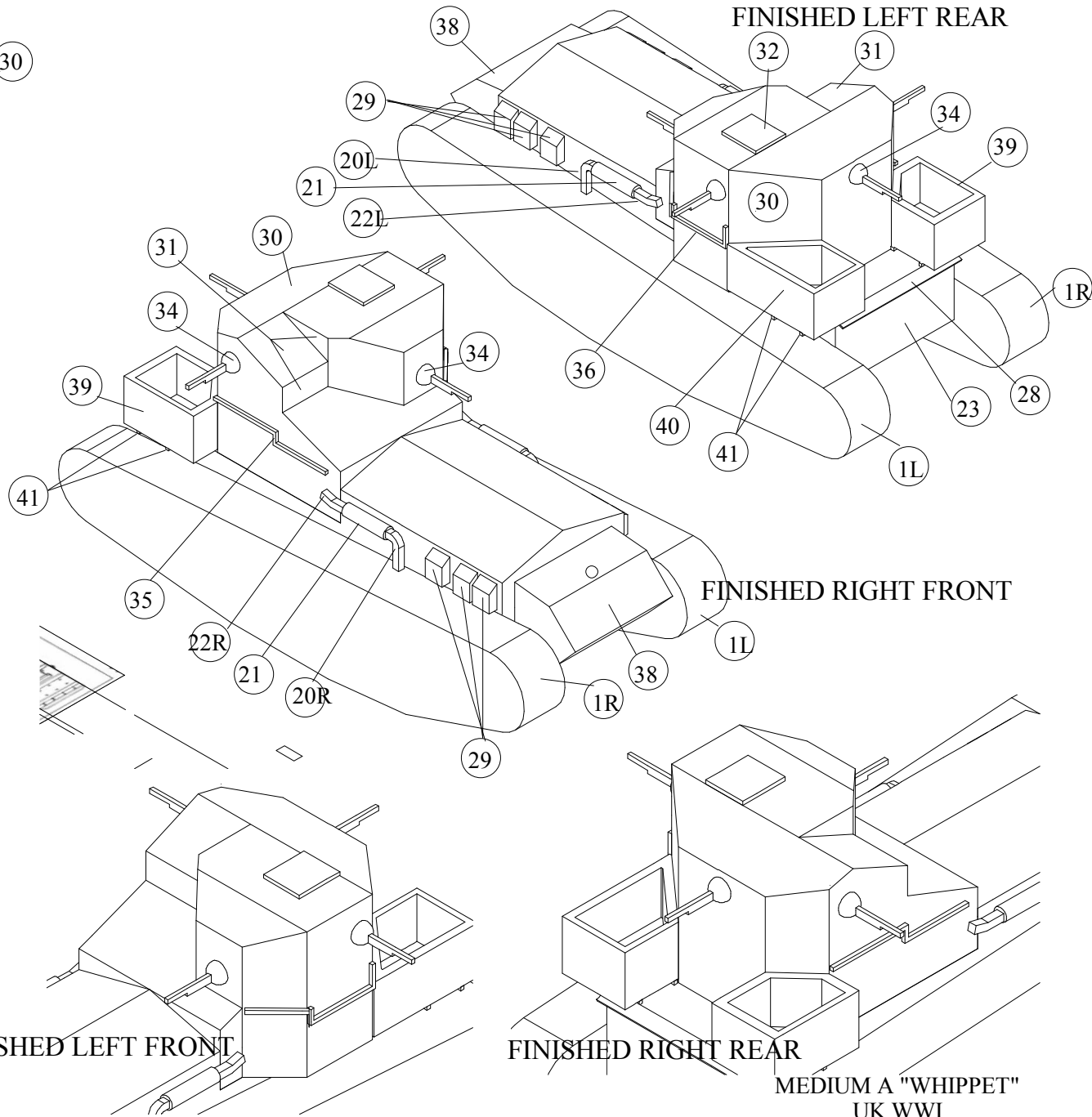




TURRET LEFT REAR



TURRET RIGHT FRONT



FINISHED LEFT REAR

FINISHED RIGHT FRONT

FINISHED LEFT FRONT

FINISHED RIGHT REAR

MEDIUM A "WHIPPET"
UK WWI
Scale 1/72

copyright 2006 Clifton W. McCullough
(Instructions Sheet 3 of 3)