

# Jack Sparrow's Compass Paper Model—License Agreement

By downloading this file and the accompanying Licensed Materials, the end user ("Licensee") agrees to conform to this License Agreement (this "Agreement") with Robert Nava, the Disney Experience website [www.disneyexperience.com] ("Licensor").

## I. Content of Licensed Materials; Grant of License

The materials that are the subject of this Agreement shall consist of the Disneyland Jack Sparrow's Compass Paper Model in electronic and physical form (hereinafter referred to as the "Licensed Materials").

Licensee acknowledges that the copyright and title to the Licensed Materials and any trademarks or service marks relating thereto remain with Licensor and/or its suppliers. Licensee shall not have right, title or interest in the Licensed Materials except as expressly set forth in this Agreement.

Licensor hereby grants to Licensee non-exclusive use of the Licensed Materials in accordance with this Agreement.

## II. Access of Licensed Materials to Licensee

Licensor will provide the Licensed Materials to the Licensee in the following manner:

File Transfer. Copies of the Licensed Materials will be provided to the Licensee through the Disney Experience website at the sole discretion of the Licensor.

## III. Fees

Licensee is required to make no payment to Licensor for use of the Licensed Materials.

## IV. Authorized Use of Licensed Materials

Authorized Uses. Licensee may make all use of the Licensed Materials as is consistent with the Fair Use Provisions of United States and international law. Nothing in this Agreement is intended to limit in any way whatsoever Licensee's rights under the Fair Use provisions of United States or international law to use the Licensed Materials.

The Licensed Materials may be used for purposes of research, education or other non-commercial use as follows:

Archival/Backup Copy. Upon request of Licensee, Licensee may create one (1) copy of the entire set of Licensed Materials to be maintained as a backup or archival copy during the term of this Agreement.

## V. Specific Restrictions on Use of Licensed Materials

Unauthorized Use. Licensee shall not knowingly permit anyone other to use the Licensed Materials.

Modification of Licensed Materials. Licensee shall not modify or create a derivative work of the Licensed Materials without the prior written permission of Licensor.

Removal of Copyright Notice. Licensee may not remove, obscure or modify any copyright or other notices included in the Licensed Materials.

Distribution Rights. Licensee has no rights to transfer, host, or re-distribute the Licensed Materials or its derivatives under any circumstances or by any means available now or in the future.

Commercial Purposes. Other than as specifically permitted in this Agreement, Licensee may not use the Licensed Materials for commercial purposes, including but not limited to the sale of the Licensed Materials or bulk reproduction or distribution of the Licensed Materials in any form.

## **VI. Licensor Performance Obligations**

Availability of Licensed Materials. Licensor shall make the Licensed Materials available to Licensee at his/her discretion.

Notification of Modifications of Licensed Materials. Licensee understands that from time to time the Licensed Materials may be added to, modified, or deleted from by Licensor and/or that portions of the Licensed Materials may migrate to other formats.

Completeness of Content. Where applicable, Licensor will inform Licensee of instances where online content differs from the print versions of the Licensed Materials.

Where applicable, Licensor shall use reasonable efforts to ensure that the online content is at least as complete as print versions of the Licensed Materials, represents complete, accurate and timely replications of the corresponding content contained within the print versions of such Materials, and will cooperate with Licensee to identify and correct errors or omissions.

Withdrawal of Licensed Materials. Licensor reserves the right to withdraw from the Licensed Materials any item or part of an item for which it no longer retains the right to publish, or which it has reasonable grounds to believe infringes copyright or is defamatory, obscene, unlawful or otherwise objectionable.

## **VII. Licensee Performance Obligations**

Protection from Unauthorized Use. Licensee shall use reasonable efforts to protect the Licensed Materials from any use that is not permitted under this Agreement. In the event of any unauthorized use of the Licensed Materials by an Authorized User, (a) Licensor may terminate such Authorized User's access to the Licensed Materials, (b) Licensor may terminate the access of the Internet Protocol ("IP") address(es) from which such unauthorized use occurred, and/or (c) Licensee shall terminate such Authorized User's access to the Licensed Materials upon Licensor's request. Licensor shall take none of the steps described in this paragraph without first providing reasonable notice to Licensee and cooperating with the Licensee to avoid recurrence of any unauthorized use.

## **VIII. Early Termination**

In the event that either party believes that the other materially has breached any obligations under this Agreement, or if Licensor believes that Licensee has exceeded the scope of the License, such party shall so notify the breaching party in writing. The breaching party shall have 1 week from the receipt of notice to cure the alleged breach and to notify the non-breaching party in writing that cure has been effected. If the breach is not cured within the 1 week, the non-breaching party shall have the right to terminate the Agreement without further notice.

Upon Termination of this Agreement for cause online access to the Licensed Materials by Licensee and shall be terminated. Authorized copies of digital Licensed Materials must be destroyed immediately.

## **IX. Perpetual License**

Except for termination for cause, Licensor hereby grants to Licensee a nonexclusive, royalty-free, perpetual license to use any Licensed Materials that were accessible during the term of this Agreement. Such use shall be in accordance with the provisions of this Agreement. The means by which Licensee shall have access to such Licensed Materials shall be in a manner and form substantially equivalent to the means by which access is provided under this Agreement.

## **X. Warranties**

Subject to the Limitations set forth elsewhere in this Agreement:

Licensor warrants that it has the right to license the rights granted under this Agreement to use Licensed Materials, that it has obtained any and all necessary permissions from third parties to license the Licensed Materials, and that use of the Licensed Materials by Authorized Users in accordance with the terms of this Agreement shall not infringe the copyright of any third party.

## **XI. Limitations on Warranties**

Notwithstanding anything else in this Agreement:

Neither party shall be liable for any indirect, special, incidental, punitive or consequential damages, including but not limited to loss of data, business interruption, or loss of profits, arising out of the use of or the inability to use the Licensed Materials.

Licensor makes no representation or warranty, and expressly disclaims any liability with respect to the content of any Licensed Materials, including but not limited to errors or omissions contained therein, libel, infringement of rights of publicity, privacy, trademark rights, moral rights, or the disclosure of confidential information.

Except for the express warranties stated herein, the Licensed Materials are provided on an "as is" basis, and Licensor disclaims any and all other warranties, conditions, or representations (express, implied, oral or written), relating to the Licensed Materials or any part thereof, including, without limitation, any and all implied warranties of quality, performance, merchantability or fitness for a particular purpose. Licensor makes no warranties respecting any harm that may be caused by the transmission of a computer virus, worm, time bomb, logic bomb or other such computer program. Licensor further expressly disclaims any warranty or representation to Authorized Users, or to any third party.

## **XII. Assignment and Transfer**

Neither party may assign, directly or indirectly, all or part of its rights or obligations under this Agreement without the prior written consent of the other party, which consent shall not be unreasonably withheld or delayed.

## **XIII. Governing Law**

This Agreement shall be interpreted and construed according to, and governed by, the laws of California, excluding any such laws that might direct the application of the laws of another jurisdiction. The federal or state courts located in California shall have jurisdiction to hear any dispute under this Agreement.

## **XIV. Entire Agreement**

This Agreement constitutes the entire agreement of the parties and supersedes all prior communications, understandings and agreements relating to the subject matter hereof, whether oral or written.

## **XV. Amendment**

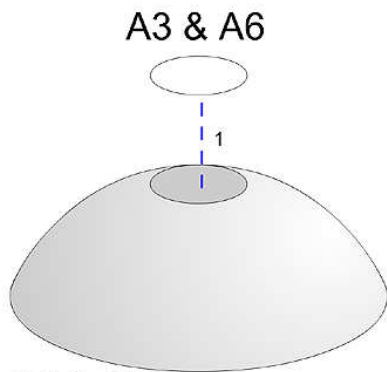
No modification or claimed waiver of any provision of this Agreement shall be valid except by written amendment signed by authorized representatives of Licensor and Licensee.



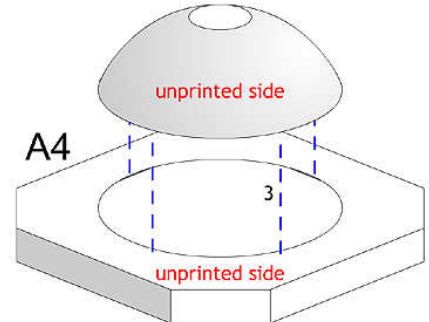
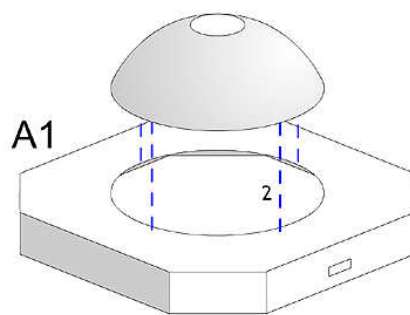
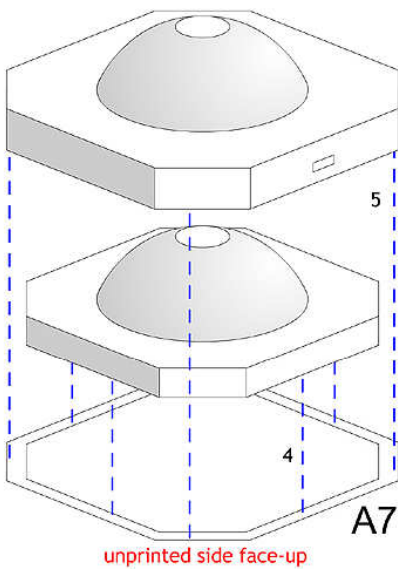
# Jack Sparrow's COMPASS

Look through the pages and become acquainted with the various pieces. Read the instructions and study the illustrations to know what/where to cut/fold. Before gluing, always dry-fit the pieces to ensure that they fit properly.

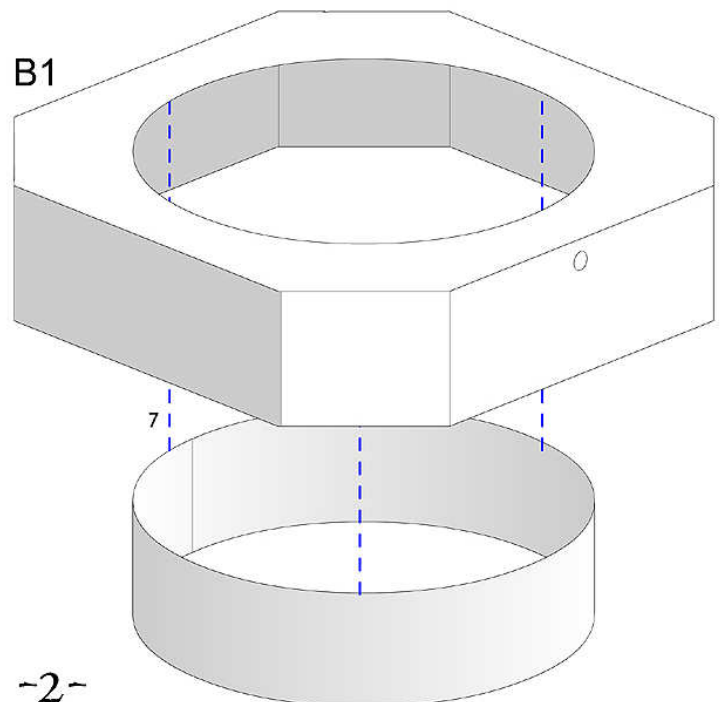
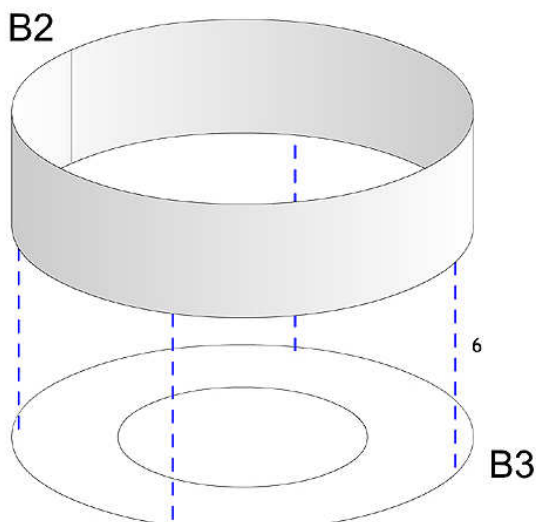
When assembling the model and following the instructions, do not take the illustrations too literally. In many cases, pieces will be simplified. Other times, pieces (or entire sections) may be missing that were once displayed. This does not mean you should disassemble your model—ever.

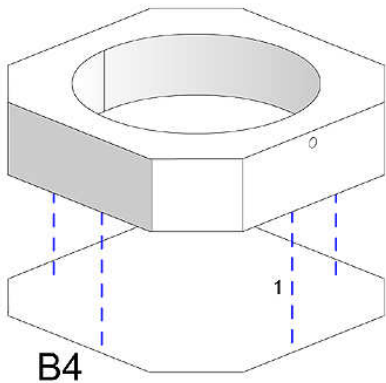


A2 & A5

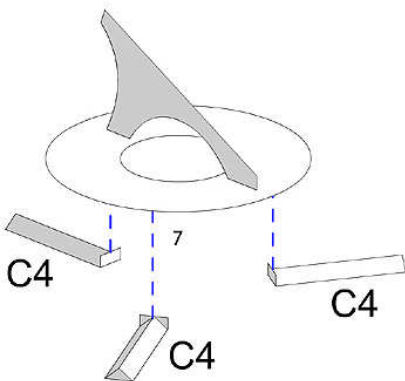
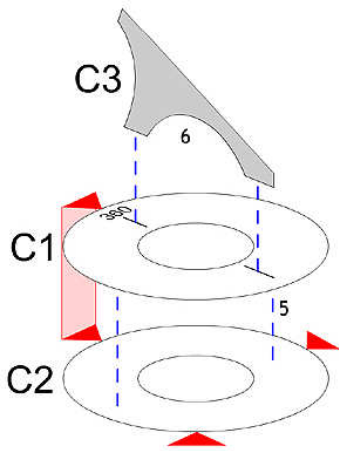
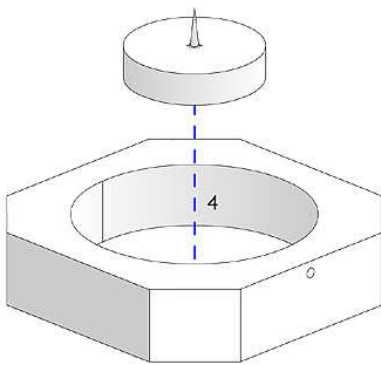
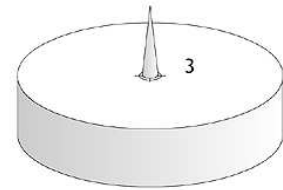
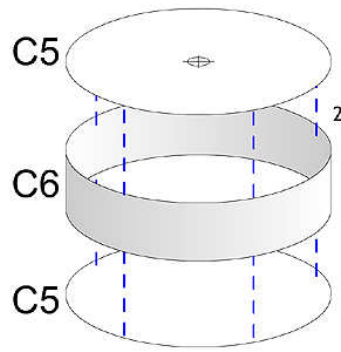


1. Glue pieces A2/3 & A5/6 together to form two separate domes (black & blue). Pieces A2/3 should have the printed sides facing outward. Pieces A5/6 should have the printed sides facing inward.
2. Assemble piece A1 (printed side outward) as shown. Then, glue the black dome to piece A1.
3. Assemble piece A4 (printed side inward) as shown. Then, glue the blue dome to piece A4.
4. Glue piece A7 (unprinted side face-up) to the underside of the inner lid. The hinge marks the backside of the compass.
5. Glue the inner lid assembly to the inside of the outer lid assembly with the hinge facing the back. The lid should be completely enclosed now, with all of the printed sides visible.
6. Glue piece B2 to itself with the printed side facing inward. The side with the grey edge and white triangles faces upward. Glue piece B2 to piece B3.
7. Cut a slit along the small white line on piece B1, then assemble as shown. Glue the inner assembly to the inside of piece B1. Be sure that the seam of piece B2 points to the back of the compass, toward the hinge.

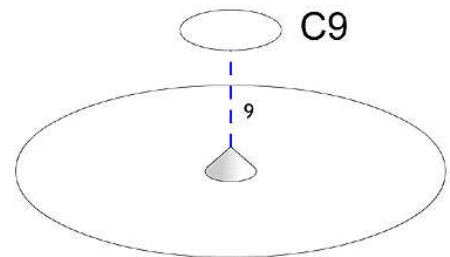
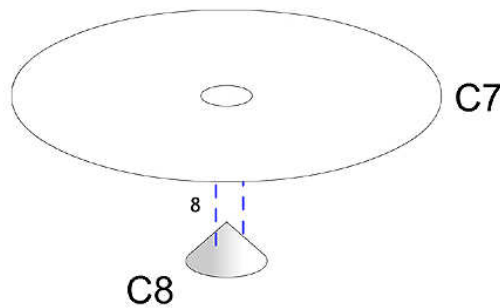


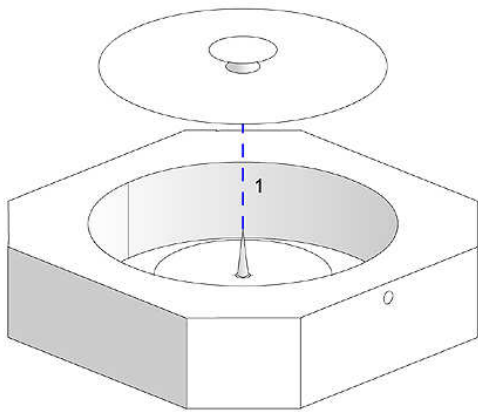


B4

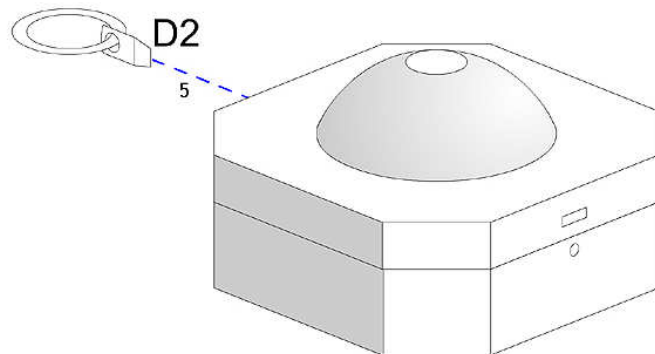
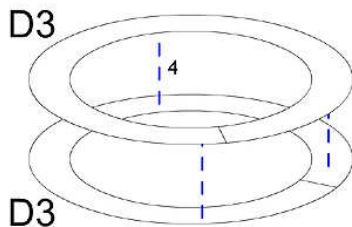
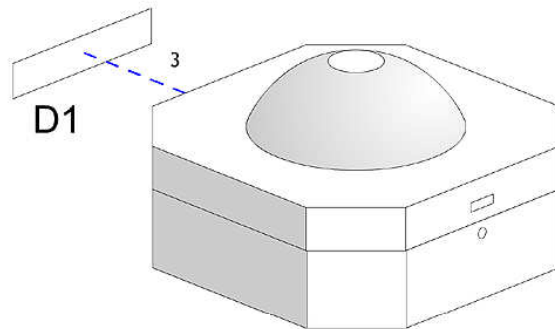
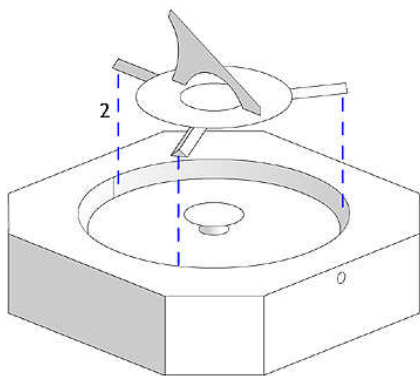


1. Glue piece B4 to the bottom of piece B1, gluing only along the tabs. DO NOT glue to the center!
2. Glue piece C6 to itself. Glue pieces C5 to the top and bottom of piece C6. Be sure that the crosshairs face the outside. When the piece is dry, poke a hole in the center of one of the crosshairs. The side with the hole will be the top.
3. Cut off the end of a toothpick, 1.5 centimeters long. Insert and glue the toothpick into the hole of piece C5, the point facing upward. Hold the piece up to a strong light source and align the bottom of the toothpick onto the crosshair on the bottom. This will keep the toothpick straight.
4. When dry, glue the balancing rig into the center of the compass base.
5. Glue pieces C1 & 2 together, printed side facing outward. Make sure that one of the white lines on piece C2 lines up with the 360° mark on piece C3, otherwise the compass innards will not line up correctly.
6. Assemble piece C3 and glue to piece C1 as shown.
7. Assemble pieces C4 as shown and glue to the pointer, gluing to the white markers underneath.
8. Assemble piece C8. Glue piece C7 over the tip of piece C8. Work on a flat, level surface. Balance piece C7 so that it does not tip to any one side.
9. Glue piece C9 to the tip of piece C8, balancing it in the center.





1. Balance the spinner on the tip of the toothpick. DO NOT GLUE.
2. Glue the pointer arms to the three white triangles inside the compass base.
3. Glue piece D1 to the compass lid and base to form the hinge.
4. Cut a slit through pieces D3. Glue the pieces together, but do not line up the slits that you made; you want the ends of the pieces to create overhangs.
5. Assemble piece D2. Loop the ring (pieces D3) through the hole in piece D2. Glue the ring's overhanging ends together to seal the ring.
6. Assemble piece D4 & 5 as shown and glue to to the front of the compass. When dry, carefully test the latch; you may have to widen the latch's hole for a proper fit.



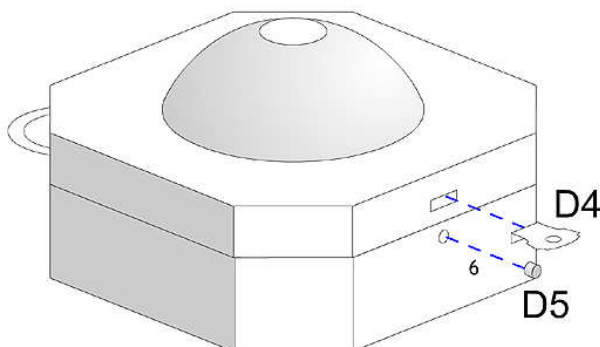
Congratulations! You've completed the model.

## Jack Sparrow's COMPASS

Download and create even more swashbuckling projects, all waiting  
for you at

**THE DISNEY EXPERIENCE**  
ADD A TOUCH OF DISNEY MAGIC TO YOUR COMPUTER

[WWW.DISNEYEXPERIENCE.COM](http://WWW.DISNEYEXPERIENCE.COM)



-4-