

Chevrolet Confederate Deluxe Sports Roadster

Assembly Instructions

CREATIVE PARK

<http://www.canon.com/c-park/>



View of completed model * This model was designed for Papercraft and may differ from the original in some respects.






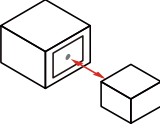
Assembly tip

- Write the number of each part on the reverse side of the part in pencil upon cutting it out, to be sure you can tell which part is which later.
- Before gluing, crease the paper along mountain and valley fold lines. Trace along the folds with a ruler and an exhausted ballpoint pen (out of ink) to get a sharper fold.
- Make sure rounded sections are nice and stiff.


Tools

- Scissors
- Ruler, set square
- Glue (Wood glue or craft glue recommend)
- Exhausted ballpoint pen (out of ink)
- Toothpicks (for use in applying glue)
- Tweezers (useful for handling small parts)
- Pencil

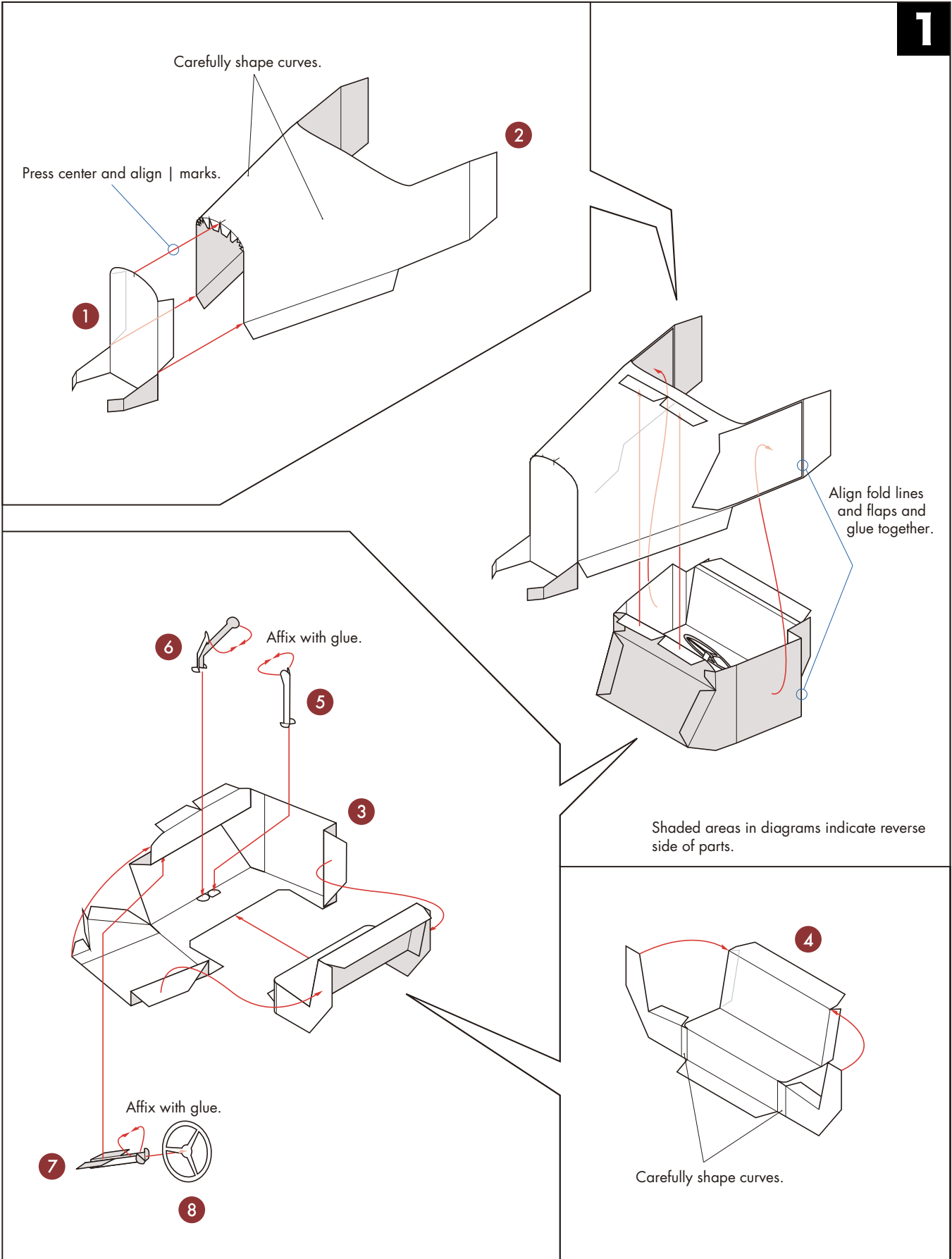
Key to symbols

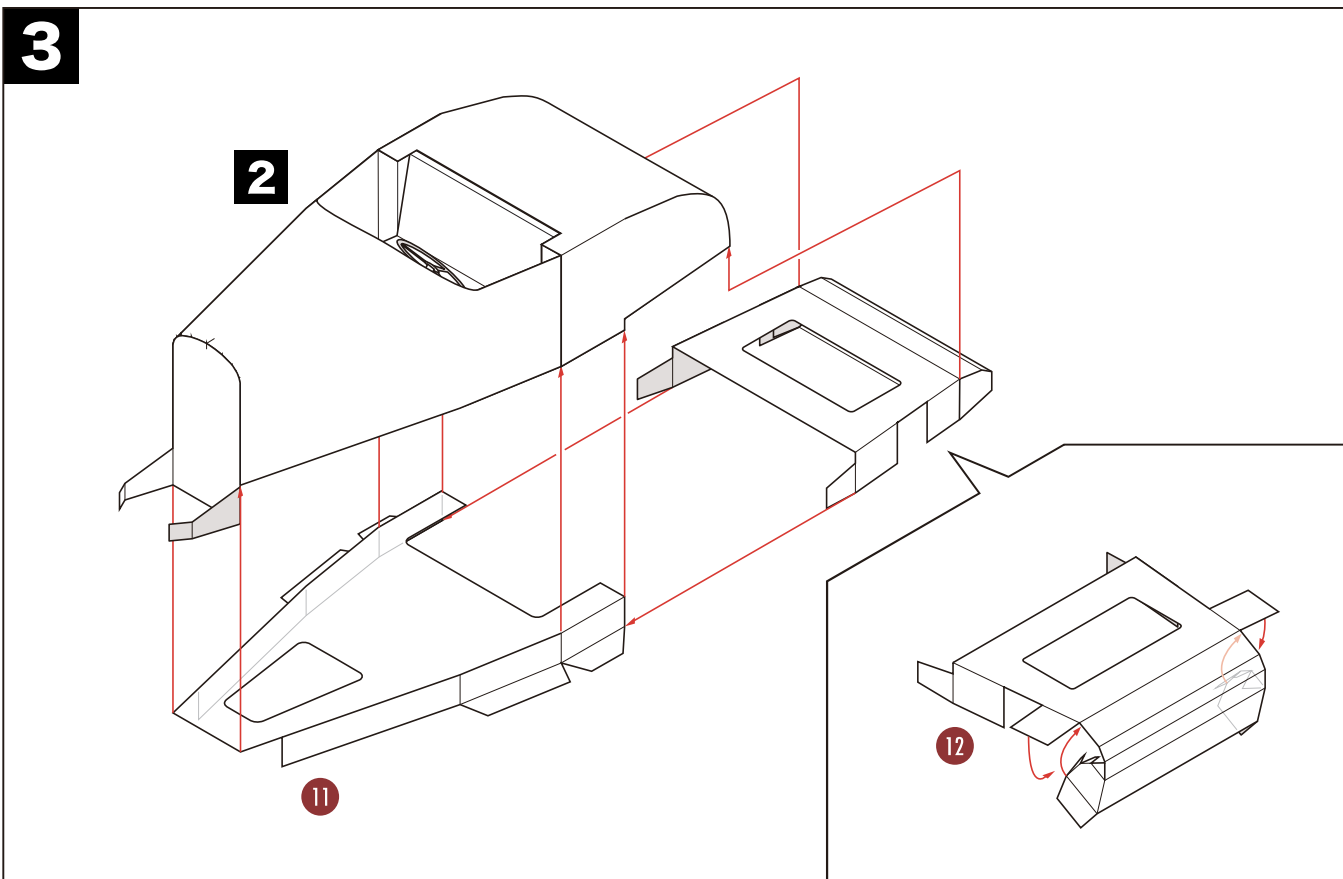
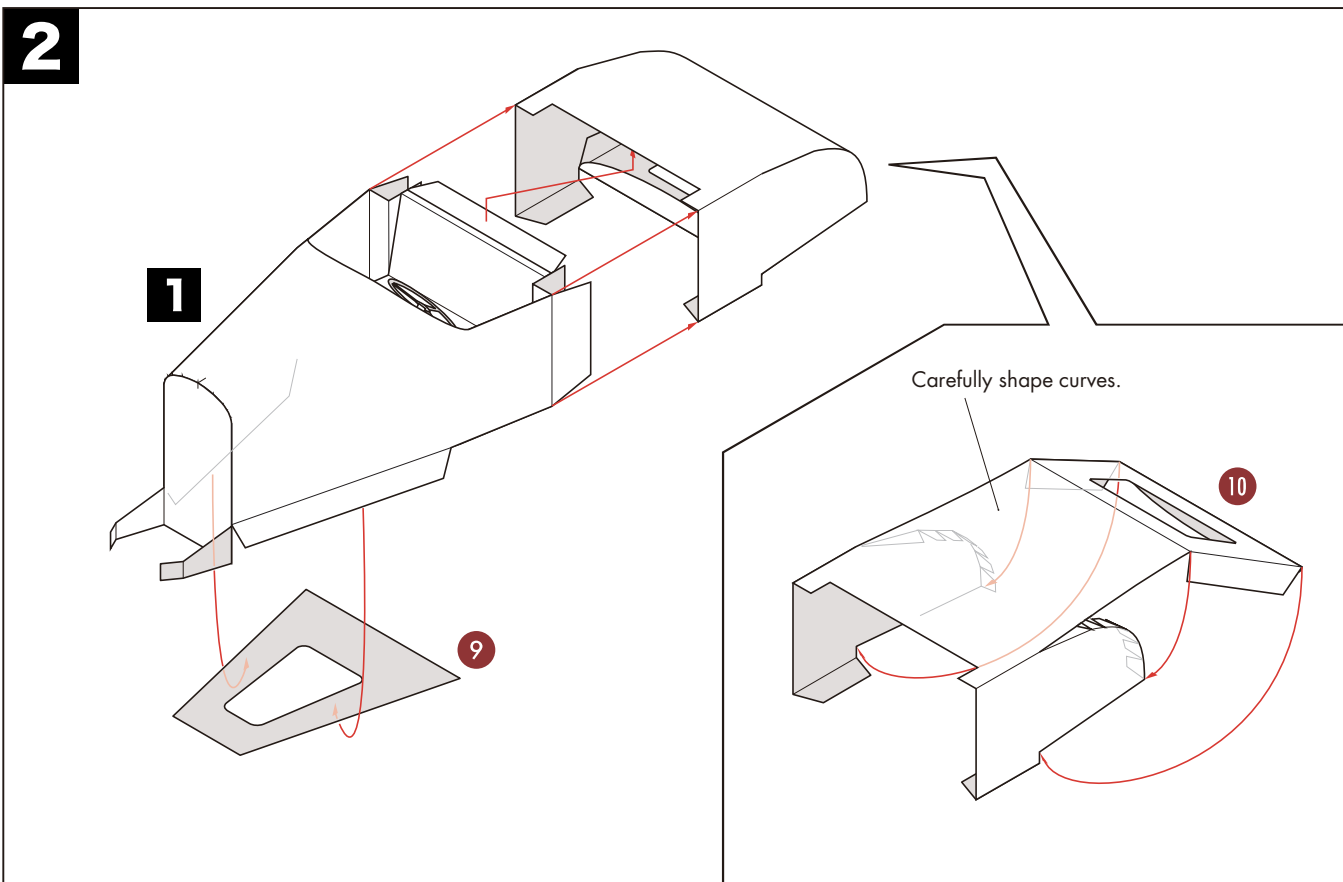
<p>———— Mountain fold Dotted line</p> <p>— · — · — Valley fold Dashed and dotted line</p> <p>———— Cut a notch along this line. Solid line</p> <p>✂ Scissors mark</p>	<p> Fold so that the printed pattern faces outside.</p> <p> Fold so that the printed pattern faces inside.</p> <p> Cut along the center of the line.</p> <p> Cut a notch along the line.</p> <p> Cut these areas out.</p>	<p> Dots indicate parts to be glued; dotted lines indicate approximate area for application of glue.</p> <p>● Red dot Glue parts with the same number together.</p> <p>● Green dot Glue areas within the same part together.</p> <p>● Blue dot Glue to the reverse side of the specified part.</p>
--	--	--

- Assembly Instructions : Six A4 sheets (No. 1 to No. 6)
Build this model with careful reference to the Assembly Instructions.

 Glue, scissors and other tools may be dangerous to young children so be sure to keep them out of the reach of young children.

1

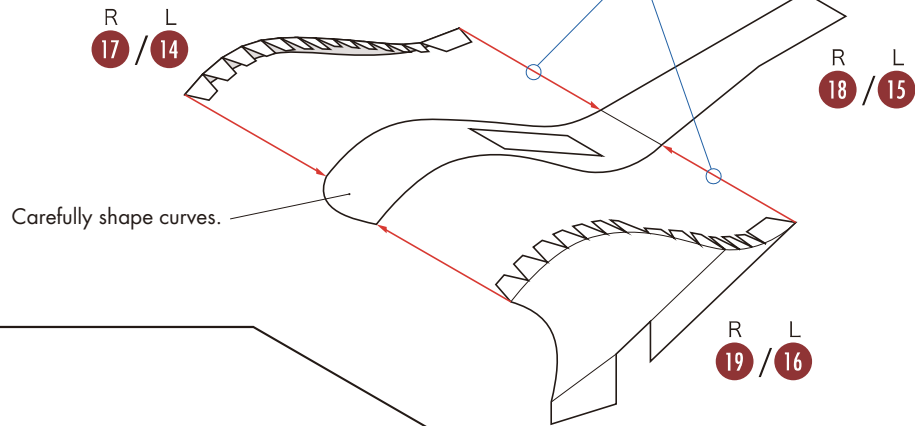




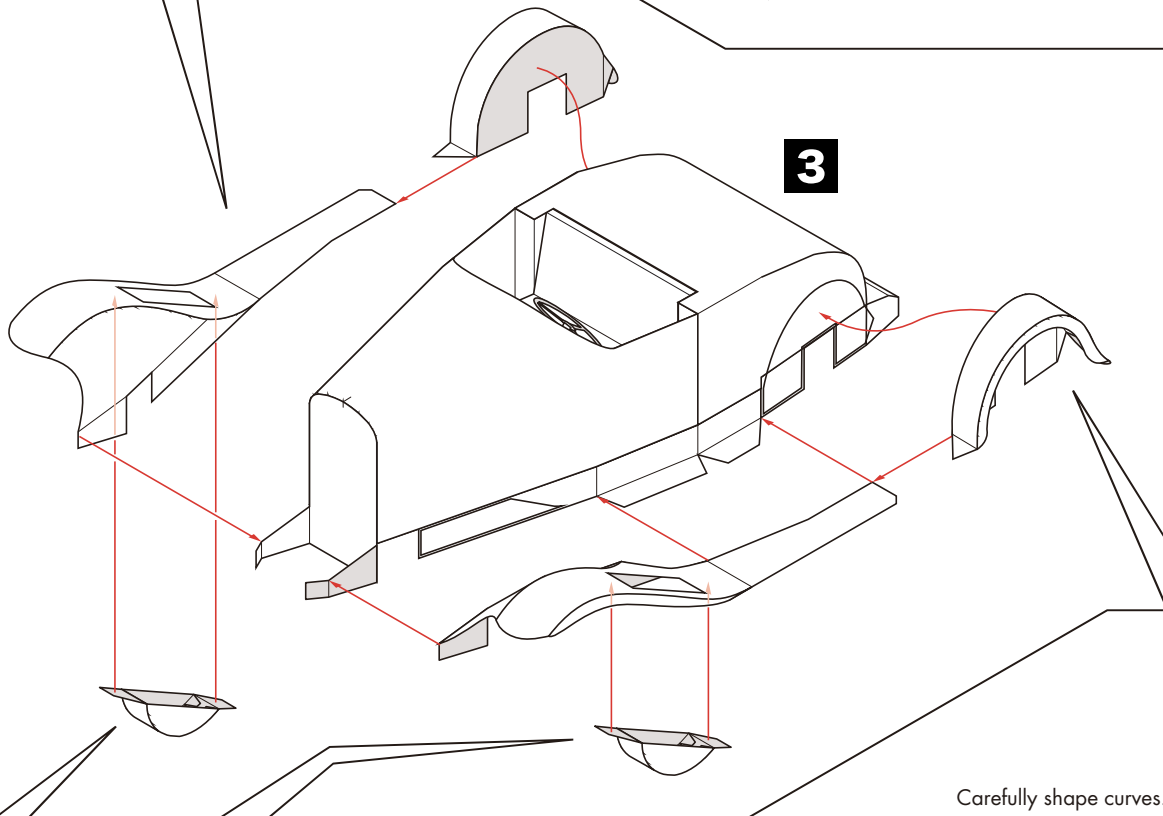
4

*Assemble right (R) and left (L) parts (diagram is R).

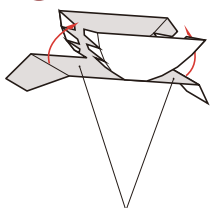
Glue this edge first.



3



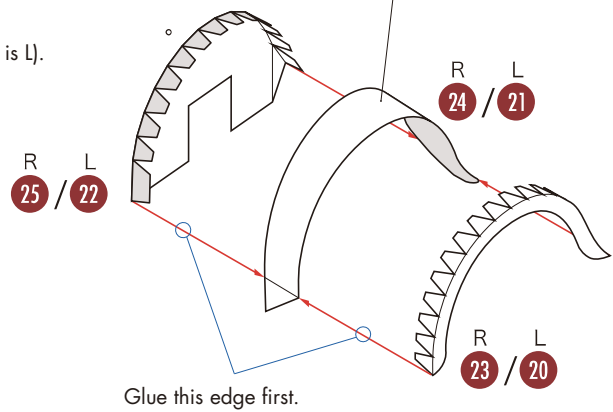
13



Carefully shape curves.

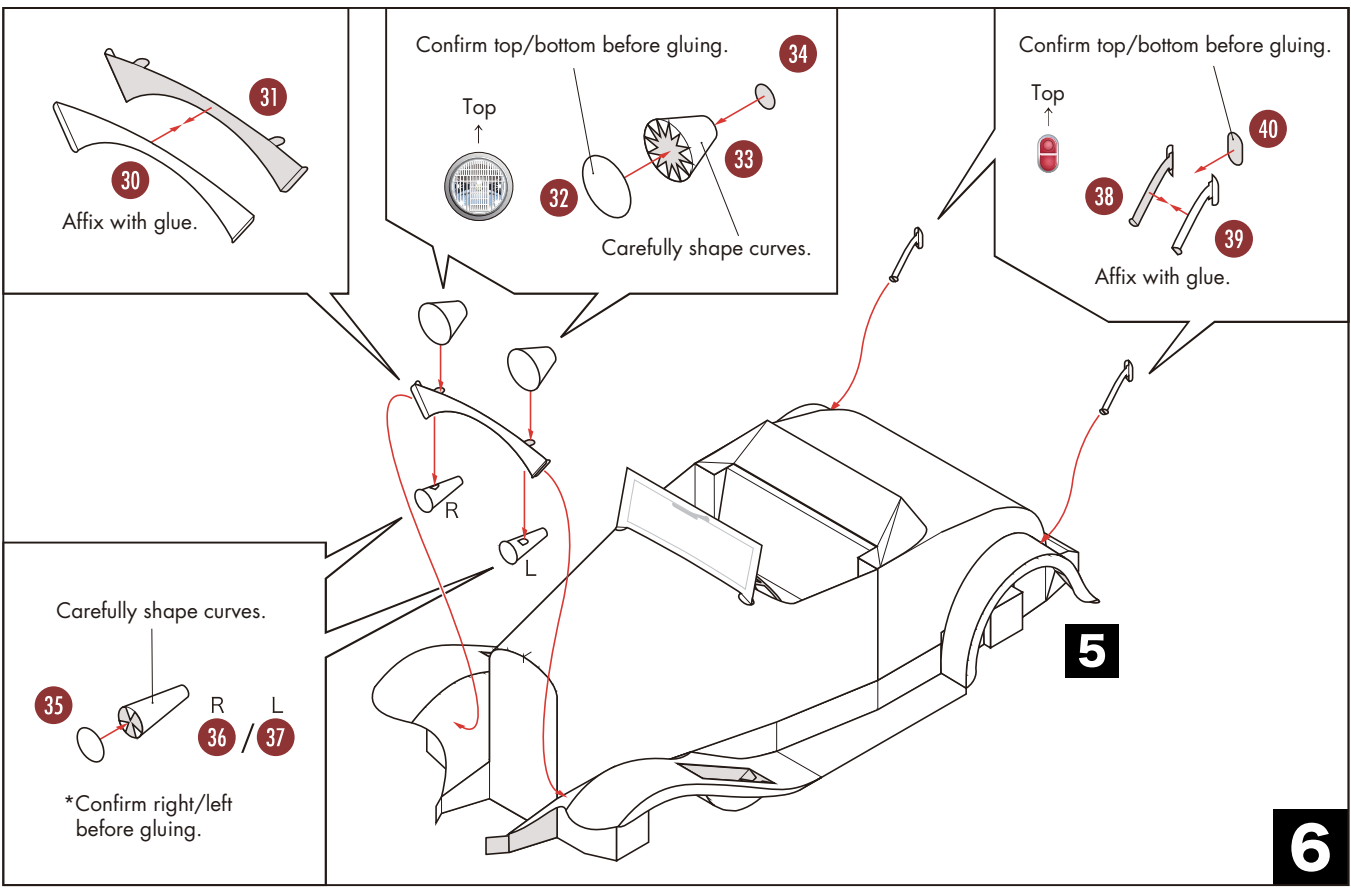
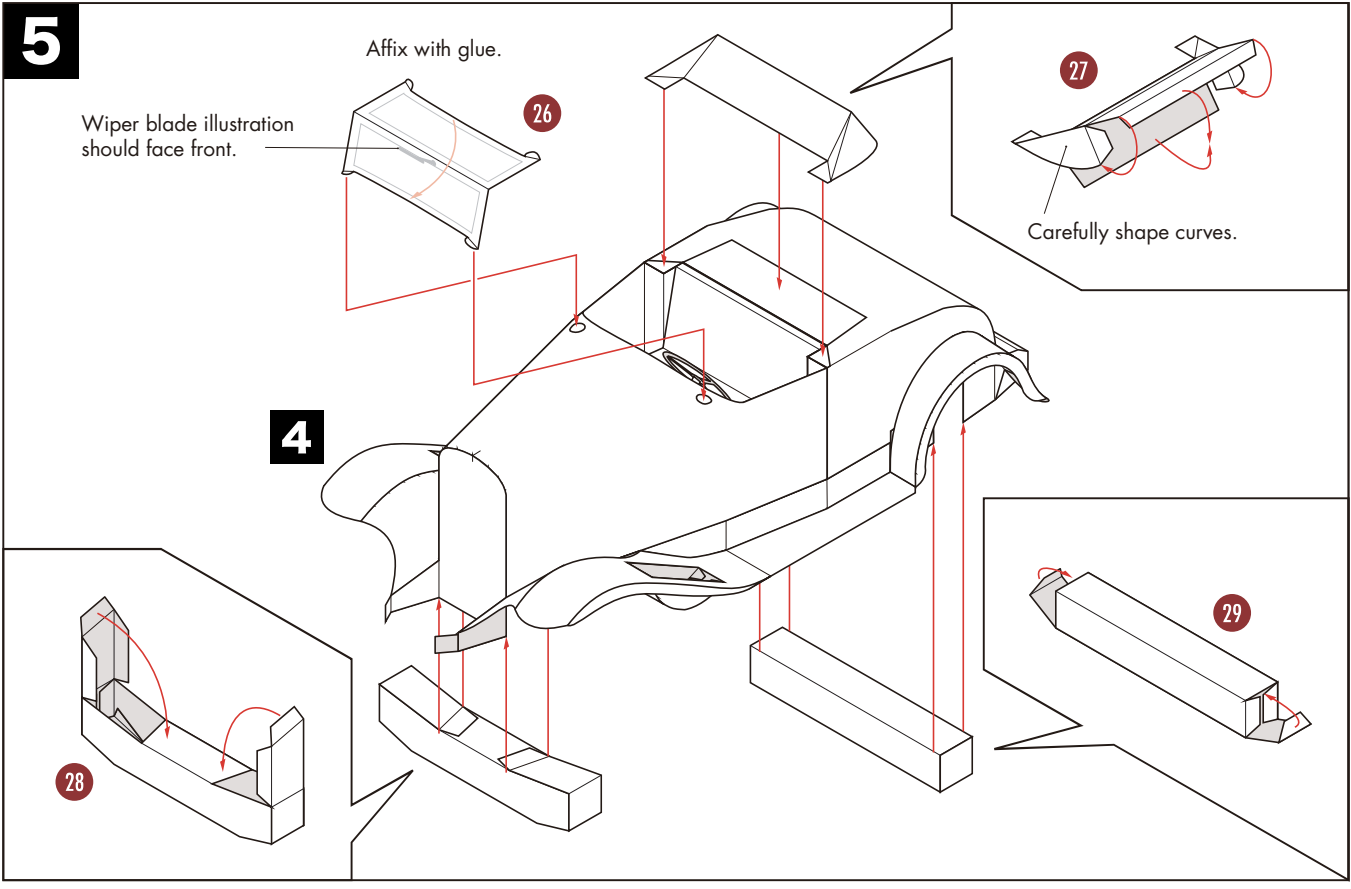
*Assemble right (R) and left (L) parts (diagram is L).

Carefully shape curves.



Glue this edge first.

5



7

Fold each in two and glue before assembling.

42 Arrow indicates 'up'.

41

Carefully shape curves.

6

Fold each in two and glue before assembling.

44

Arrow indicates 'up'.

43

Carefully shape curves.

8

Affix all four tires, adjusting to be sure they touch the ground.

7

45 47

Affix with glue.

46

R L

62 / 60

57

54

55

R L

61 / 59

* diagram is L

* Assemble right (R) and left (L) parts

R L

53 / 50

R L

51 / 48

Affix with glue.

R L

52 / 49

* diagram is L

Glue in order, 1 - 4.

58

Joint should be positioned at the top.

4

Affix outer surface of tire like a bowl, then wait until glue is dry before gently pulling the tire into shape.

3

56

Joint should be positioned at the top.

2

54

1

55

Confirm top/bottom before gluing.

Top ↑

Arrow indicates 'up'.

Pink flap indicates outer side.