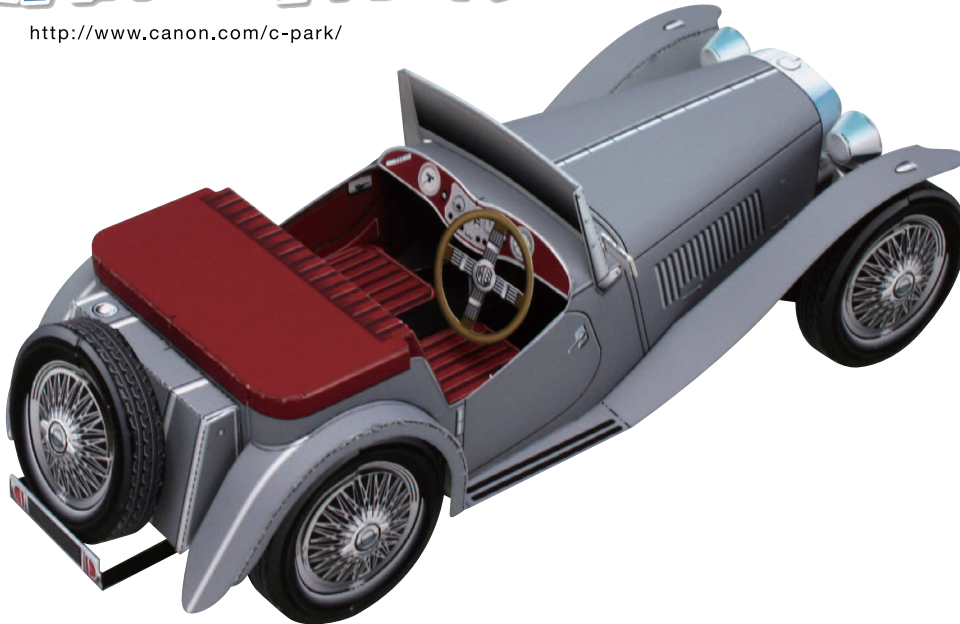


**MG
TC Midget**

**Assembly
Instructions**

CREATIVE PARK

<http://www.canon.com/c-park/>



View of completed model * This model was designed for Papercraft and may differ from the original in some respects.

Assembly tip

- Write the number of each part on the reverse side of the part in pencil upon cutting it out, to be sure you can tell which part is which later.
- Before gluing, crease the paper along mountain and valley fold lines. Trace along the folds with a ruler and an exhausted ballpoint pen (out of ink) to get a sharper fold.
- Make sure rounded sections are nice and stiff.

Tools

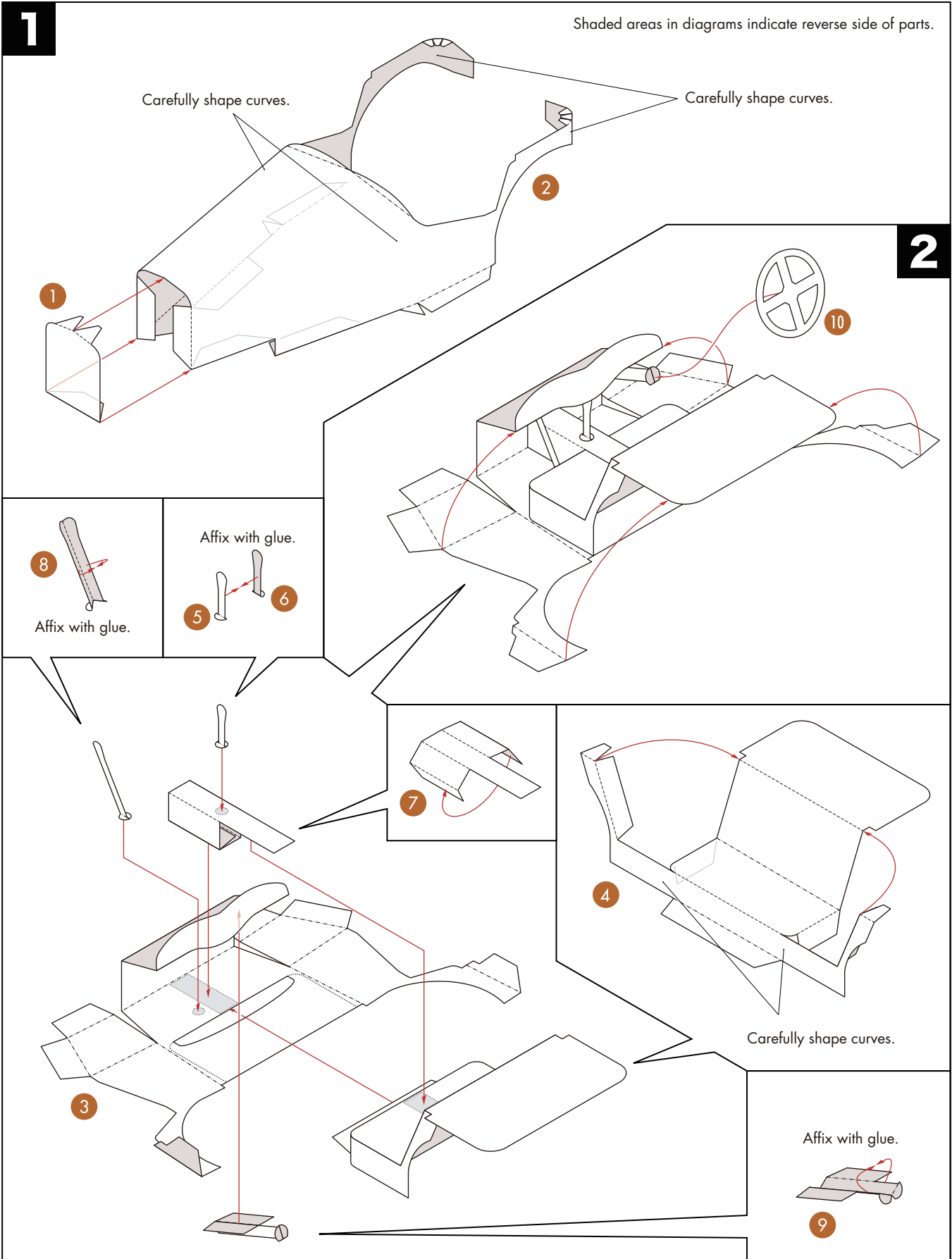
- Scissors
- Ruler, Set square
- Glue (Wood glue or craft glue recommend)
- Exhausted ballpoint pen (out of ink)
- Toothpicks (for use in applying glue)
- Tweezers (useful for handling small parts)
- Pencil

Key to symbols

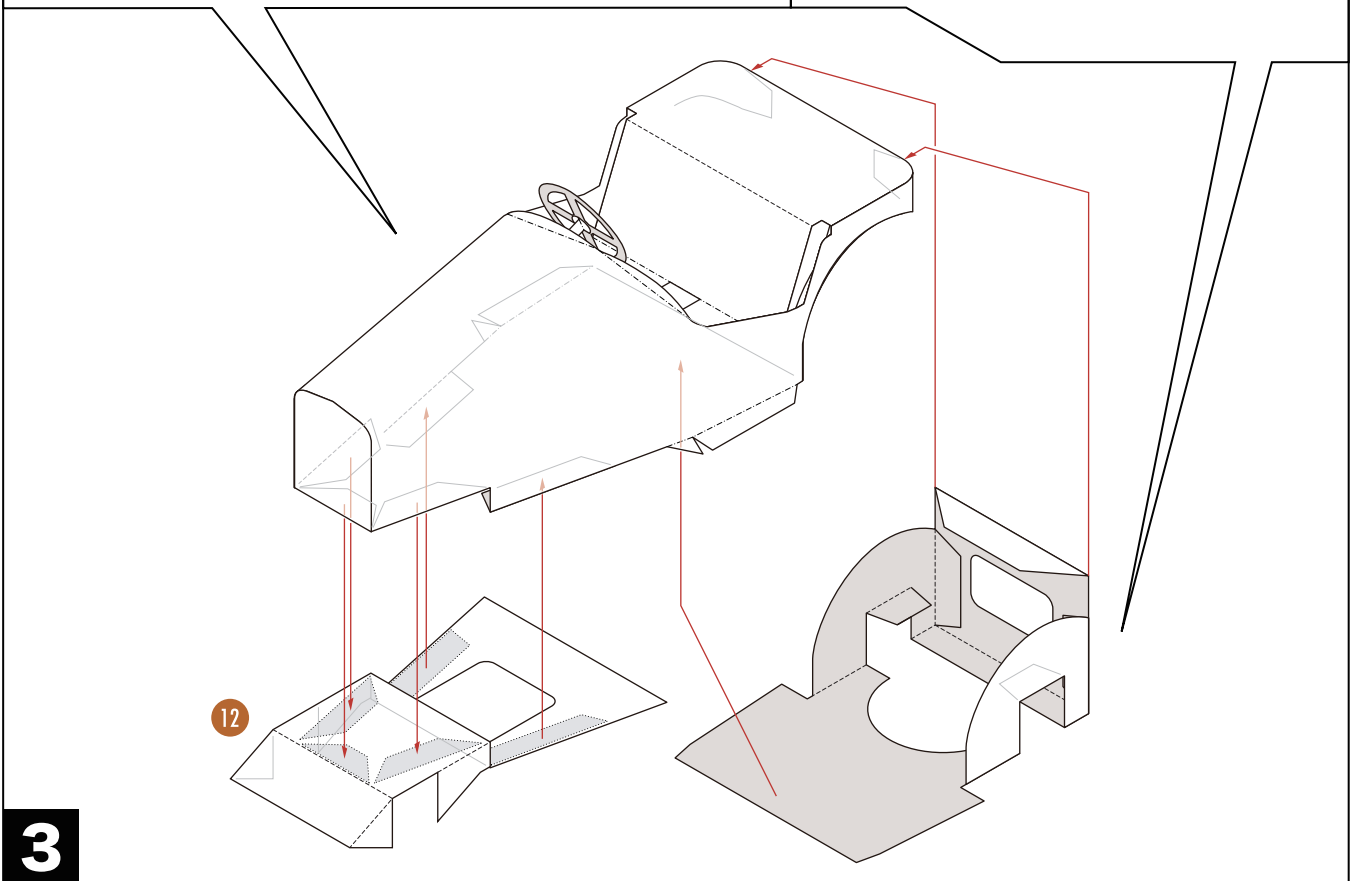
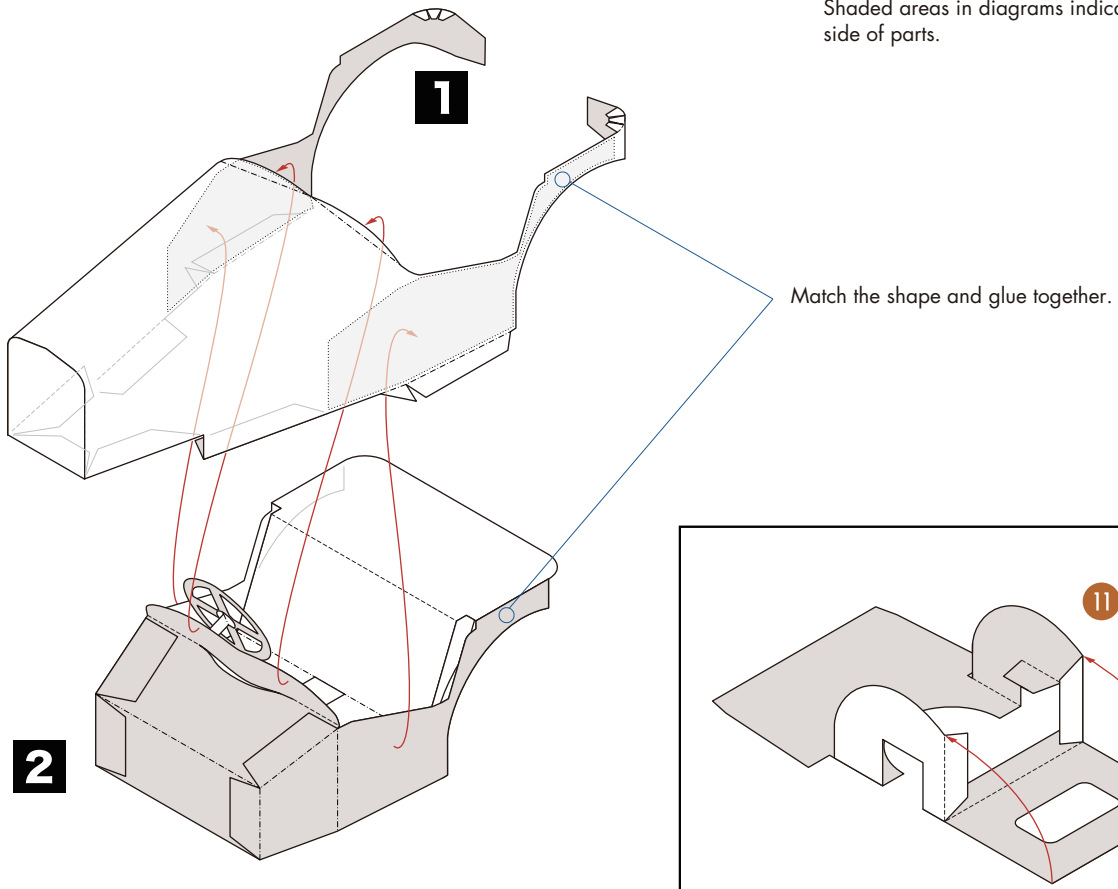
<p>----- Dotted line</p>	<p>Mountain fold</p>	<p>Fold so that the printed pattern faces outside.</p>	<p>Dots indicate parts to be glued; dotted lines indicate approximate area for application of glue.</p>
<p>- - - - - Dashed and dotted line</p>	<p>Valley fold</p>	<p>Fold so that the printed pattern faces inside.</p>	
<p>_____ Solid line</p>	<p>Cut a notch along this line.</p>	<p>Cut along the center of the line.</p>	<p>● Red dot Glue parts with the same number together.</p>
<p> Scissors mark</p>	<p>Cut a notch along the line.</p>	<p> Cut these areas out.</p>	<p>● Green dot Glue areas within the same part together.</p> <p>● Blue dot Glue to the reverse side of the specified part.</p>

■ Assembly Instructions : Six A4 sheets (No. 1 to No. 6)
Build this model with careful reference to the Assembly Instructions.

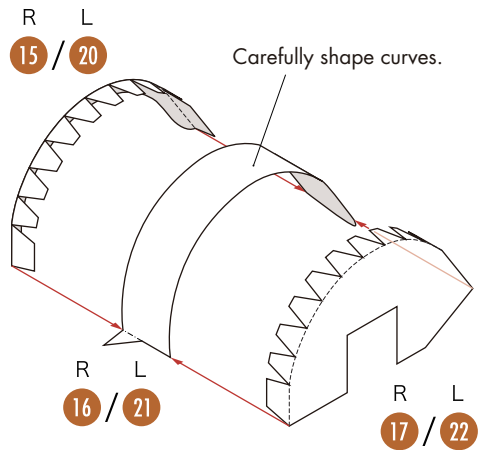
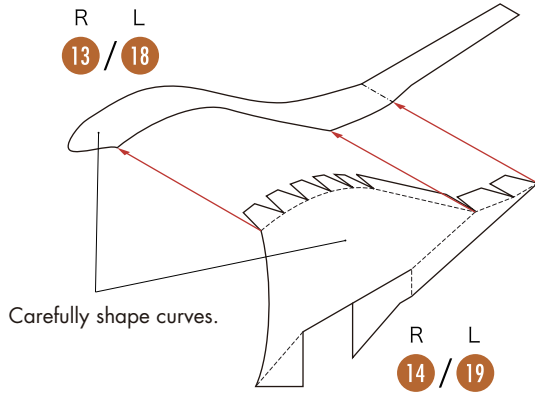
Glue, scissors and other tools may be dangerous to young children so be sure to keep them out of the reach of young children.



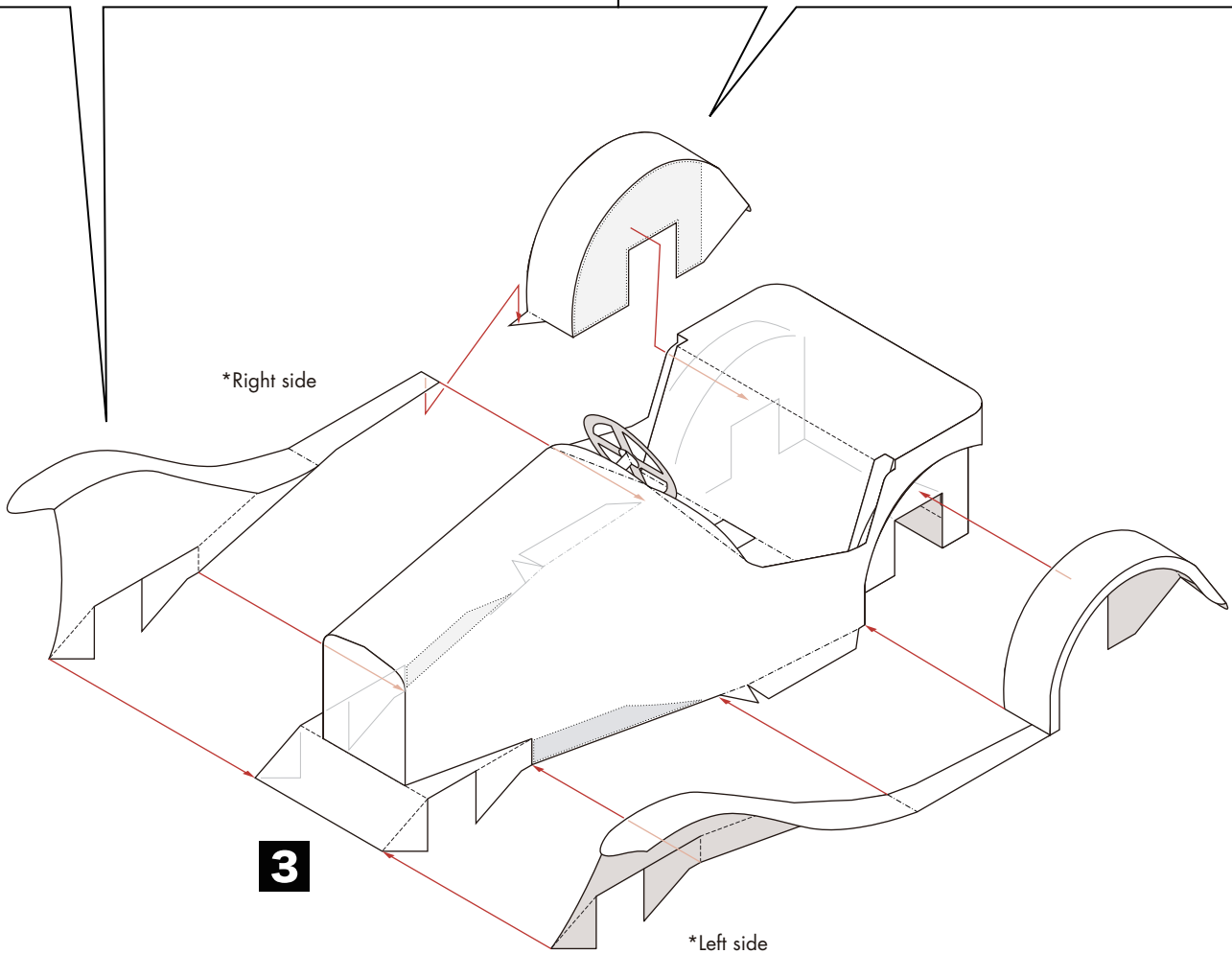
Shaded areas in diagrams indicate reverse side of parts.



*Note different numbers for left and right parts.
*Diagram is R.



*Note different numbers for left and right parts.
*Diagram is R.

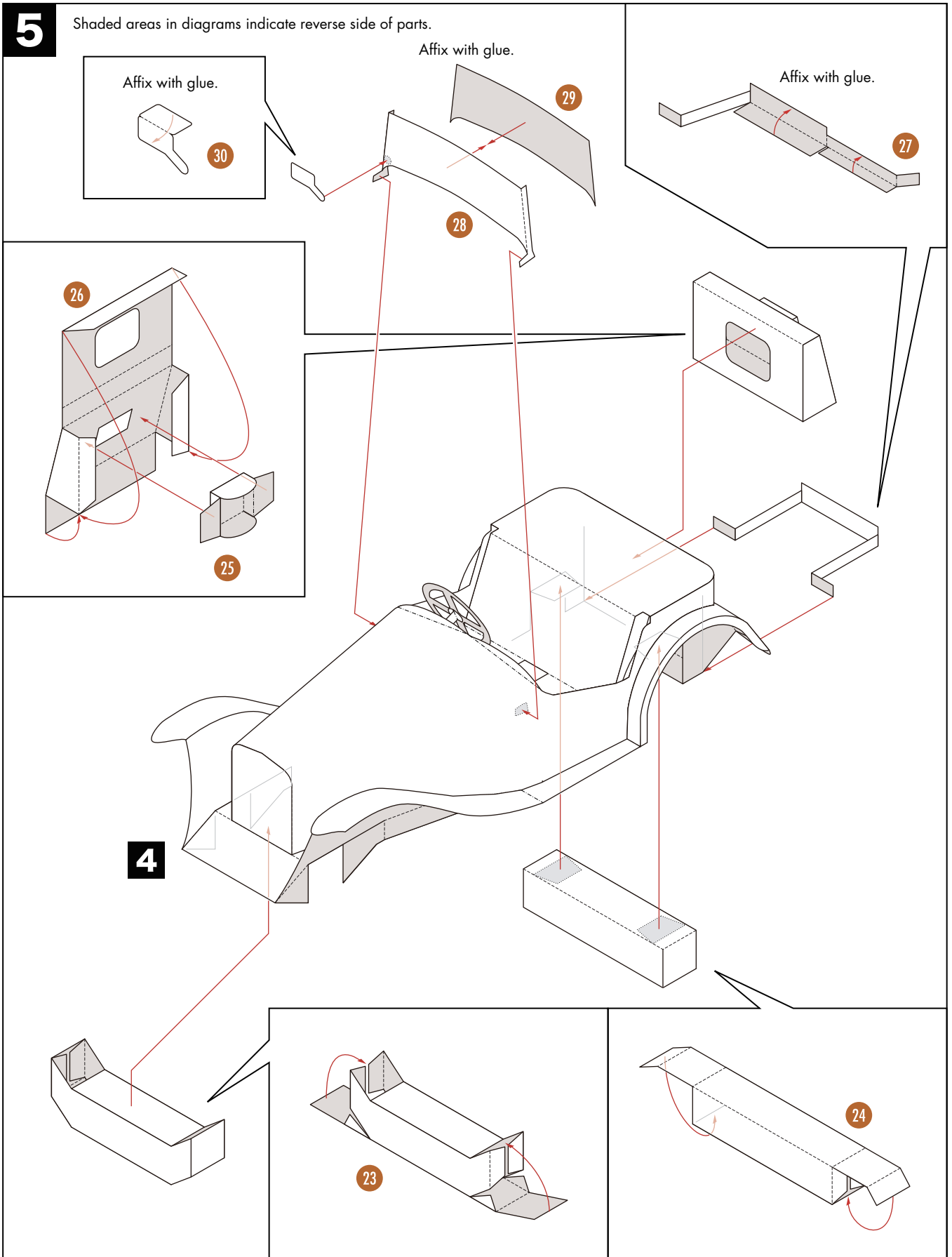


4

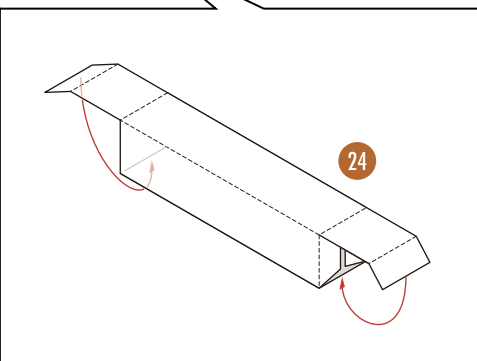
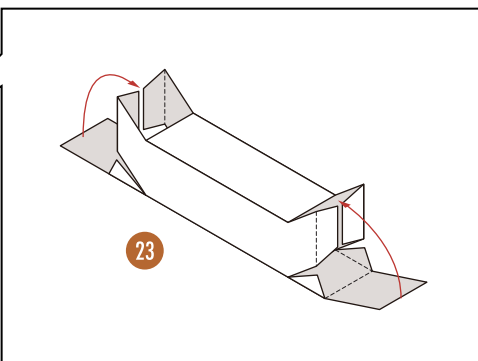
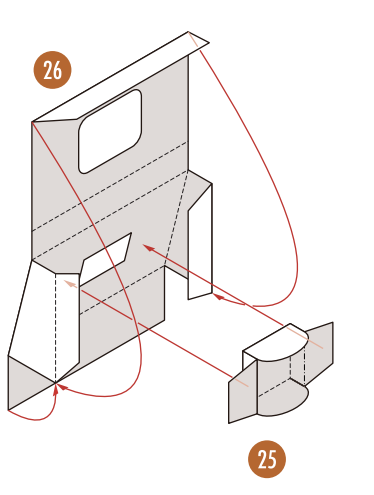
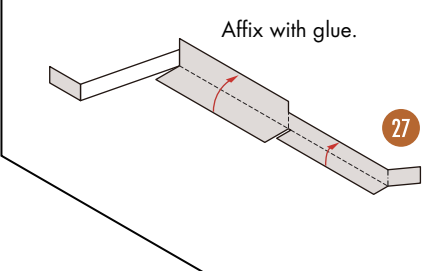
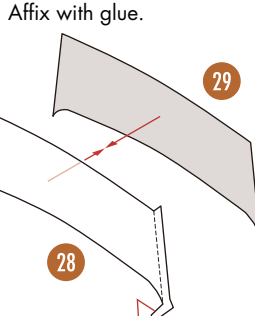
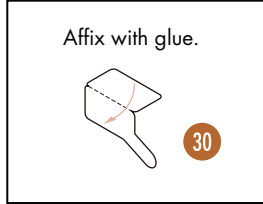
Shaded areas in diagrams indicate reverse side of parts.

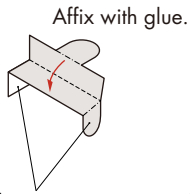
5

Shaded areas in diagrams indicate reverse side of parts.



4



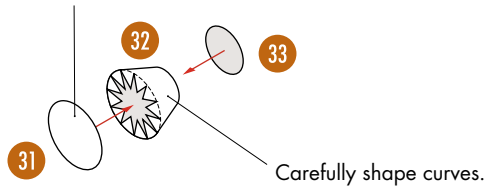


Affix with glue.

The shapes of the pasting margins of the left and right are different. Use the differences to decide the assembling locations.

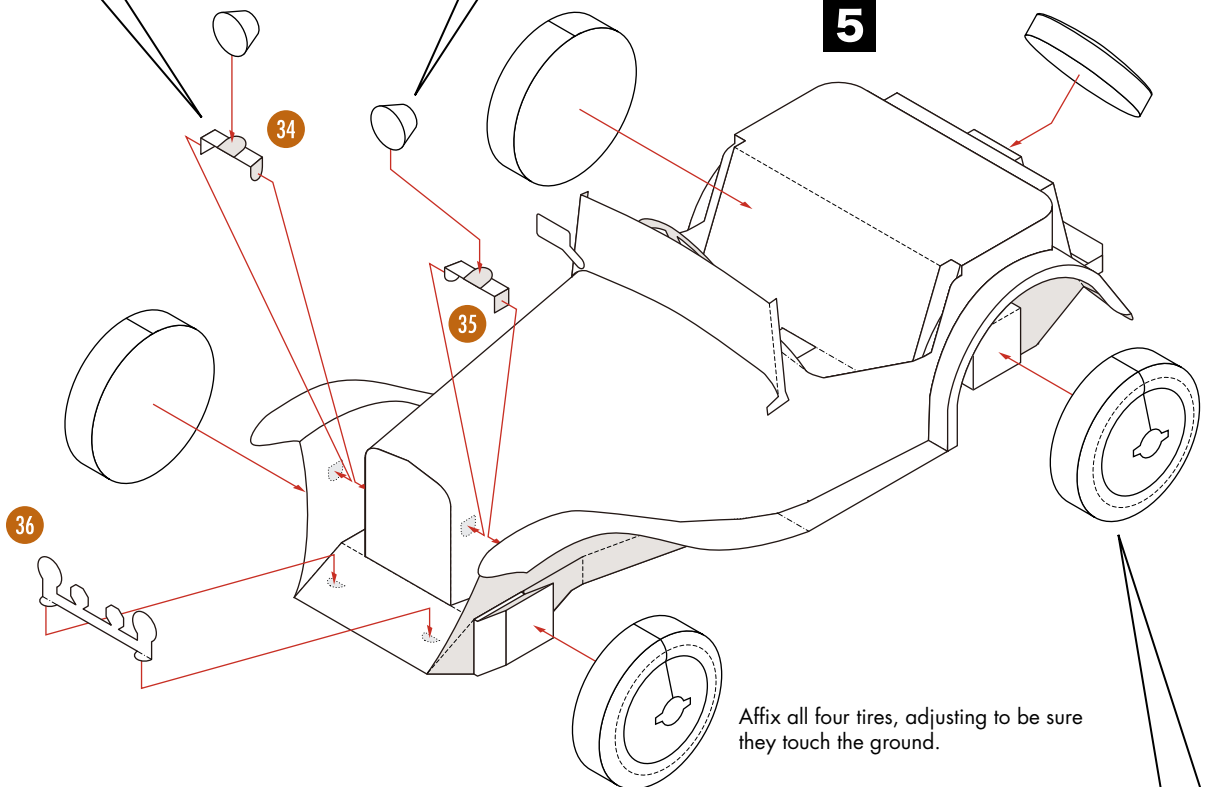
Confirm top/bottom before gluing.

Top
↑



Carefully shape curves.

6



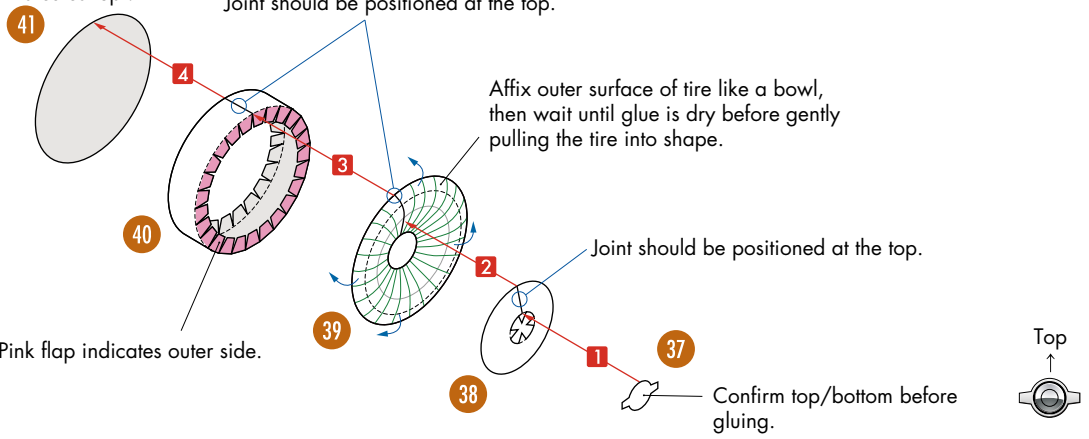
Affix all four tires, adjusting to be sure they touch the ground.

Shaded areas in diagrams indicate reverse side of parts.

Glue in order, **1 - 4**.

Arrow indicates 'up'.

Joint should be positioned at the top.



Affix outer surface of tire like a bowl, then wait until glue is dry before gently pulling the tire into shape.

Joint should be positioned at the top.

Pink flap indicates outer side.

Confirm top/bottom before gluing.

