

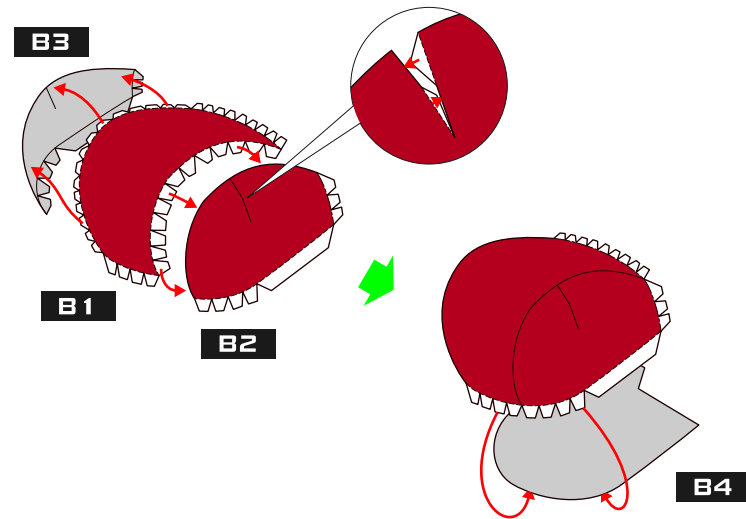
PAPER CRAFT

<http://www.canon.com/c-park/en/>

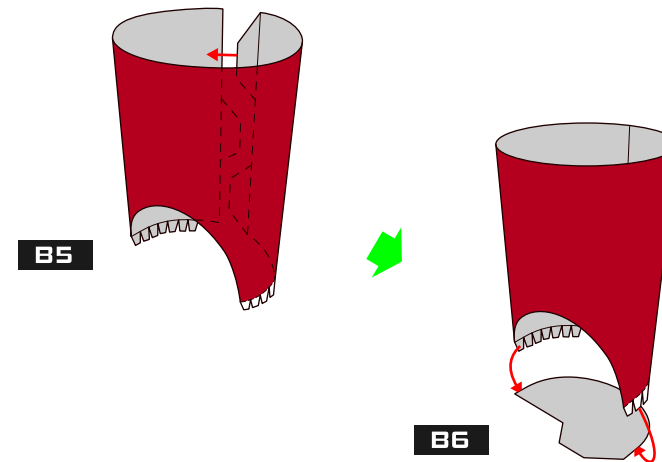


Assemble the BOOT 1

1 Assemble the toe section.



2 Assemble the ankle section.



You will need

Scissors, glue, a used ball-point pen







Assembly Tip

Trace along the folds with a ruler and a used pen (no ink) to get a sharper, easier fold.

Caution

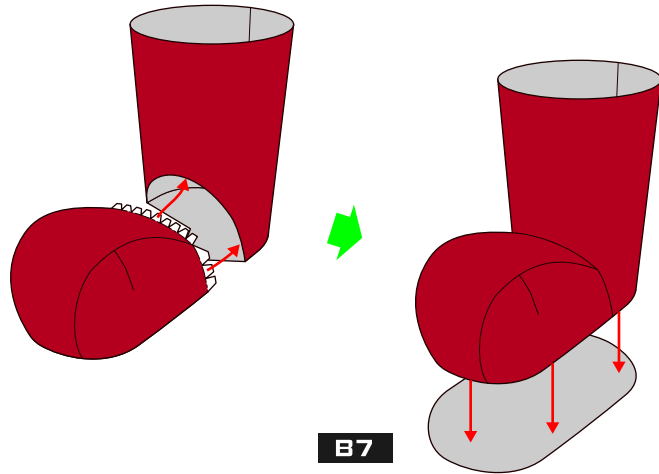
Glue, scissors and other tools may be dangerous to young children, so be sure to keep them out of the reach of young children.

Notation Key

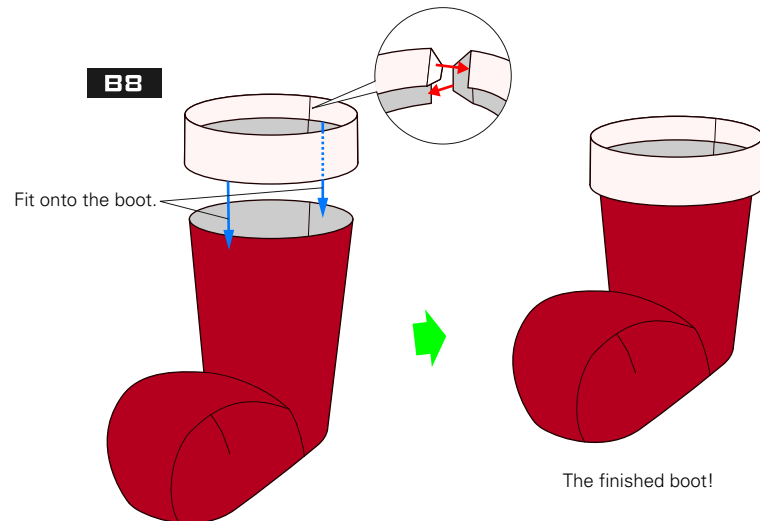
-  Mountain fold
-  Valley fold
-  Scissors line
-  Cut in line
-  Glue
-  Glue reverse side

Assemble the BOOT 2

1 Stick the toe and ankle sections together and then stick on the sole.

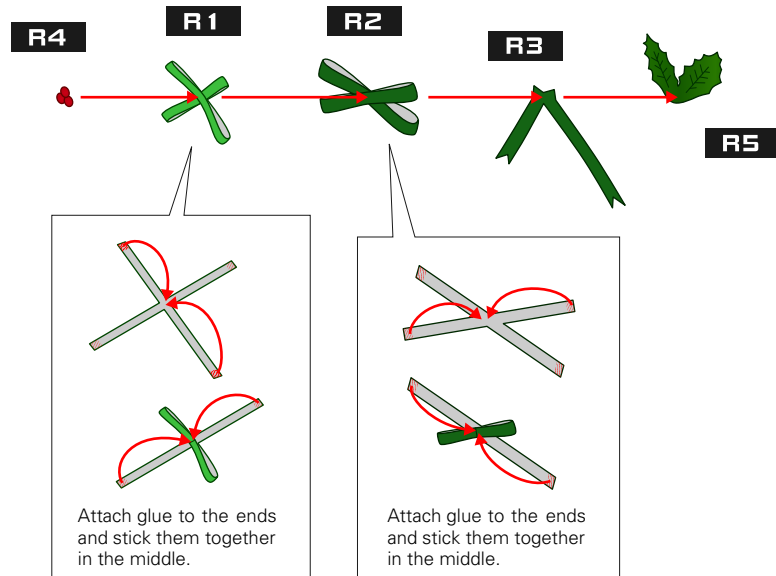


2 Make the boot top.

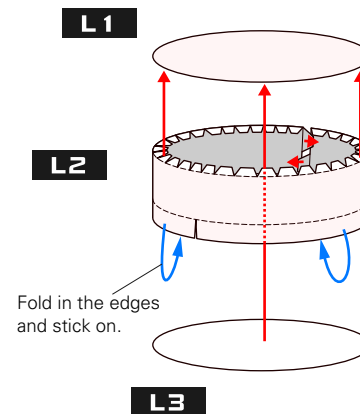


Assemble the RIBBON

1 Assemble the ribbon.



3 Assemble the lid.



2 Attach the ribbon and you're done!

